



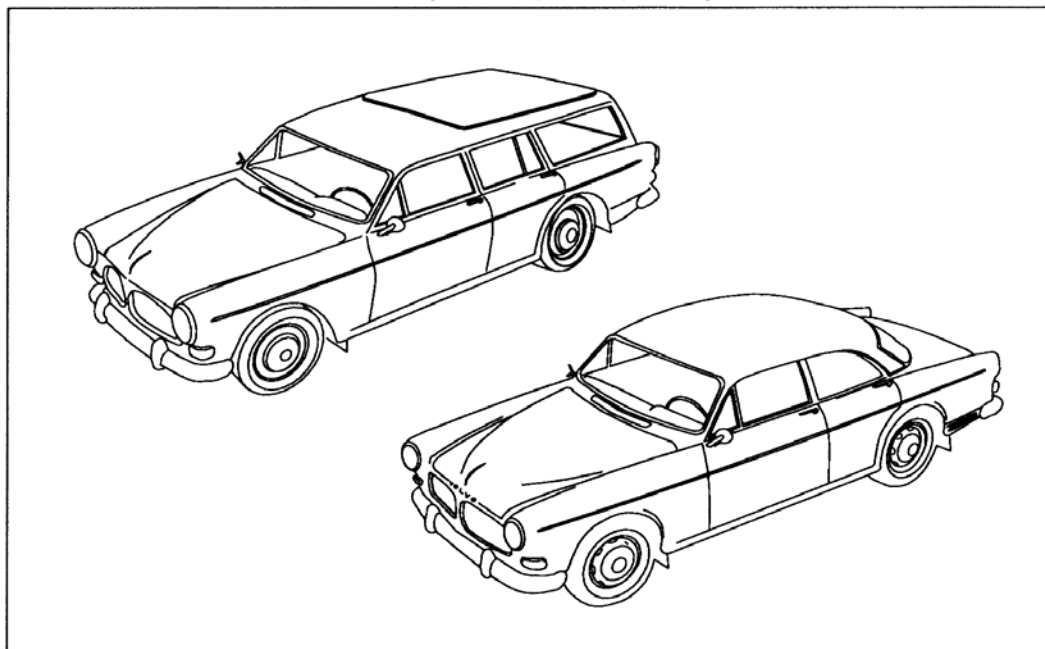
AUTOMOTIVE AB

Volvo PV444/544 P120 Amazon P1800 Specialists

CVI Automotive AB
Malnvägen 10
824 50 Hudiksvall
SWEDEN

Tel: (+46) 650 75900
Fax: (+46) 650 75901
Internet: www.cvi-automotive.se
e-mail: info@cvi-automotive.se

CATALOGUE *for genuine & remanufactured*
VOLVO AMAZON (P120,130,220) SPARE PARTS



**ALL PRICES INCLUDE VAT. NON-EU CUSTOMERS DEDUCT 20% FROM PRICES STATED
VAT REG N° SE556617846201**

CVI AUTOMOTIVE AB
BANK: SVENSKA HANDELSBANKEN
BANKGIRO: 5044-5691
POSTGIRO: 6412737-6
ORG. N° 556617-8462

CATALOGUE DATE: November 19, 2003

© 2003 CVI Automotive AB - issued on the agreement that no information contained herein may be reproduced in part or whole without the written consent of CVI Automotive AB.

2003 – Reservation for price changes



CVI AUTOMOTIVE AB

PV 444/544, P120 AMAZON & P1800 SPECIALISTS

MALNVÄGEN 10
824 50 HUDIKSVALL
SWEDEN

TEL: + 46 650 75900
FAX: + 46 650 75901

PRICE LIST, SPARE PARTS FOR VOLVO AMAZON P120 (4 dr), P130 (2 dr) & P220 (STATION WAGON)

(RESERVATION FOR PRICE CHANGES 19 - 11 - 2003)

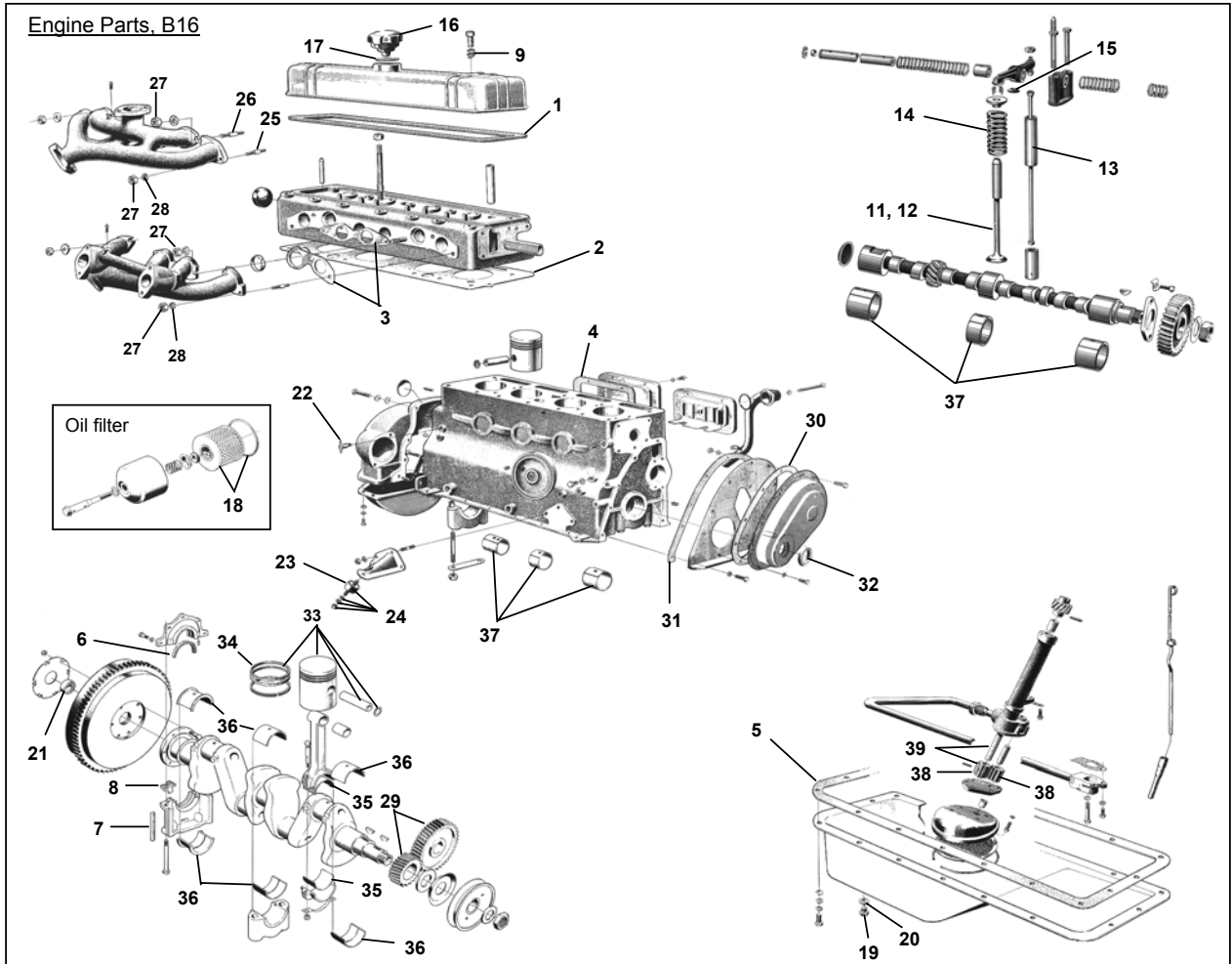
- Parts are Volvo genuine (or from Volvo's genuine suppliers) if Volvo's part number is used
- "R" means that the item is remanufactured. **NOTE! Please include the "R" when placing orders.**
- "pc." means price per piece. "pr." means price per pair.
- "B" or "S/H" means that the item is used (not new): please call for further details
- "CH" means chassis number "NLA" means no longer available
- **PRICES ARE IN SWEDISH KRONOR (SEK) & INCLUDE VAT.**

CUSTOMERS FROM OUTSIDE THE EU CAN DEDUCT 20% FROM PRICES STATED.

- **NOTE!! MOST IMPORTANT! We have a minimum order value of SEK 1600 (excluding VAT and freight)**
- **VOLVO SPARE PARTS CATALOGUES** (Highly recommended!)
(Every single part on your car illustrated and part numbered!)
 - B16: 420 kronor
 - B18: 485 kronor
 - B20: 420 kronor

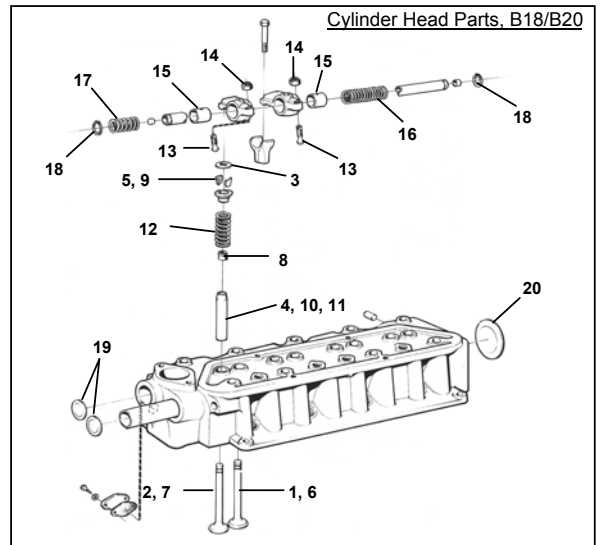
CONTENTS

Page 1:	Engine Parts, B16	Page 26:	Rear axle suspension (Sedan)
Page 2:	Engine Parts, B18 & B20	Page 27:	Rear axle suspension (P220 wagon)
Page 3:	Engine Parts, B18 & B20 (cont'd.)	Page 28:	Front suspension
Page 4:	Engine Parts, B18 & B20 (cont'd.)	Page 29:	Steering system
Page 5:	Fuel pumps and repair kits	Page 30:	Brake system (B16/early B18) (Wagner Lockheed)
Page 6:	Zenith (single) carburettors: Air filters: Throttle linkage (B16A & B18A (up to 1966))	Page 31:	Brake system (later B18) (Girling disc brake system)
Page 7:	Stromberg carbs. (B18A/B20A (1967-1970)): Air filters & throttle linkage	Page 32:	Brake system (late B18) (1968 dual-circuit system)
Page 8:	SU carburettors (B16B engine): Throttle linkage: Choke control: Filters	Page 33:	Brake system (B20)
Page 9:	SU carburettors (B18B/D & B20B engines)	Page 34:	Body panels: Mudflaps
Page 10:	Throttle linkage: Choke control: Filters	Page 35:	Body panels (illustration)
Page 11:	Cooling system	Page 36:	Rubber seals: Badges
Page 12:	Ignition system, B16 & B18/B20	Page 37:	External trim
Page 13:	Distributor parts for B18 and B20	Page 38:	Bumpers: Grilles: Hubcaps
Page 14:	Exhaust system	Page 39:	Interior: Dash padding: Floor mats & accessory mats
Page 15:	Charging system	Page 40:	Door panels (P130 2-dr. cars) Rear side panel upholstery (2 -dr.) Headlinings (P130 2-dr.)
Page 16:	Wiring harnesses: Instruments & gauges: Fuse boxes/fuses: battery & earth leads	Page 41:	Door panels (P120 4-dr. cars) Headlinings (P120 4-dr.)
Page 17:	Switches/relays/horns Speedo cables: Bonnet opener cable	Page 42:	Door panels (P220 station wagon) Headlinings (P220 wagon)
Page 18:	Lighting, front and rear	Page 43:	Seat cover upholstery, '65-'70 Seat webbing
Page 19:	Reflector on rear wing: Bootlid handle and lens, sedan: Interior lighting	Page 44:	Door components & guide channels: Locks and lock sets:
Page 20:	Windscreen wipers and washers	Page 45:	Door & wing mirrors: Windscreens
Page 21:	Clutch: Clutch hydraulics (B16/B18): Clutch cable (B20)	Page 46:	Heater system
Page 22:	Gearbox: Propshaft and universal joints	Page 47:	Safety-belts: Decals (stickers) Literature: Spare Parts catalogues
Page 23:	Overdrive Parts, "D" type (B16/B18)	Page 48:	Accessories
Page 24:	Overdrive Parts, "J" type (B20)	Page 49:	How to order
Page 25:	Rear axle bearings & seals: brake drums		

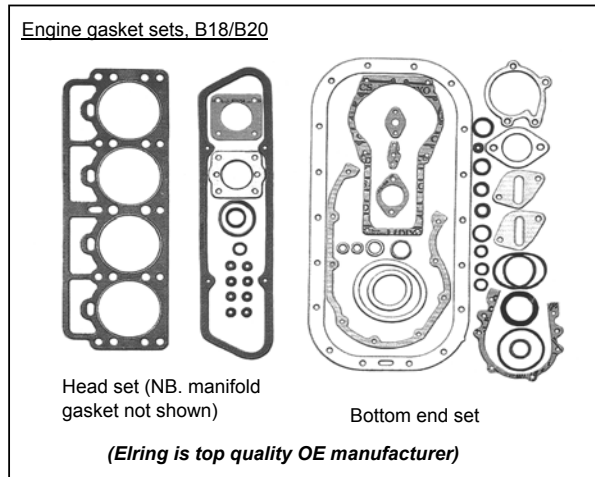


Price (incl. VAT)				Price (incl VAT)			
54971	Head set, B16A	(genuine)	495	191163	(25.)	Manifold stud (40 mm)	32
54970	Engine gasket set	(repro)	625	191162	(26.)	Manifold stud (42 mm)	35
403087	(1.) Rocker cover gasket		68	17624	(27.)	Nut (brass)	14
403808	(2.) Cylinder head gasket		220	955894	(28.)	Washer	2
275401-1	(3.) Exhaust & inlet manifold gasket set (R)		185	418121	(29.)	Timing gear set (gears, gaskets, felt seal)	1070
275401	(3.) Exhaust & inlet manifold gasket set (genuine)		240	403075	(30.)	Timing cover gasket (front)	75
403052	(4.) Cork gasket, for inspection covers		35	403074	(31.)	Timing cover gasket (rear)	75
403017	(5.) Sump gasket		78	190537	(32.)	Felt seal	32
190219	(6.) Felt ring (2 per engine)		17 pc.	275112	(33.)	Piston (with rings), standard size (R)	Call
403090	(7.) Seal fillet		32 pair	275121		Piston (with rings), + 0.020" (R)	Call
403887	(8.) Gasket		10	275122		Piston (with rings), + 0.030" (R)	Call
190817	(9.) Rubber o-ring		14	275215	(34.)	Piston ring set, std size (1 engine set) (R)	575
70792	(10.) Core plug		18	275217		Piston ring set, + 0.020" (1 eng. set, R)	575
403881	(11.) Inlet valve		165	275218		Piston ring set, + 0.030" (1 eng. set, R)	575
403486	(12.) Exhaust valve (R)		165	275219		Piston ring set, + 0.040" (1 eng. set, R)	Call
403390	(13.) Valve guide (R)		75	276658	(35.)	Big end bearing set (standard size)	580
403717	(14.) Valve spring		55	276659		Big end bearing set (- 0.010")	580
405357	(15.) Protector ring, above valve		16	276660		Big end bearing set (- 0.020")	580
403515	(16.) Oil filler cap		175	276661		Big end bearing set (- 0.030")	640
940096	(17.) Seal under cap		20	276662		Big end bearing set (- 0.040")	640
403984-1	(18.) Oil filter insert (German-made)		95	276686	(36.)	Main end bearing set (standard size)	710
190798	(19.) Oil drain plug		32	276687		Main end bearing set (- 0.010")	710
18818	(20.) Copper gasket		9	276688		Main end bearing set (- 0.020")	710
11009	(21.) Gearbox input shaft support bearing (R)		55	276689		Main end bearing set (- 0.030")	780
82744	(22.) Drain cock, on engine block		110	276690		Main end bearing set (- 0.040")	780
653190	(23.) Engine (& gearbox) mounting (genuine)		140	403110/11/12		Bush set for camshaft (37.)	325
273060-1	(24.) Engine (and gearbox) mounting kit (R) (includes nuts/washers for 1 mounting)		90 pc.	418103	(38.)	Oil pump gears (poss. to remanufacture)	Call
				419018	(39.)	Drive shaft for oil pump gear	690

419368	(1.) Inlet valve, B18	110
419292	(2.) Exhaust valve, B18	120
415424	(3.) Protector seal, above valves, B18	15 pc.
415424-1	Protector seal set (8 pieces)	95 set
415266	(4.) Valve guide, B18 (inlet/exhaust)	48
415035	(5.) Valve collet, B18 (2 per valve)	15 pc.
419639	(6.) Inlet valve, B20 (42 mm, std.)	165
419766	Inlet valve, 44 mm	125
419640	(7.) Exhaust valve, B20 (35 mm, std.)	145
CVI-5406 (HD)	Exhaust valve, 37 mm (heavy duty)	185
419702	(8.) Valve stem seal, B20 valves (R)	12
8291532	Hardened valve seat, for lead-free conv'n.	110 pc.
419643	(9.) Valve collet, B20 (2 per valve)	15 pc.
419652	(10.) Valve guide, B20, inlet	45
419653	(11.) Valve guide, B20, exhaust	45
418737	(12.) Valve spring, B18/B20 (genuine)	55 pc.
418737 (D)	Double valve spring (competition use only)	210 pc.
418737 (DB)	Washer for double valve spring	68 pc.
418286	(13.) Tappet adjuster screw, B18/B20	40
921781	(14.) Lock nut, tappet adjuster	4
418297	(15.) Rocker arm bushing	46
418426	(16.) Spring (3 per car)	73
411140	(17.) Spring (2 per car)	NLA
914456	(18.) Circlip	3

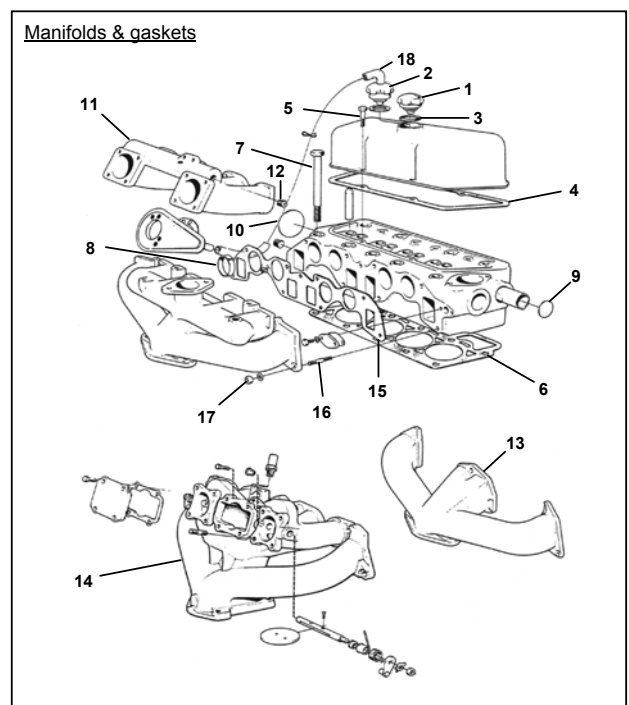


418717	(19.) Core plug (35 mm)	(ref: 463903)	18
418718	(20.) Core plug (45 mm)	(ref: 463904)	18



275411	Head set, B18 (incl. manifold gasket) Eling	495
275411-1	Head set, B18 (incl. manifold gasket) (R)	385
275535	Head set, B20A (incl. manifold gasket) Eling	535
275535-1	Head set, B20A (incl. manifold gasket) (R)	385
275536	Head set, B20B (incl. manifold gasket) Eling	585
275439	Manifold gasket set, '61-'66 (ref: 270657)	195
275480	Manifold gasket set, '67-'70 (ref: 271339)	195
275439-1	Manifold gasket set, '61-'66 (R)	150
275480-1	Manifold gasket set, '67-'70 (R)	150
	(These include manifold gasket + downpipe gasket)	
270628	Bottom end set, B18/B20, gen. (ref: 275494)	370
270628-1	Bottom end set, B18/B20 (non-genuine)	265
275411/270628	Engine gasket set, B18 (genuine)	880
GaskB18	Engine gasket set, B18 (non-genuine)	560
275535/270628	Engine gasket set, B20A (genuine)	855
GaskB20A	Engine gasket set, B20A (non-genuine)	560
275536/270628	Engine gasket set, B20B (genuine)	925
GaskB20B	Engine gasket set, B20B (non-genuine)	560

403515	(1.) Oil filler cap, without vent	175
418954	(2.) Oil filler cap, with vent	250
940096	(3.) Seal, under cap	20
419678	(4.) Rocker cover gasket, B18/B20	55
950045	(5.) Screw for rocker cover (4 per car)	4 pc.
418990	(6.) Cylinder head gasket, B18 (Payen)	185
460552-R	Cylinder head gasket, B20A	165
419310-R	Cylinder head gasket, B20B	165
419310-HD	Cylinder head gasket, B20 (steel reinforced) (use for bore up to 2.2 liter as well)	510
191523	(7.) Bolt for cylinder head	42
418408	(8.) Guide sleeve	85
418717	(9.) Core plug (35 mm) (ref: 463903)	18 pc.
418718	(10.) Core plug (45 mm) (ref: 463904)	18 pc.
418910 B	(11.) Inlet manifold, B18B/D (good 2nd-hand)	1125
952075	(12.) Plug on manifold	34
418405	(13.) Exhaust manifold, B18B/D (single downpipe)	1560
419561	(14.) Inlet and exhaust manifold, B20B	2750
418870	(15.) Manifold gasket (genuine)	155
418870-1	(14.) Manifold gasket (repro)	120
953238	(16.) Manifold stud (38 mm)	12
953241	Manifold stud (45 mm)	15
953243	Manifold stud (50 mm)	12
955826	(17.) Nut for studs	3
419405	(18.) Hose, B18B/D '61-'66 w. positive crank ventn.	Use 460003
460003	Hose, B20 crankcase ventilation (R)	68

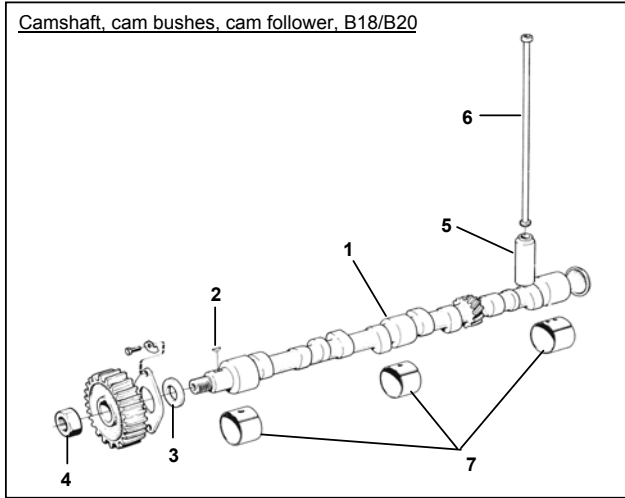


Camshafts, Cam followers (lifters):

(Note: new cams should always be fitted with new followers - and vice versa)

460490	(1.)	Camshaft, type "A"	(R)	910	1218580	Camshaft, type "D" (genuine)		1450
1218579		Camshaft, type "C" (genuine: ref 418707)		1450	1218580-R	Camshaft, type "D"	(R)	910
1218579-R		Camshaft, type "C"	(R)	910	1218581-R	Camshaft, type "K"	(R)	950

Camshaft, cam bushes, cam follower, B18/B20



910118	(2.)	Woodruff key for camshaft		25
418363	(3.)	Spacer ring, behind camshaft		82
150169	(4.)	Camshaft nut		65

418423-1	(5.)	Cam follower	(repro)	73
----------	------	--------------	---------	----

NB! Warranty for cams and followers is only given when both items are purchased - and fitted - at the same time!

418304	(6.)	Pushrod		Call
--------	------	---------	--	------

430119	}	430119-1	}	Camshaft bearing set, standard sizes	245
418249					
418250					

Camshaft Kits (include cam & 8 followers + assembly grease):

275761-R1	Camshaft kit, type "A"	(R)	1290
275762	Camshaft kit, type "C"	(genuine)	1850
275762-1	Camshaft kit, type "C"	(R)	1290
275763-1	Camshaft kit, type "D"	(R)	1290
275764-1	Camshaft kit, type "K"	(R)	1330

Timing gears, ancillaries and gear sets:

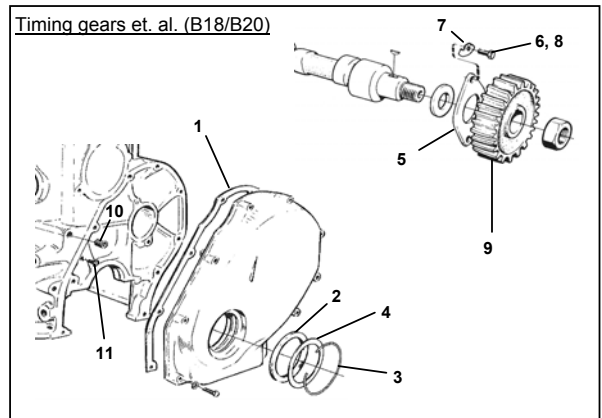
418272	(1.)	Timing cover gasket (ref: 1378907)	48
418622	(2.)	Felt seal, in timing cover	30
418624	(3.)	Circlip	65
418626	(4.)	Retainer ring	55
419681	(5.)	Thrust flange behind cam gear (bronze)	95
955512	(6.)	Screw, early type	Use lock screw 943455
418422	(7.)	Lock washer, early type	Use lock screw 943455
943455	(8.)	Lock screw for thrust flange	(2/car) 12 pc.

270690-9	(9.)	Timing gear set (fiber)	(genuine) 1445
270690-R1	(9.)	Timing gear set (fiber cam/crank gear only)	865
270690 (R)		Timing gear set, complete (fiber type)	1195

(NB. Crankshaft gear not shown in this illustration - see page 4)

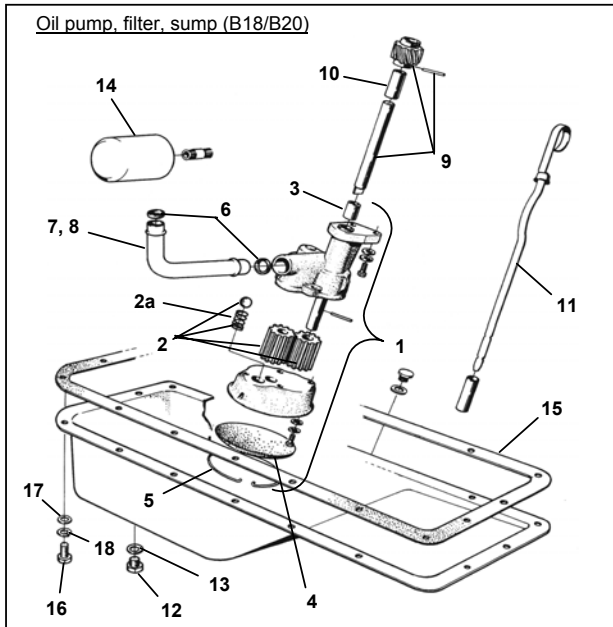
271944		Timing gear set (current genuine - all-steel)	1450 set
271944D		Timing gears only, all-steel	1250 pair
952075	(10.)	Oilway plug	34
418416	(11.)	Oil feed nipple	130

Timing gears et. al. (B18/B20)



Oil Pump, Oil Filter, Sump Plug and Gasket:

Oil pump, filter, sump (B18/B20)

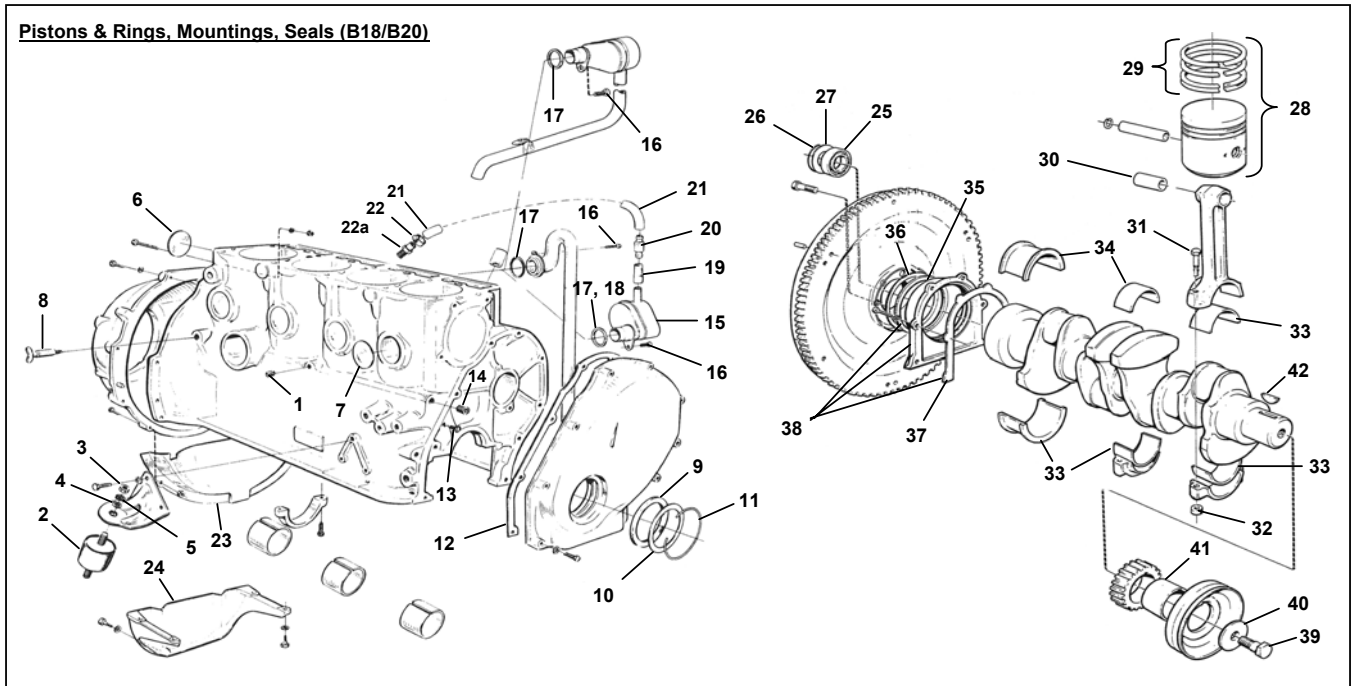


1218706 (AR)	(1.)	Oil pump, made of aluminium (as original)	785
1218706 (SR)		Oil pump (made of steel)	975
RV-510	(2.)	Repair kit, for B20 type oil pump	325
430161	(2a.)	Return spring, oil pump	40
18130	(3.)	Bushing	36
418288	(4.)	Strainer for oil pump	260
418289	(5.)	Lock ring, for strainer	47
418360	(6.)	Rubber seal for oil delivery pipe	25
418627	(7.)	Oil delivery pipe, B18	Call
419539	(8.)	Oil delivery pipe, B20	295

418277	(9.)	Distributor drive gear, with shaft	1535
418277-B	(9.)	Distributor drive gear (good used)	600
418251	(10.)	Bush for drive gear	203
418643	(11.)	Oil dipstick	Call
190798	(12.)	Oil drain plug	32
18818	(13.)	Copper gasket	9
672910-1		Oil pressure sender (repro)	44
418432	(14.)	Oil filter (genuine)	75
418432-1		Oil filter (repro)	60

418262	(15.)	Sump gasket	85
955523	(16.)	Bolt for sump attachment (length = 16 mm)	3
955524	(16.)	Bolt for sump attachment (length = 19 mm)	3
955894	(17.)	Flat washer	2
941907	(18.)	Curved spring washer	2

Pistons & Rings, Mountings, Seals (B18/B20)



(Note. Pistons are sold in singles: ring sets are for 1 engine)

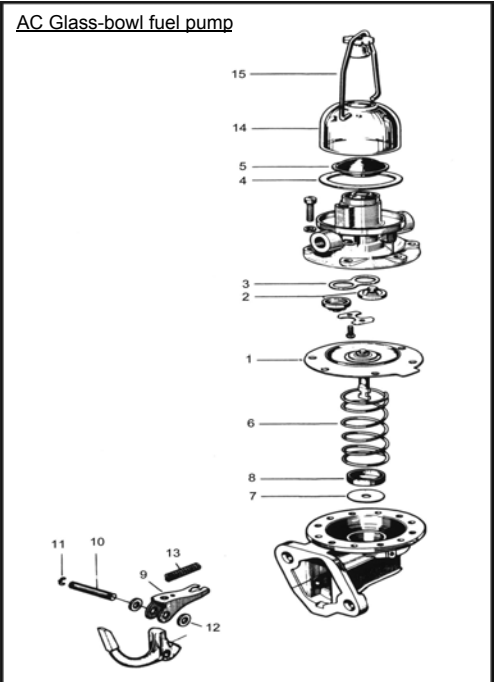
277016	Engine paint, red (250 ml can)	(R)	140	275193	(28.) Piston with rings, B18, std.	(Mahle)	655	
672910-1	(1.) Oil pressure sender	(R)	(ref: 1606877)	44	275194	Piston with rings, B18, + 0,020"	(Mahle)	655
653190	(2.) Engine (& gearbox) mount, 121/122S		140	275195	Piston with rings, B18, + 0,030"	(Mahle)	655	
273060-1	Engine & g/box mounting kit	3 per car (R)	90	275196	Piston with rings, B18, + 0,040"	(Mahle)	655	
	(includes nuts/washers for 1 mounting)			275282	(29.) Piston ring set, B18, std.	(genuine)	660	
666890	(2.) Engine mounting, for 123 GT & B20B (gen.)		155 pc.	275282-R	Piston ring set, B18, std.		560	
940157	(3.) Nut for engine mounting		5 pc.	275283	Piston ring set, B18, + 0,020" (Perfect Circle)		560	
955896	(4.) Washer		2	275284	Piston ring set, B18, + 0,030" (genuine)		560	
940110	(5.) Spring washer		4	275285-R	Piston ring set, B18, + 0,040"		625	
				275286	Piston ring set, B18, + 0,050"		990	
663605-R	Gearbox mounting (for cars with overdrive)		110	272002	(28.) Piston w. rings, B20, std.	(88,86-88,89 mm)	655	
418677	(6.) Core plug (42 mm)	(ref: 463902)	18 pc.	272003	Piston w. rings, B20, std.	88,91 (Mahle)	655	
418718	(7.) Core plug (45 mm)	(ref: 463904)	18 pc.	272012	Piston w. rings, B20, + 0,015"	(Mahle)	655	
				272004	Piston w. rings, B20, + 0,030"	(Mahle)	655	
82745	(8.) Drain cock on engine block		110	272005	Piston w. rings, B20, + 0,040"	(Mahle)	655	
418622	(9.) Felt seal, front		30	275334	(29.) Piston ring set, B20, std.	(genuine)	670	
418626	(10.) Retainer ring		55	275334-R	Piston ring set, B20, std.	(repl. 275306)	550	
418624	(11.) Lock ring		65	275314-R	Piston ring set, B20, + 0,015"		550	
418272	(12.) Gasket	(ref: 1378907)	48	275336-R	Piston ring set, B20, + 0,030"	(275307)	550	
418416	(13.) Oil feed nipple		130	418295	(30.) Small end bush (standard size)		84	
952075	(14.) Oilway plug		34	415223	(31.) Con rod bolt		NLA	
				191410	(32.) Nut		15	
419808	(15.) Breather (replaces 418906, use ring 418905)		380	271051	(33.) Big end bearing set (standard size)		305	
955512	(16.) Screw		2	271052	Big end bearing set (- 0.010")		305	
418412	(17.) Sealing ring (early type di = 21)		14	271053	Big end bearing set (- 0.020")		305	
419805	(18.) Sealing ring (late B20 di = 26)		32	271214	(34.) Main end bearing set (standard size)		375	
419422	(19.) Hose		64	271215	Main end bearing set (- 0.010")		375	
418982	(20.) Valve		78	271216	Main end bearing set (- 0.020")		375	
943706	(21.) Hose, crankcase ventilation, B18		145 m	276701	Main end bearing set (- 0.030")		375	
419446	T-piece (nipple) (not shown on illustration)		75	418621	(35.) Felt seal, rear (original old-style sealing)		30	
942928	(22.) Clip		18	418625	(36.) Retaining ring (original old-style sealing)		44	
942461	(22a.) Nipple	(R)	75	418257	(37.) Gasket for rear flange (now 430134)		30	
942390	(21.) Hose, crankcase ventilation, B20	(R)	68 meter	1218634 S	(38.) Crankshaft seal kit (oil seal type)		395	
418353	(23.) Cover plate (early type, to 1966)		Call	430118	<i>This kit converts felt seal to modern-style oil seal</i>		75	
419314	(24.) Cover plate (1967-, replaced by 463830)		Call	940111	(39.) Bolt for crankshaft pulley		15	
11009	(25.) Gearbox input shaft support bearing	(R)	55	191688	(40.) Washer		34	
191848	(26.) Lock ring		10	418264	(41.) Hub		445	
418663	(27.) Cover plate		58	910123	(42.) Woodruff key		17	
WM10402	Workshop manual, engine B18A (genuine)		260	9992405-R	Puller, to remove crankshaft gear		185	
WM10115	Workshop manual, engine B18B/D (genuine)		260					

Tank, Filler Caps & Fuel hose to and from Pump

		<u>Price</u>			<u>Price</u>
684030	Fuel tank, Amazon P120/P130	Call	653212	Filler neck rubber collar, sedan	60
955138	Screw for tank fitting to body	1 pc.			
954336	Screw union, fuel pipe to fuel tank	65	663841	Rubber seal, on P220 filler pipe	145
662152	Tank sender unit, sedan (12 v)	865	662463	Filler cap (sedan only, includes 16335)	158
662155	Tank sender unit, P220 station wagon	865	16335	Seal under filler cap (subject to stock)	35
89865	Seal for sender unit	50	277360	Filler cap (lockable, with Volvo logo)	NLA
FK-001	Fitting kit, sender unit (seal + screws)	64	277361	Lock barrel + 2 keys (for later 277360, where barrel diameter is approx 13 mm)	65
9434626	Tank sealant (1 liter can)	375	954305	Fuel pipe under car (sold in meters only)	110/m
			954322	Union (cap) nut for metal fuel pipe	28
13525	Hose for filler, P220 (R) (14 cm)	85	419796	Fuel hose, in front of pump ('65-'70) (R)	32/m
121520	Hose clamp for 13525	14 pc.	419797	Fuel hose, pump to carburettor ('65-'70) (R)	27/m

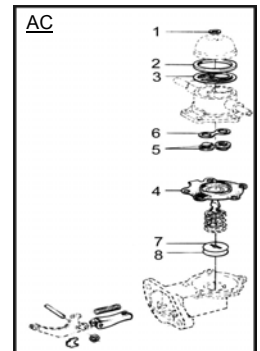
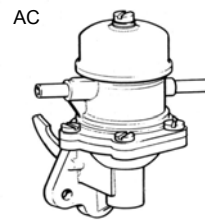
Fuel pump, with glass bowl, type AC (403269/234008), 1957-1964

403269	Fuel pump (B16) (1957-64)	NLA
234008	Fuel pump (B18) (1957-64)	NLA
CVI-AC1	Union, to use pump with <u>rubber</u> fuel hose	52 pc.
61942	(1.) Diaphragm (genuine)	245
73580	(2.) Valve (2 per pump)	65 pc.
73582	(3.) Gasket under valve (double: 1 per pump)	14
15517	(3.) Gasket, under valve (single: 2 per pump)	10 pc.
18780	(4.) Gasket under glass bowl (cork type)	20
190633	(4.) Gasket under glass bowl (rubber type)	20
1378905	Flange gasket, against engine block (2/car)	11 pc.
276223	Repair kit (with instruction sheet)	310
73537	(5.) Strainer	See 276224
234002/3	(7/8.) Seal/retainer	See 276224
61945	(9.) Lever	See 276224
73529	(10.) Shaft	See 276224
70498	(11.) Lock ring (2 per pump)	See 276224
61947	(12.) Washer	See 276224
61949	(13.) Spring	See 276224
276224	Overhaul kit (276223 + above items)	525
460678	Plastic spacer pump/engine (ref. 301002)	74
73575	(14.) Glass bowl	160
73539	(15.) Brace, for glass bowl	245
64757	Fuel hose (braided), betw. pipe & pump (R)	185
954343	Elbow union, B16A up to ch. 41159	85
954336	Union (straight), B16A from ch. 42569-	65
16218	Elbow union, B16B up to ch. 22568	90



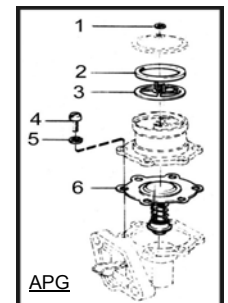
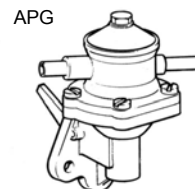
Fuel pump, type AC (419291), all in 1965:

	(1.) Fiber washer	See 276281
419427	(2.) Seal under lid	See 276281
419428	(3.) Strainer (NB. Not included in 276281)	50
D-419291	(4.) Diaphragm	145
73580	(5.) Valve (2 per pump)	65 pc.
15517	(6.) Gasket, under valve	10 pc.
	(7/8.) Seal/washer, under spring	See 276281
1378905	Flange gasket, against engine block (2/car)	11 pc.
276281	Repair kit for 419291 (nos. 1, 2, 4-8)	195



Fuel pump, type Pierburg (418878, marked "APG"), 1966-1970:

15521	(1.) Fiber washer	See 276520
418948	(2.) Gasket, under lid	20
418946	(3.) Strainer (NB. Not included in 276520)	45
956078	(4.) Screw	3 pc.
955918	(5.) Spring washer	2 pc.
D-418878	(6.) Diaphragm (with spring, seal, cup)	155
1378905	Flange gasket, against engine block (2/car)	11 pc.
276520	Repair kit for 418878 (nos. 1, 2, 4, 5, 6)	210



Fuel pump, current genuine for B18/B20 (Pierburg):

1336184	Fuel pump, B18/B20 (genuine)	360	460678	Plastic spacer pump/engine (ref. 301002)	74
1336184-1	Fuel pump, B18/B20 (R)	265	1378905	Flange gasket, against engine block (2/car)	11 pc.

Zenith 34 VN (B16A) & Zenith 36 VN (B18A) Carburetors:

237027 (R)	Zenith 34 VN carburettor, 1957-1960	2850
237128	Zenith 36 VN carburettor, 1961-1966	2850

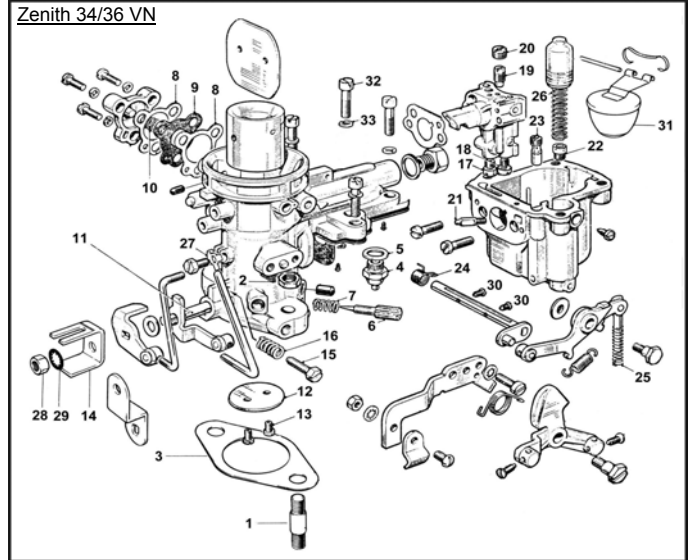
(NB. The above carbs. are brand new - not overhauled)

953237	(1.) Threaded stud, under carburettor	10 pc.
955826	(2.) Nut	3 pc.
403882	(3.) Gasket, under carburettor, B16A	10
418549	(3.) Gasket, under carburettor, B18A	10
275418	Gasket set (ref: 270626)	78
237382	(4/5.) Needle valve and seat (ref: 71952)	175
71955	(6.) Mixture screw	25
71956	(7.) Spring for mixture screw	26
237058 (8/9/10)	Economy diaphragm kit	125
CVI-ZSK 1	Service kit (genuine parts)	275

71921	(11.) Throttle spindle, 34 & 36 VN	155
71922	(12.) Throttle disc, 34 VN	75
237152	(12.) Throttle disc, 36 VN	95
71683	(13.) Screw, disc to spindle (2 per carb)	6 pc.
CVI-002/003	Bushes for throttle spindle	85/pair
276290	Throttle spindle kit, B18A	310

656695	(14.) Lever (late B16, all B18)	65
71715	(15.) Throttle stop screw	21
71716	(16.) Spring, for throttle stop screw	12

237023	(31.) Float, 34 & 36 VN	175
71951	(32/33.) Screw/washer, for float chamber (4/carb.)	9 pc.

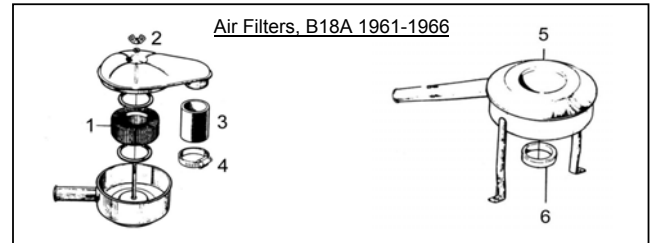


(NB! Overhaul kits include the following: all gaskets plus items numbered 3-29, + bushes and welch plug for throttle spindle but without item no. 14 in B16 set)

276286/289+	Overhaul kit, 34 VN	695
276286/290+	Overhaul kit, 36 VN	695

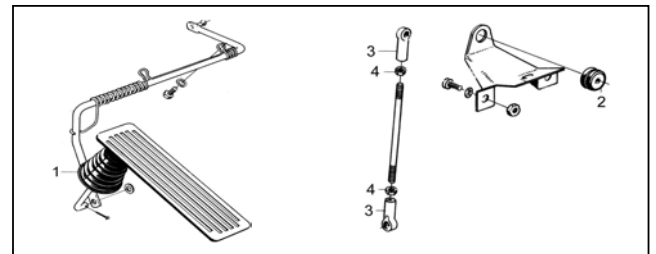
Air filter for B18A (1961-1966)

73607	(1.) Filter element (AC filter 73603, early B18A)	145
956903	(2.) Wing nut for filter lid	15
952982	(3.) Connecting hose (fits oilbath filter also)	65
951798	(4.) Hose clamp	15 pc.
669893	(5.) Air filter (B18A later ("frying pan") type (Call if you just want to replace the element)	873
656871	(6.) Rubber collar under filter (even B16A)	155



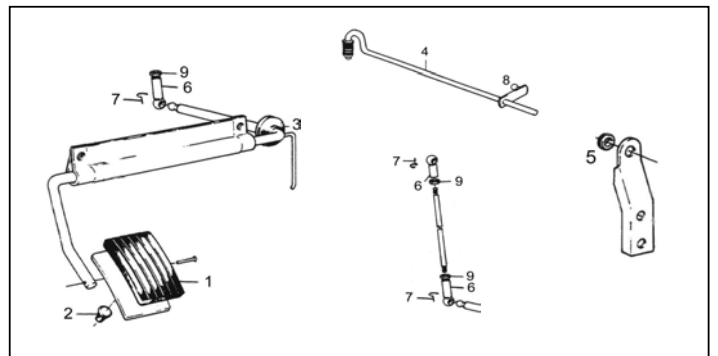
Throttle Linkage, B16A

653218	(1.) Dust cover (to engine bay), to ch. 20999	95
659802	(1.) Dust cover, from ch. 21000-	175
658660	(2.) Bush for mainshaft	75
959088	(3.) Ball-joint (with ball & brace)	58 pc.
955780	(4.) Nut	2 pc.



Throttle Linkage, B18A (up to 1966)

660533	(1.) Pedal pad	50
81803	(2.) Rubber cushion, under pedal	10
663052	(3.) Seal, to engine compartment	74
661963	(4.) Mainshaft	185
656695	Lever, on carburettor (see no. 14 above)	65
666143	(5.) Bush for mainshaft	35 pc.
955512	Screw for bracket	2 pc.
959088	(6.) Ball-joint, rh thread (with ball & lock brace)	58 pc.
959093	(7.) Locking brace	10
959094	(8.) Ball (with nut), fits 959088	Included on 959088
955780	(9.) Nut, under ball-joint	2



B18A Carburettor, 1967-1968

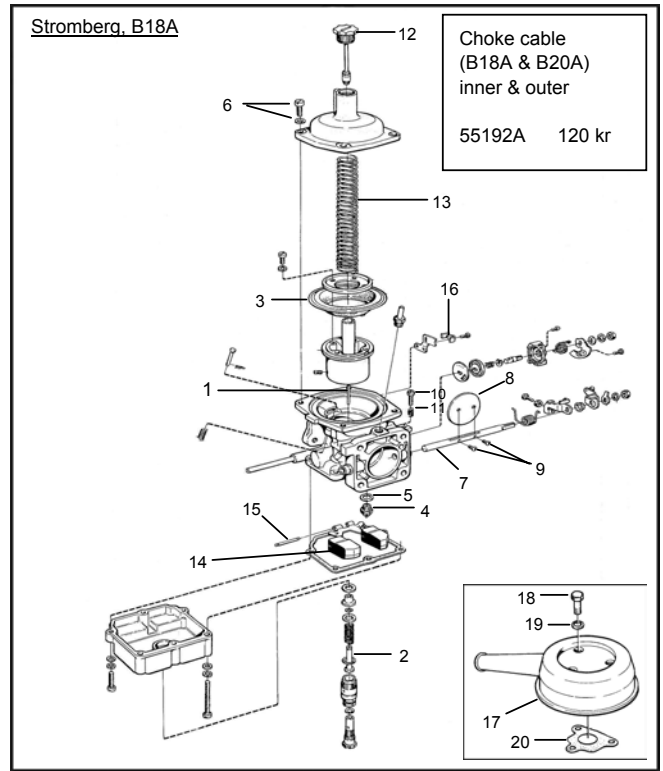
237243	Stromberg 175 CD2S (B18A, '67-'68) (R)	2950
237243 (ER)	Exchange carburettor (rebuilt)	2400
275489	Gasket & lock washer set	271473 140
237252	(1.) Needle	125
237290	(2.) Jet	90
237385	(3.) Diaphragm, gen. (hydrin based)	237666 55
237385-R	Diaphragm, repro. (nitrile based)	15
237382	(4/5.) Needle valve (with washer 237311)	175
820352	(6.) Screw & lock washer, vacuum chamber lid	8 pc. 8
CDSK 1	Service kit (genuine parts incl. needle)	410
237268	(7.) Throttle spindle	135
237272	(8.) Throttle disc	120
237273	(9.) Screw, disc to spindle	8 pc.
CVI-001	Bushes, for throttle spindle in carburettor body	75 pair
275489/276298	Overhaul kit (genuine parts incl. needle)	525
237286	(10.) Throttle stop screw	42
820344	(11.) Spring, for throttle stop screw	22
237347	(12.) Dashpot lid (damper)	210
237263	(13.) Piston return spring	110
237292	(14.) Float	230
237293	(15.) Float pin	42
237284	(16.) Clamp for (outer) choke cable	17
419578	Heat shield, under carburettor	80
418754	Gasket (heat shield/manifold/carburettor)	7 pc.
953237	Threaded stud, under carb.	10 pc.
955826	Nut	3 pc.
679261	(17.) Air filter (with vent)	478
679260	(17.) Air filter (without vent)	478
955531	(18.) Bolt	11 pc.
941907	(19.) Washer	2 pc.
680642	(20.) Gasket, filter/carburettor	16

B20A Carburettor, 1969-1970:

(237345 = 1969, 237436 came 1970 & replaced 237345)

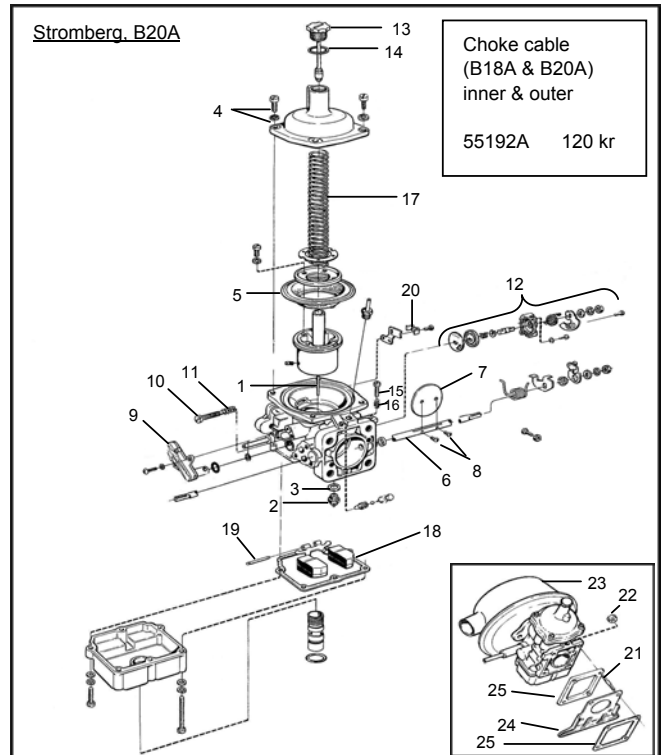
237345/436	Stromberg 175 CD2SE (now 237631)	3300
237436 (ER)	Exchange rebuilt carburettor	2500

276295	Gasket and lock washer set (ref: 271474)	158
237346	(1.) Needle (up to ch. 333999, 1969)	195
237441	(1.) Needle (from ch. 334000, 1970)	195
237572	Jet (not on diagram)	155
237382	(2/3.) Needle valve (with washer 237311)	175
820352	(4.) Screw & lock washer, vacuum chamber lid	8 pc. 8
237385	(5.) Diaphragm, genuine (hydrin b 237666)	55
237385-R	Diaphragm, repro (nitrile based)	15
276295-1	Service kit (gen. parts: needle excluded)	410
237395	(6.) Throttle spindle	165
237272	(7.) Throttle disc	120
71693	(8.) Screw, disc to spindle	18 pair
CVI-001	Bushes, for throttle spindle in carburettor body	75 pair
276295/299-1	Overhaul kit (gen. parts: needle for 1969)	720
276295/299-2	Overhaul kit (gen. parts: needle for 1970)	720
237470	(9.) Temperature compensator	480
237573/74	Lid (with screws), for temp. compensator	110
237380	(10.) Adjuster screw, by temp. compensator	55
237381	(11.) Spring, for adjuster screw	11
237420	(12.) Starter assembly	645
237473	(13.) Dashpot lid (damper)	210
237427	(14.) Gasket	27
237286	(15.) Throttle stop screw	42
237469	(16.) Spring, for throttle stop screw	18
237358	(17.) Piston return spring	110
237292	(18.) Float	230
237293	(19.) Float pin	42
237284	(20.) Clamp for (outer) choke cable	17
953237	(21.) Pin stud, under carburettor	10 pc.
955826	(22.) Nut	3 pc.
1277775	(23.) Air filter, B20A (current gen., w. renewable insert)	210
1277747	Insert (genuine), filter above (+ filter 460406)	75
680642	Gasket, filter/carburettor	16
419744	(24.) Heat shield	110
418754	(25.) Gasket (heat shield/manifold/carburettor)	7 pc.
684042	Shutter housing (with thermostat)	340
944405	Pre-heater hose	85
419704	Pre-heating plate (on exhaust downpipe)	Call
419712	Clamp for above	30
955825	Nut	3

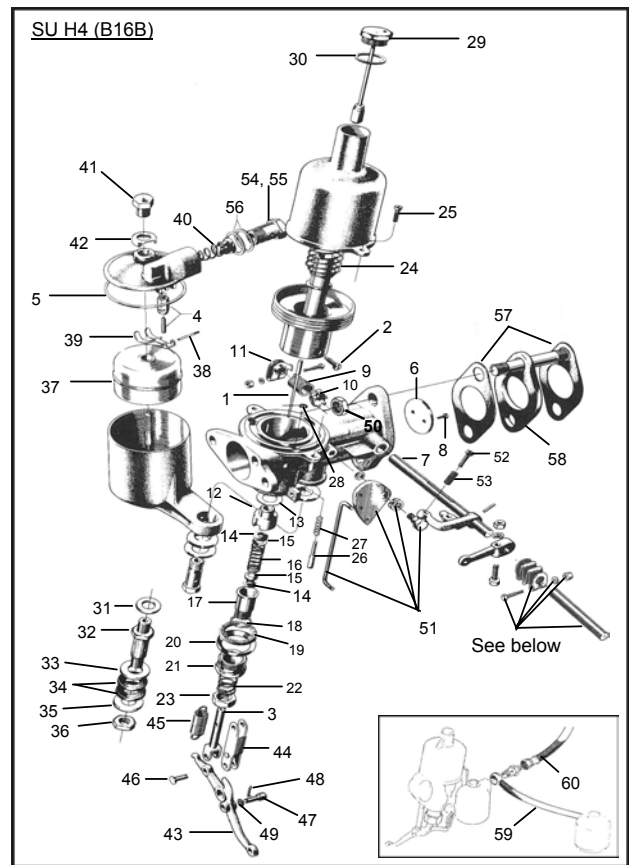


Throttle linkage, B18A/B20A, 1967-'70:
(not on diagram)

666143	Bush for mainshaft	35
663052	Rubber grommet through bulkhead	74
959088	Ball-joint, rh thread (with ball & lock brace)	58
955780	Nut, on shaft under ball-joint, rh thread	2
942837-R	Ball-joint, lh thread (with ball & lock brace)	58
942836	Nut, under ball-joint, lh thread	2
959093	Lock brace	10



237069/70	SU H4 carburetors, B16B	6600 pair
237009	(1.) Needle	140 pc.
237050	(1.) Needle for carbs with oilbath filter	165
237010	(2.) Piston lock screw	48
71820	(3.) Jet	158
71841	(4.) Needle valve and seat	160
16347	(5.) Gasket under float chamber lid	14
275420	Gasket set, for 2 carburetors	325
275420+	Service kit (above items), for 2 carbs.	895
237014	(6.) Throttle disc	140 pc.
237012/13	(7.) Throttle spindle (front and rear)	330 pair
71849	(8.) Screw, disc to spindle	7 pc.
276291	Throttle spindle kit, 2 carbs. (6, 7, 8 + bushes)	675 pair
276217/291+	Overhaul kit (both carbs, w. needles)	1350 pair
71850	(9.) Return spring on throttle spindle	85 pc.
71851	(10.) Anchor plate	85 pc.
71852	(11.) Retainer	95 pc.
71826	(12.) Jet bearing (upper)	105
18846	(13.) Copper gasket (above jet)	11
71828	(14.) Cork gasket (2 per carburettor)	11 pc.
71829	(15.) Washer (2 per carburettor)	18 pc.
71830	(16.) Spring	34
71827	(17.) Jet bearing (lower)	66
18847	(18.) Copper gasket, under lower bearing	13
71824	(19.) Cork gasket	11
71825	(20.) Ring	34
71821	(21.) Lock nut, for jet	68
71823	(22.) Spring	25
71822	(23.) Adjuster nut	33
CVI-1593	Jet bearing kit for 2 carbs (12-23 above)	895 pair
71816	(24.) Piston return spring	58
14185	(25.) Screw, for vacuum chamber lid	8 pc.
237041-1	Lift pin kit, 1 carb. (with nos. 26/27/28.)	94 pc.
237008	(29.) Dashpot lid (brass)	210 pc.
190349	(30.) Gasket, under lid	8
276404	Fitting kit, for float chamber (31-36)	185 pc.
71840	(37.) Float	285
131016	(38.) Pin	10
71842-2	(39.) Lever, above float (later stainless type)	48
71843	(40.) Filter (with spring), float chamber inlet	64 pc.
150182	(41.) Nut for float chamber lid (polished brass)	65 pc.
237062	(42.) Protector washer, under nut	14 pc.
71831	(43.) Lever (brass), under carburettor	175
71832	(44.) Link	105
71833	(45.) Return spring	55
14507	(46.) Cotter pin bolt (3 per carburettor)	18 pc.
71834	(47.) Cotter pin bolt (1 on rear carb.)	30
907812	(48.) Cotter pin	3 pc.
237054	(49.) Star washer (d = 3/16")	5 pc.
237053	(49.) Star washer (d = 1/8")	5 pc.



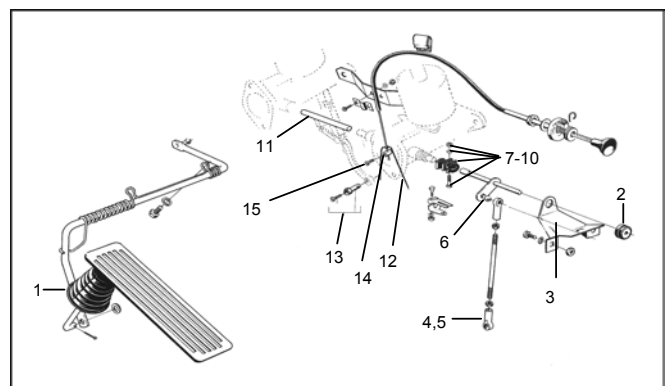
950364	(50.) Nut (carburettor to manifold)	3 pc.
237011/71857/8-1	Cam kit, rear carburettor (51.)	140
71855	(52.) Idle screw	16
71856	(53.) Spring	9
180332	(54.) Banjo bolt, front	75
180333	(55.) Banjo bolt, rear	85
191228	(56.) Fiber washer	8
418053	(57.) Gasket, manifold/insulating flange	14
418052	(58.) Insulating flange	120
652136	(59.) Fuel hose (between carburetors)	340
661882	(60.) Fuel hose (from fuel pump)	340

Air filter (see illustration on page 10)

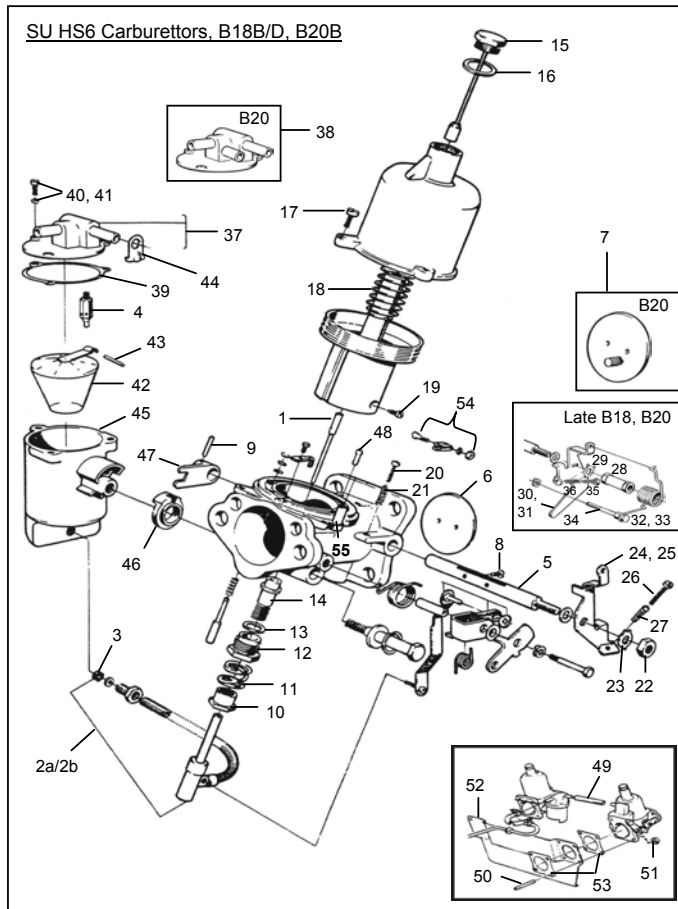
660447	Air filter (LHD cars)	325
658496	Air filter (RHD cars)	410
403919	Gasket, between filter & carburettor	15
1001	Decal (sticker), for 660447 filter	28

Throttle and choke linkage, B16B:

653218	(1.) Dust excluder (to engine bay), to ch. 20999	95
659802	(1.) Dust excluder, from ch. 21000-	175
658660	(2.) Bush for mainshaft	75
663293	(3.) Anchorage bracket	265
959088	Ball-joint/ball/brace (4/5/6.)	58 pc.
71676	(7.) Coupling, between carbs	128
106837	(8.) Bolt	20
150183	(9.) Nut	5
120006	(10.) Washer	10
71910	(11.) Intermediate shaft	74
71676-1	Coupling kit (items 7-11)	155 pc.
71678/79-1	Stirrup (12.)	} 158 set
	Link pin (complete) (13.) (2 pcs.)	
21882	(14.) Retainer	65
14012	(15.) Screw	4



(More items available - please call)



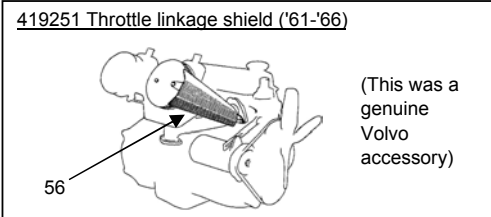
237244/45 (R)	SU HS6 (B18D) (NB. 3-bolt filter: state needle)	5250 pair
237256/57 (R)	SU HS6 (B18B) (123 GT: "KD" needles)	5250 pair
237418/19 (R)	SU HS6 (B20B)	5250 pair
237244/45 (ER)	Rebuilt carburetors, <u>exchange</u> (concours)	4750 pair

(Call for more detailed information about our carburetors)

SU-GP 18	Gasket set, for 2 carburetors	145
	Needles - 122S 1961-1966:	
237145	(1.) Needle KA (B18D 90 bhp, paper filter)	135
237183	(1.) Needle KB (B18D 90 bhp, oilbath filter)	135
237221	(1.) Needle ZH (B18D 90 & 95 bhp, paper)	130
237149	(1.) Needle KE (B18D 95 bhp, oilbath filter)	135
	Needles - 122S 1967-1968:	
237267	(1.) Needle SM (B18D 100 bhp, paper filter)	135
237262	(1.) Needle KG (B18D 100 bhp, silencing filter)	135
	Needles - 123 GT 1967-1968, 122S 1969-1970:	
237248	(1.) Needle KD (B18B (GT) 115 bhp, paper filter)	130
237255	(1.) Needle KF (B18B (GT) 115 bhp, silencing f.)	135
237315	(1.) Needle DX (B18B (GT USA) 115 bhp, paper)	145
237353	(1.) Needle KN (B20B 1969-1970, spring loaded)	165
237186	(2a.) Jet assembly (front carb.)	190
237187	(2b.) Jet assembly (rear carb.)	190
237188	(3.) Rubber seal, on jet (included on jet ass'y.)	10
237192	(4.) Needle valve and seat	145 pc.
276278+	Service kit (2 carbs.) (excls. needles)	640 pair
237877	(4.) Needle valve (with spring attachment) (This is the needle valve Volvo currently offer)	210 pc.
237094	(5.) Throttle spindle	140
237109	(6.) Throttle flap (can be used even on B20B)	115
237424	(7.) Flap (B18B USA, B20B (overrun valve))	296
71849	(8.) Screw, flap to spindle (2 per spindle)	7
907174	(9.) Lock pin	11
276292	Throttle spindle kit, w. bushes (for 2 carbs.)	580 pair
276278/292	Overhaul kit, 2 carbs. (excls. needles) (Contains service kit above + throttle spindle parts: please add needles of choice)	885 pair

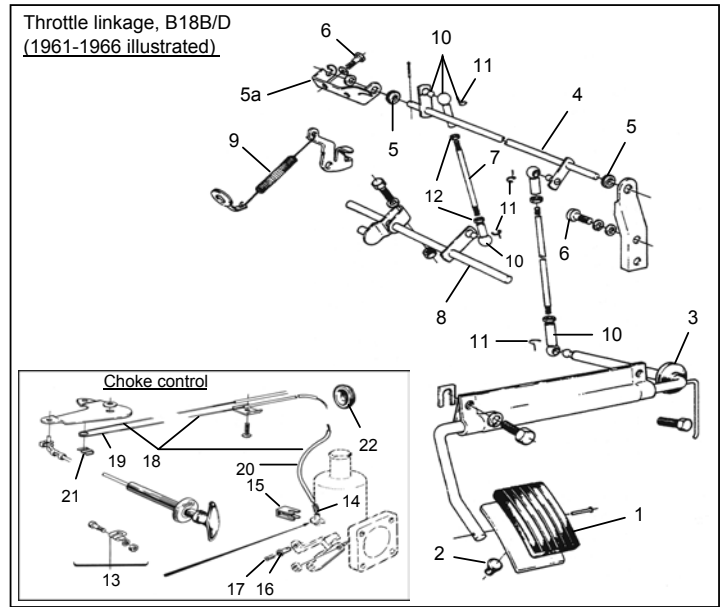
237082	(10.) Mixture adjuster nut, B18 carburettor	50
71823	(11.) Spring	25
237083	(12.) Lock nut	55
237081	(13.) Washer	20
237080	(14.) Bearing	65
CVI-1341	Jet bearing kit, B18 (nos. 10-14)	140
237330	(10.) Mixture adjuster nut, B20 carburettor	85
71823	(11.) Spring	25
237083	(12.) Lock nut	55
237329	(13.) Washer, to ch no. 316356	Call
237328	(14.) Bearing, to ch no. 316356	Call
237423	(14.) Bearing, from ch no. 316357 on	Call
CVI-1442	Jet bearing kit, B20 (nos. 10-14)	185
1129629	Dashpot oil (SU genuine: 125 ml bottle)	65
237144	(15.) Dashpot lid (damper)	150
190349	(16.) Gasket	8
237084	(17.) Screw, vacuum chamber lid	8
71816	(18.) Piston return spring	58
237105	(19.) Lock screw, for needle (B18)	16
237422	(19.) Lock screw, for needle (B20)	20
237085/71856	Adjuster screw/spring idle/choke (20/21.)	22
237113	(22.) Nut (B18)	6
237095	(23.) Lock washer	6
237110	(24.) Lever (front carb. B18)	65
237111	(25.) Lever (rear carb. B18)	65
237085/71856	Adjuster screw/spring idle/choke (26/27.)	22
237335	(28.) Nut (B20)	Call
237095	(29.) Lock washer	6
237332	(30.) Lever (front carb. B20)	120
237333	(31.) Lever (rear carb. B20)	120
237336	(32.) Return spring, front carb. (B20)	58
237337	(33.) Return spring, rear carb. (B20)	58
237340	(34.) Screw	32
237356	(35.) Adjuster screw (idle/choke)	Call
237357	(36.) Spring	Call

237214/215	(37.) Float chamber lid/valve/float (front/rear), B18	445 pc.
237195/196	(38.) Float chamber lid/valve/float (front/rear), B20	445 pc.
237106	(39.) Gasket, under lid	6
14185	(40.) Screw, float chamber lid	8
955918	(41.) Spring washer	2
237457	(42.) Float (ref: 237216)	145
131016	(43.) Float pin	10
237131	(44.) Baffle	12
237086	(45.) Float chamber (same for both front & rear)	465
237087/88	(46.) Retainer (front/rear)	75 pc.
237098	(47.) Lever, on end of throttle spindle	78
237104	(48.) Nipple for vacuum advance pipe (B18)	55
419797-80	(49.) Hose, between carbs. (80 mm) (R)	10
953236	(50.) Pin stud, on inlet manifold, B18D (8/car)	10
955826	(51.) Nut (for 953236)	3
418512	(52.) Heat shield, under carbs. (B18)	Call
418754	(53.) Gasket, either side of shield '61-'70 (4/car)	7 pc.
237178	(54.) Clamp, outer choke spiral (to 1966)	55
237168	(55.) Ferrule, for choke cable	45
55192D	Choke cable (inner + outer, complete)	195
418561/950003	Retainer/screw, choke cable to carb lever	36/carb
SU 670	Tool kit, SU carbs (mixture adjustment + needle valve removal tool)	145
419251	(56.) Shield, throttle linkage, wintertime, -'66	220



Throttle Linkage & Choke control, B18B/D

660533	(1.) Pedal pad	50
81803	(2.) Rubber cushion, under pedal	10
663052	(3.) Seal, to engine compartment	74
662006	(4.) Mainshaft, 1961-1966	Call
671950	(4.) Mainshaft, 1967-1968	Call
666143	(5.) Bush for mainshaft	35 pc.
418506	(5a.) Bracket ('61-'66)	Call
955512	(6.) Screw for bracket	2 pc.
191203	(7.) Control rod	63
418449	(8.) Intermediary shaft, '61-'66	301
419575	(8.) Intermediary shaft, '67-'70	Call
418963	(9.) Throttle return spring (1 per carburettor)	30 pc.
959088	(10.) Ball-joint (with ball & locking brace (11.))	58 pc.
959093	(11.) Locking brace	10
955780	(12.) Nut, under ball-joint	2
237178	(13.) Clamp, outer choke spiral (to 1966)	55
237168	(14.) Ferrule, for choke cable	45
419452	(15.) Clamp ('67-'70)	25
418561/950003	Retainer/screw, for choke cable (16/17.)	36/carb
55192D	(18.) Choke cable, twin carbs. (inner & outer)	195
55192	(19.) Inner choke cable	28/m
88783	(20.) Outer spiral	55/m
94641	(21.) Lock washer	20

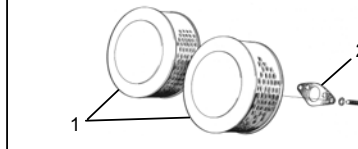


654507	(22.) Rubber grommet, through bulkhead	35
664425	Rubber grommet, LHD (holds cables togeth.)	32

AIR FILTERS, SU CARBURETTORS (B16B):

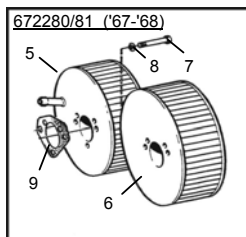
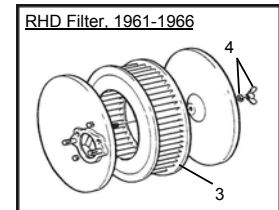
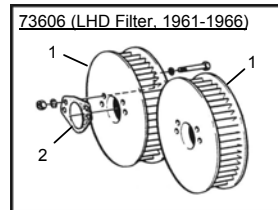
660447	(1.) Air filter (LHD cars) (incl. new bolts)	325 pc.
658496	Air filter (RHD cars)	410 pc.
403919	(2.) Gasket, between filter & carburettor	15 pc.

Air filters, B16B (old-style 660447 illustrated)
(Note that 660447 now looks like those in the B16B Volvo workshop manual - as do 658496)



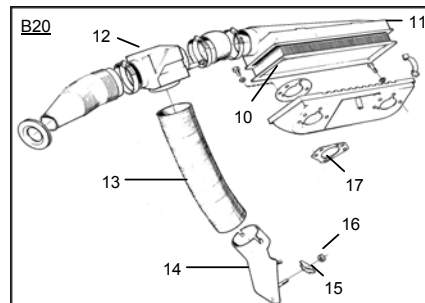
AIR FILTERS (PAPER TYPE), SU CARBURETTORS (B18/B20):

73606-R	(1.) Air filter, for LHD cars 1961-1966	110 pc.
73606-CR	(1.) Air filter, <u>Volvo blue with decal</u>	185 pc.
FK-73606	Fitting kit, for 2 filters (excludes gaskets)	25 kit
418447	(2.) Gasket	15 pc.
1006	Decal/sticker (AC type) for filter 73606	20 pc.
667583	(3.) Insert, RHD filters, 1961-1966 (R)	110 pc.
192015	(4.) Butterfly nut (& washer) for outer cover	20 per filter
1007	Decal/sticker (Coopers) for RHD filters	35 pc.

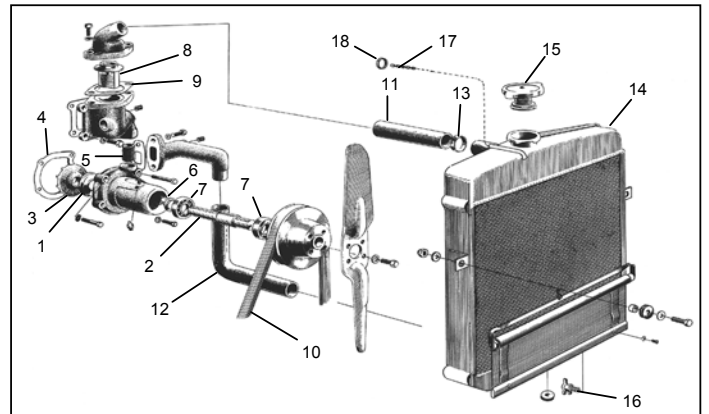


672280	(5.) Air filter, front (genuine, Volvo blue)	245
672281	(6.) Air filter, rear (genuine, Volvo blue)	245
672280/81-R	Air filters (paired), 1967-1968 (5. + 6.)	295 pair
(Fully functional though genuine blue looks better)		
955530	(7.) Bolt, for fitting of filter	10 pc.
941907	(8.) Spring washer	2 pc.
677607	(9.) Gasket	15 pc.
1010	Decal/sticker (AC type), for filters 672280/81	35 pair

679658	(10.) Filter insert (B20B), 1969-1970	165
679658-R	(10.) Filter insert (B20B), 1969-1970	145
680743	(11.) Filter housing, upper part	375
684042	(12.) Shutter housing, with thermostat	350
944405	(13.) Pre-heater hose (as original)	85
419704	(14.) Pre-heating plate, on exhaust downpipe	NLA
419712	(15.) Clamp	30
955825	(16.) Nut	3
677607	(17.) Gasket	15 pc.
Ram pipe filters stocked for all SU carbs.		280 pair



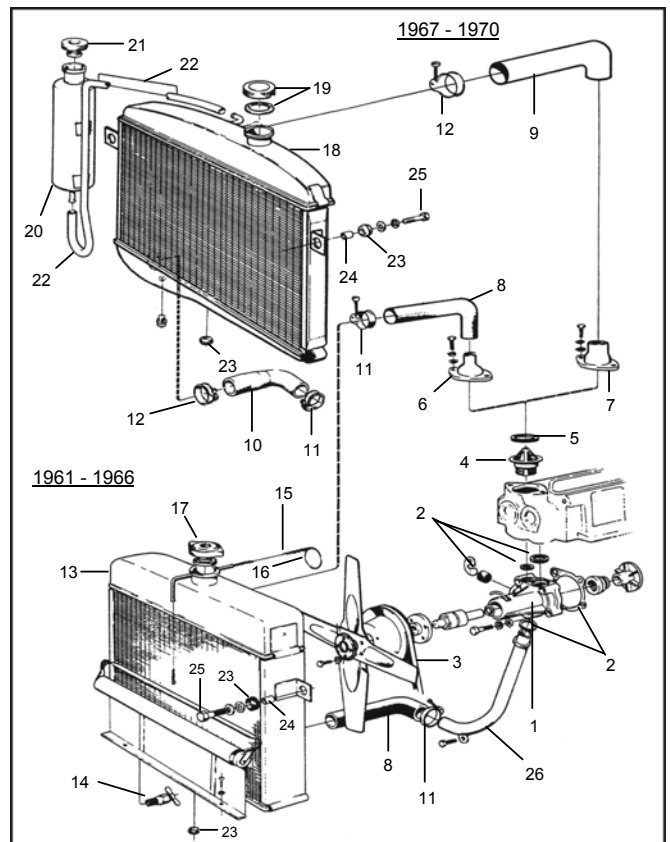
			<u>Price</u>
418031	Water pump, remanufactured (R)		1120
412338	(1.) Seal (in water pump)	(R)	185
403352	(2.) Shaft		165
403853	(3.) Impeller		185
403105	(4.) Gasket for water pump		22
13911	(5.) Hose between pump and thermostat h'sng.		24
70913	(6.) Thrower ring		20
11136	(7.) Bearing	(R)	Call
54609	Repair kit for waterpump		725
659547	Seal ring, for heater pipe to water pump		15
273163	(8.) Thermostat (Wahler, 80 degrees)		125
403161	(9.) Gasket for thermostat		24
951684	(10.) Fan belt	(Gates)	53
660081	(11.) Radiator hose, upper (old original)		85
660094	Radiator hose, upper (current genuine)		97
660095	(12.) Radiator hose, lower		86
951792	(13.) Hose clamp		Call
252056	(14.) Radiator (2 new units remaining)		2400
87842	(15.) Radiator cap (current Volvo genuine)		110



			<u>Price</u>
87502	(16.) Drain cock		191
657014	(17.) Chain for radiator blind		55 m
88495	(18.) Pull ring for chain		20

COOLING SYSTEM, B18/B20

271602	(1.) Water pump kit, genuine (w. fitting kit/gaskets)		925
271602-1	(1.) Water pump kit, repro.		375
275540	(2.) Gasket set (B18/B20B) (genuine)		58
275540-R	(2.) Gasket set (B18/B20B)		45
275541	(2.) Gasket set (B20A)		45
960282	(3.) Fan belt (R) (B18 LHD/RHD, (B20 LHD))		55
419419	(3.) Fan belt (R) (B20 RHD only)		65
418496-R	(4.) Thermostat (78 degrees)		85
419693	(4.) Thermostat (82 degrees, <u>Wahler</u>)		98
273342	(4.) Thermostat kit, <u>with seal</u> (82 deg. <u>Wahler</u>)		105
1218680	(4.) Thermostat (88 degrees, <u>Wahler</u>)		98
460579	(4.) Thermostat (92 degrees)		95
418361	(5.) Rubber seal for thermostat		10
418325	(6.) Aluminium housing, for thermostat (-1966)		275
419333	(7.) Aluminium housing (1967-1970)		274
FK-004	Fitting kit for aluminium housing		7 set
663031	(8.) Radiator hose, -1966 (upper & lower)		70 pc.
676556	(9.) Radiator hose, '67-'70 (upper)		70
673196	(10.) Radiator hose, '67-'70 (lower)		70
952659	(11.) Hose clamp ('61-'66 all, '67-'70 1 lower)		12 pc.
952663	(12.) Hose clamp ('67-'70 2 upper + 1 lower)		12 pc.
273189	Radiator hose kit, '61-'66 (upper/lower)		85
273190	Radiator hose kit, '67-'70 (upper)		85
273191	Radiator hose kit, '67-'70 (lower)		85



Radiator, 1961-1966:

252087	(13.) Radiator (brand new coming soon)		Call
1013	Sticker (decal), for B18 radiator, '61-'66		20
87502	(14.) Drain cock		191
313705	(15.) Chain for radiator blind		55 m
88495	(16.) Pull ring for chain		20
87842	(17.) Radiator cap (<u>current Volvo genuine</u>)		110

Radiator, 1967-1970:

252111	(18.) Radiator (brand new coming soon)		Call
461646	(19.) Radiator cap (includes sticker (decal))		88
1018	Decal/sticker for radiator cap		25
676558	(20.) Expansion tank (B18) (long neck)	686833 + 673233	
673336	(21.) Cap (B18, long neck) (<u>Round with decal</u>)		130
686833	(20.) Expansion tank (B20) (short neck)		345
673233	(21.) Cap (B20, short neck) (<u>Round with decal</u>)		120
942700	(22.) Hose, expansion tank to radiator		30
1019	Decal/sticker, for expansion tank cap		25

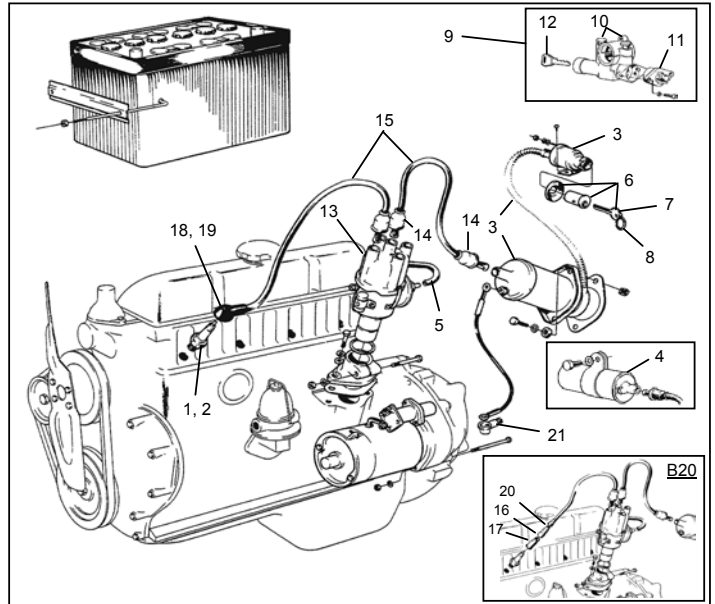
Radiator fitting parts:

673989	(23.) Rubber bush	(3/radiator)	16 pc.
663497	(24.) Sleeve	(2/radiator)	63 pc.
940115	(25.) Bolt	(2/radiator)	3 pc.
960148	Washer	(2/radiator)	2 pc.
955950	Lock washer	(2/radiator)	2 pc.
273064	Fitting kit for radiator, B18 1961 -1966		Call
	(contains above (except 24.) + 2 rad hose kits)		
418628	Water return pipe, up to 1966		Use 419331
419331	Water return pipe, B20		240
418334	(26.) Water inlet pipe		325

233347 (ER)	Distributor, exchange reconditioned	to order	233979	Spark plug, B16A	(Bosch)	35
233263	Lower bush for distributor	63	233188	Spark plug, B16B		38
233260	Distributor cap	130				
			275652-1R	Ignition lead set, LHD (w/out bak. connector)		210
238258	Rotor arm	(ref: 76977)	130	275652-2R	Ignition lead set, LHD (w. bakelite connector)	240
77732	Condenser		125	233514	Ignition coil (RHD only)	3200
233910	Contact breaker points		65	673261	Ignition lock barrel (replaces earlier type)	395

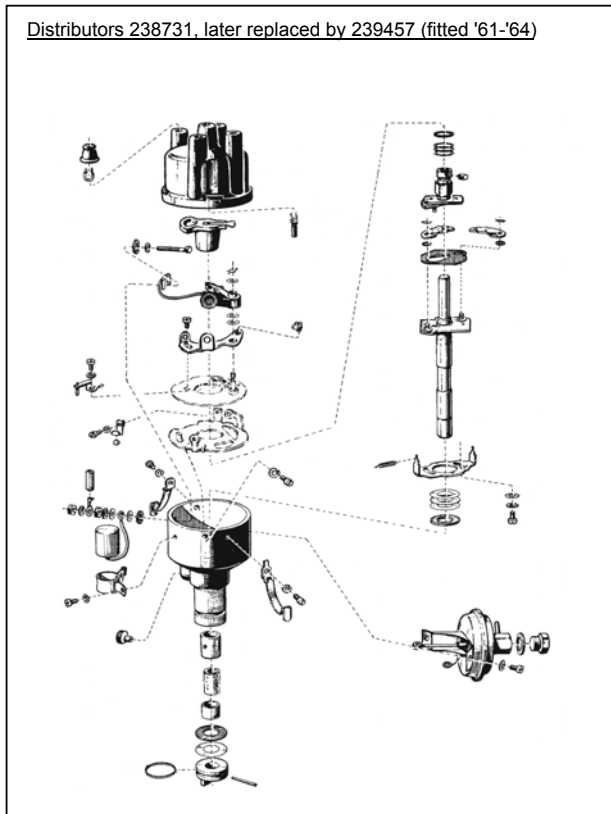
IGNITION SYSTEM, VOLVO AMAZON B18

271412	(1.) Spark plug set, B18A, B20A (R)	155
271411	(2.) Spark plug set (genuine), B18B/D, B20B	155
238960	(3.) Ignition coil (LHD)	3550
1009	Decal (sticker), B18 ignition coil (yellow)	20
35254	(4.) Coil, B20 (RHD)	545
976733	(5.) Hose for vacuum advance	93 m
673261	(6.) Ignition lock barrel, with 2 keys ("Neiman")	395
673339	(7.) Key blank, B18 ("Neiman")	55
660140	(7.) Key blank for "Assa" locks (genuine)	95
88495	(8.) Key ring	20
681934/684048	Steering & ignition lock, B20 (9.)	NLA
680776	(10.) Sheer-off screw	25 pc.
241493	(11.) Starter contact base	250
680196	(12.) Key blank, B20 ("Neiman")	65
1277772	(13.) Distributor cap (Bosch), with 1/2 moon cutout	135
870690	(13.) Distributor cap (Bosch), without 1/2 moon	130
241608	(14.) Rubber cover, ignition cables (B20)	Call
275660	(15.) Ignition lead set (fits B18 & B20) (supplied with straight connectors)	260 set
241607	(16.) Rubber cover (black) at plug end (B20 type)	20 pc.
241606	(17.) Rubber cover (red) at plug end (B20 type)	20 pc.
241850 Brn	(18.) Plug cap (angled 90 degrees), brown	24
241850 Sv	(19.) Plug cap (angled 90 degrees), black	28
241605	(20.) Plug cap (resistor), straight (239240)	42
418120	(21.) Cover on low tension lead (at distributor end)	15
238258	Rotor arm, B18 to 1964	130
243903	Rotor arm, 1965-'70	62



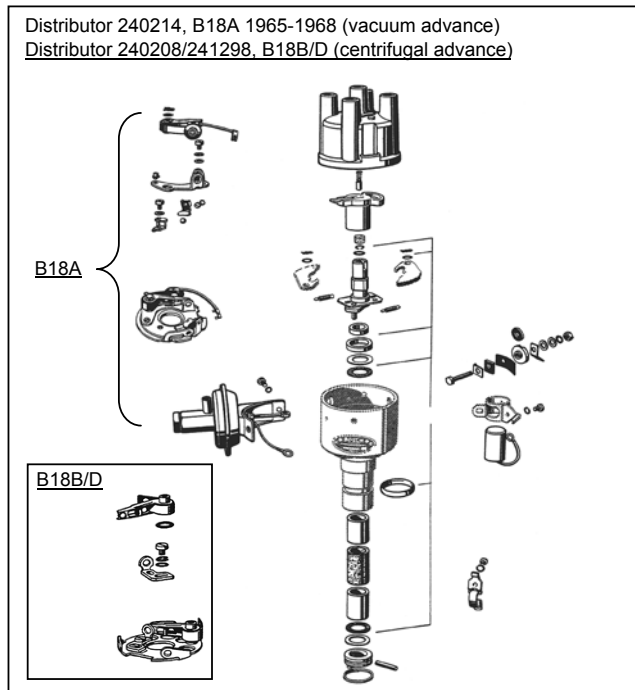
275662	Ignition lead set (for 2-dr. B20 RHD)	Call
241397	Condenser, B18	85
241650	Condenser, B20	95
238859	Contact breaker points, B18A (-'68), B18D (-'64)	66
240149	Contact breaker points, B18B/D, '65-'68	75
241652	Contact breaker points, B20A	55
1306169	Contact breaker points, B20B	58

DISTRIBUTOR FOR B18A/D, 1961-1964



238731/239457 (ER)	Distributor, B18A/D to 1964 (rebuilt exchange)	1950
870690	Distributor cap (Bosch genuine)	130
127772	Distributor cap (with half-moon)	135
76977	} Rotor arm	130
238258		
241397	Condenser	85
238859	Contact breaker points	66
48401	Lubricating felt under rotor arm	Call
955229	Screw, through housing	5
955779	Nut, on outside (2 per distributor)	2
955917	Spring washer	Call
25195	Plain washer	Call
25936	Adjuster screw (eccentric)	165
77543	Lock screw, points adjustment	2
77683	Spring clip, for points	5
48331/32	Adjuster shims for points	Call
956059	Screw for cap locking clip	4
76928	Spring clip	Call
233306	Holding bracket with pin for vacuum adv.	Call
956058	Screw, holding bracket + condenser brack.	2
955917	Spring washer	Call
77668	Retainer spring	} 241658
77692	Ball	
956042	Screw for retainer spring	
955915	Spring washer	
25929	Fiber washer	Call
25930	Adjuster washer (0.1 thickness)	12
233262	Bush (upper)	63
238850	Bush (lower)	52
418265	Gasket, under distributor	8.50
925060	Sealing ring, on shaft	27
976733	Hose for vacuum advance	93 m

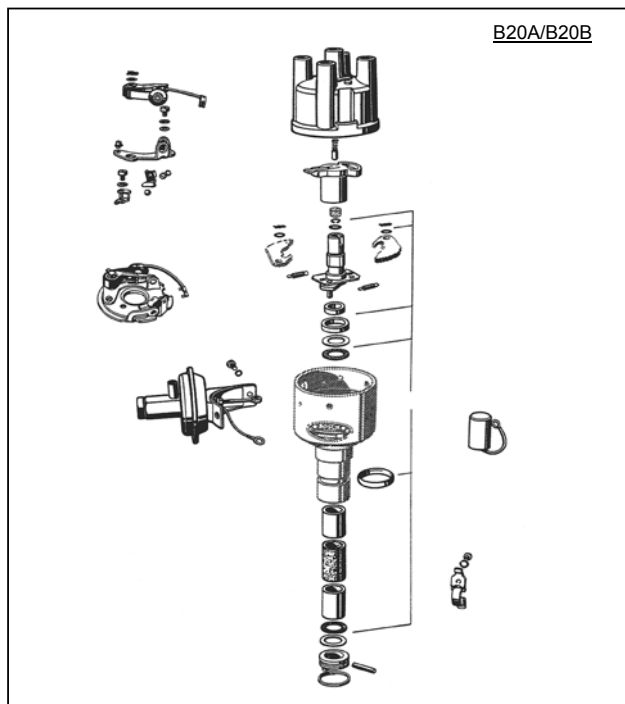
Distributors for B18, 1965-1968



240214 (ER)	Distributor, B18A 1965-1968	1950
240208 (ER)	Distributor, B18D '65-'68, early B18B	1950
241298 (ER)	Distributor, late B18B	1950
(Note: the above distributors are <u>reconditioned</u> and are sold on an <u>exchange</u> basis only.)		
870690	Distributor cap (Bosch genuine)	130
241659	Distributor cap clip set	16
238859	Contact breaker pts, B18A ('68)	66
240149	Contact breaker points, B18B/D, '65-'68	75
241397	Condenser	85
243903	Rotor arm	62
233262	Bush (upper)	63
238850	Bush (lower)	52
240588	Screw/insulator set, for points & condenser	138
955229	Screw, through housing (incl. in 240588)	5
241671	Small parts set for distributor shaft	185
240591	Small parts set for contact breaker plate	235
233836	Drive coupling, at distributor base	NLA
233837	Lock pin for coupling	20
233838	Spring retainer for pin	NLA

NB. All distributors are professionally overhauled: & sold on exchange

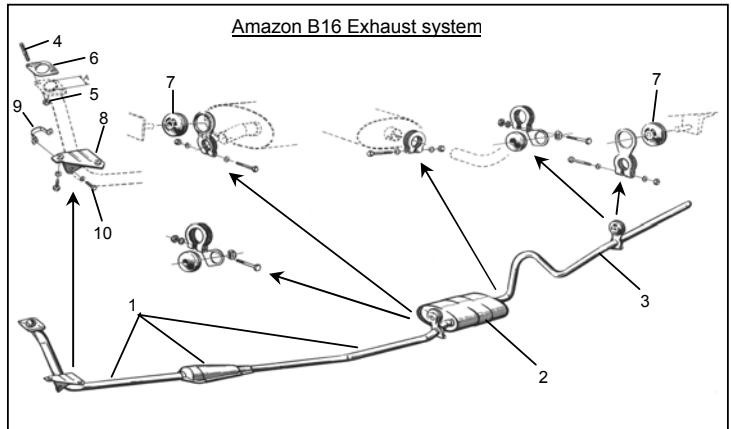
Distributors for B20, 1969-1970



241529 (ER)	Distributor, B20A (<u>exchange overhauled</u>)	1950
241530 (ER)	Distributor, B20B (<u>exchange overhauled</u>)	1950
870690	Distributor cap (Bosch genuine)	130
241659	Distributor cap clip set	16
241652	Contact breaker points, B20A	55
1306169	Contact breaker points, B20B	58
243903	Rotor arm	62
241650	Condenser	95
241654	Vacuum advance mechanism, B20A	515
241665	Vacuum advance mechanism, B20B	308
233262	Bush (upper)	63
238850	Bush (lower)	52
241671	Small parts set for distributor shaft	185
241663	Contact breaker plate (B20B)	760
241658	Small parts set for contact breaker plate	20

B16 System:

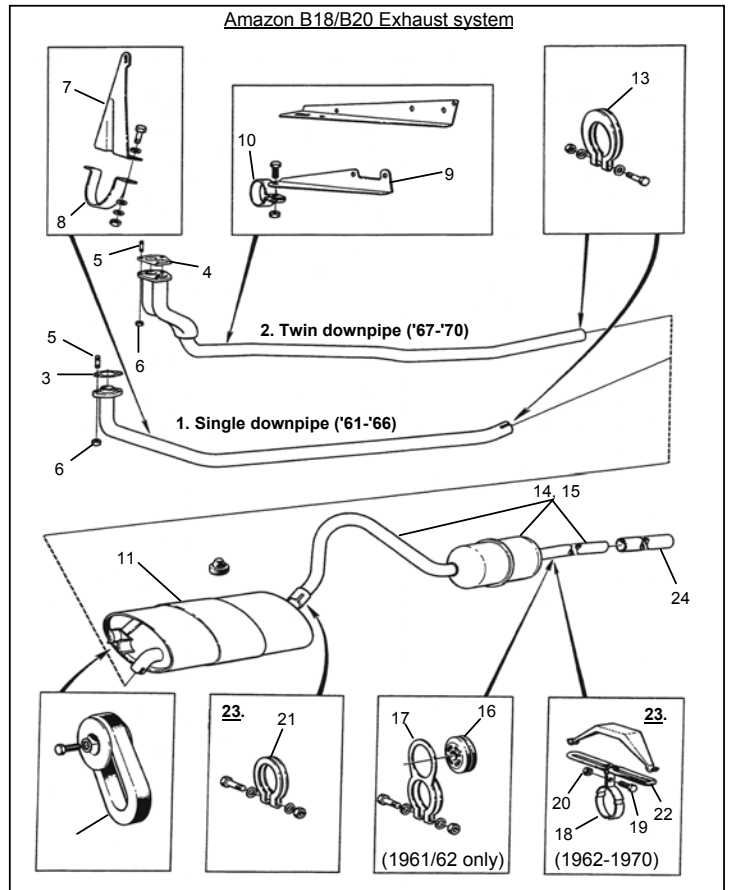
660539	(1.) B16 Downpipe	NLA
653037	(2.) Silencer (to ch. 12792)	995
658131	(2.) Silencer, last type	975
653315	(3.) Tailpipe (to ch. 2610)	625
658235	(3.) Tailpipe, last type	184
	Fitting kit	270
953259	(4.) Pin stud (manifold to downpipe)	15
190852	(5.) Nut	12
403546	(6.) Gasket	35
666208	(7.) Rubber bush (NB. In black not grey)	36 pc.
657783	(8.) Bracket	340
657784	(9.) Clamp, early type	15
191583	(9.) Clamp, late type	30
190364	(10.) Screw	2



CV3K Complete B16 exhaust system, repro. 1840

B18/B20 System:

663795	(1.) Single downpipe ('61-'66)	<u>genuine</u>	385
672196	(2.) Twin downpipe ('67-'70)	<u>genuine</u>	519
403546	(3.) Gasket for single downpipe		35
671822	(4.) Gasket for twin downpipe		25
953259	(5.) Pin stud (manifold to downpipe)		15
190852	(6.) Nut		12
663794	(7.) Bracket for single downpipe (1961-1966)		120
192040	(8.) Clamp		38
672262	(9.) Bracket for twin downpipe		NLA
942568	(10.) Clamp		38
663456	(11.) Main silencer	<u>genuine</u>	685
663456-R	Main silencer		445
666407	(12.) Rubber ring for silencer, genuine		29 pc.
666407-R	Rubber ring for silencer, repro.		12 pc.
192204	(13.) Clamp, downpipe to silencer		35
663753	(14.) Tailpipe, sedan	<u>genuine</u>	675
663753-R	Tailpipe, sedan		265
672876	(15.) Tailpipe, P220 wagon	<u>genuine</u>	585
672876-R	Tailpipe, P220 wagon		365
666208	(16.) Tailpipe rubber cushion (1961/62 only)		36
666133	(17.) Clamp for above		54
669365*	(18.) Clamp, around tailpipe (1962-1970)		25
940135/955826*	Screw/nut for 669365 (19/20.)		5
191466*	(21.) Clamp, main silencer to tailpipe		16
667503*	(22.) Tailpipe suspension rubber, '62-'70		26 pc.
273103	(23.) Fitting kit for tailpipe, '62-'70 (contains items marked with asterisk *)		65
270637	Fitting kit for complete system, genuine		359
270637-R	Fitting kit for complete system		125
273785	Fitting kit for all <u>except</u> downpipe		235
419561	Inlet & exhaust manifold for B20B		2750



277178 (24.) 123 GT tailpipe extender, chromed 210

273437 Complete exhaust system, sedan '61-'66 1965
 273323 Complete exhaust system, sedan '67-'70 2095
 273784 Complete system, sedan - less downpipe 1540
 (Above genuine systems incl. fitting kit)
 NB. First two are too big to send - see below

New! Complete aluminised systems with fitting kit:
 (These are boxed and can be sent by post etc)

CV3K1	Complete system, Az sedan B18 '61-'66	<u>Price</u> 1820
CV3K2	Complete system, Az sedan '67-'70	1780
CV3K3	Complete system, Az wagon '62-'66	1820
CV3K4	Complete system, Az wagon '67-'69	1780

Sports exhaust and extractor manifold:

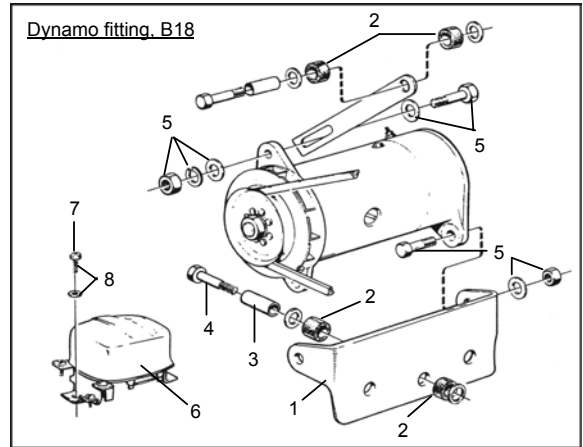
025K	Simons 2" sports system, 1967-1970	<u>Price</u> 1820
037-E	4-branch extractor manifold B18/B20	1850
037-2	Adaptor, to use extractor with 2" system	185

Starter motor (B18/B20)

		<u>Price</u>			<u>Price</u>
233679	Carbon brush set, starter 238620, early B18	126	240604	Carbon brush set, starter 240360, B18/B20	131
233679-R	Carbon brush set (repro)	84	240604-R	Carbon brush set (repro)	78

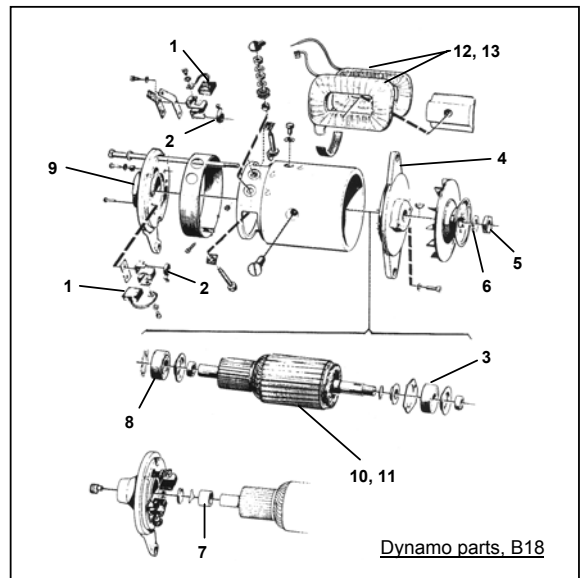
Dynamo Fitting (B18)

418354	(1.) Bracket (renew if bolt holes are oval)	125
403877	(2.) Rubber bushing	12
403894-R	(3.) Spacer sleeve in rubber bushing	36
955525	(4.) Bolt for fitting of bracket to engine block	3
FK-Dynamo 1	Fitting kit, dynamo/bracket (early, up to '66) contains upper/lower bolts, nuts, washers (5.)	18 kit
FK-Dynamo 2	Fitting kit, dynamo/bracket (late, from '67 on) contains upper/lower bolts, nuts, washers	18 kit
(419417-L	Bracket for fitting alternator in place of dynamo to B18 engine (lhd cars only)	See Below)
238640	(6.) Charging relay (Bosch genuine)	780
1008	Decal (sticker) on side of relay (yellow)	20
190666	(7.) Screw (used up to approx. January 1964)	6 pc.
FK-012	(8.) Fitting kit (used from approx Jan. '64 on)	8 kit



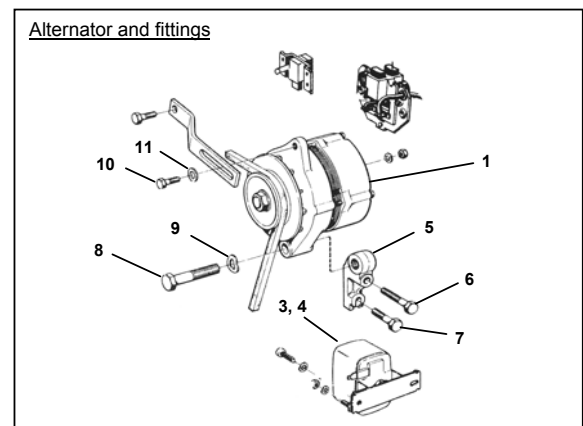
Dynamo Parts (B18A/D)

273500	(1.) Carbon brush set, genuine	112
273500-R	Carbon brush set, repro.	65
238801	(2.) Return spring, carbon brushes	20 pc.
11010	(3.) Front bearing (even B16)	50
238793	(4.) Bracket (aluminium) for front bearing	465
190718	(5.) Nut	Call
955926	(6.) Lock washer	4
238579	(7.) Bushing rear (B18A)	56
11009	(8.) Rear bearing (B18D, even B16B) (R)	55
238794	(9.) Housing for rear bearing (B18D)	465
239365	(10.) Rotor (armature), for B18A	2875
238804	(11.) Rotor (armature), for B18D	2725
240561	(12.) Field winding, coil 1 (red)	} Could be remade, if there is sufficient demand.
240562	(13.) Field winding, coil 2 (blue)	
238621 (ER)	Dynamo, <u>exchange rebuilt</u> (send your old unit to us first - only type with bearing at both ends accepted!)	1765
Stom	Core charge if old unit not sent	350



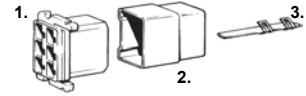
Alternator (B18B/B20)

		<u>Price</u>
419420-R	Alternator, 35A (with built in charging relay)	1585
419417-L	Bracket, dynamo to altern. conversion (LHD)	325
5001612	(1.) Bosch alternator, <u>exchange</u>	Call
244456	(2.) Carbon brush kit, Bosch	55
1259303	(3.) Charging relay, SEV (replaces 419589)	424
1308030	(4.) Charging relay, Bosch (replaces 241534)	199
419417	(5.) Bracket (for RHD B20 cars only)	Call
955536	(6.) Bolt for bracket, upper	5
955535	(7.) Bolt for bracket, lower	4
955565	(8.) Bolt, (alternator to bracket, LHD & RHD)	15
940280	(9.) Spring washer	4
955524	(10.) Bolt for tension adjuster	3
191172	(11.) Washer	2
672765	Alternator warning sticker/decal (123 GT)	65



WIRING HARNESSES, ELECTRICAL CONNECTORS

WL AM B18 (L)	Wiring harness (complete), B18 LHD sed.	2650	WL AM GT (L)	Wiring harness (complete), 123 GT LHD	2650
WL AM B18 (R)	Wiring harness (complete), B18 RHD sed.	2650	WL AM GT (R)	Wiring harness (complete), 123 GT RHD	2650
WL AM B20 (L)	Wiring harness (complete), B20 LHD sed.	2650	958215	(1.) Connector box (black)	} 958215-1 75 set
WL AM B20 (R)	Wiring harness (complete), B20 RHD sed.	2650	958214	(2.) Connector box (black)	
<i>(this kit includes connectors 958203/04/17)</i>					
671157	Cable harness, to LH headlamp	145	191676	(3.) Bridging connector (in connector box)	40
671373	Cable harness, to RH headlamp	155	666211 (ER)	Clip, fitting of box, galvanized	Call
662123	Cable harness, to LH indic/parking lamp (R)	145			
662124	Cable harness, to RH indic/parking lamp (R)	155			



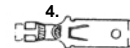
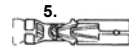
88273	Rubber grommet, indicator cable	14 pc.
667512	Rubber grommet, for headlamp cable	NLA

958211-S	Headlamp connector (contains box + 3 spade connectors)	26	958204	(4.) Electrical connector (single thickness)	6
			958203	(5.) Electrical connector (double thickness)	4
			958217	(6.) Female spade connector (use with above)	4

Connector 958211



[NB Connector 958211 is included on harnesses]



Instruments & Gauges

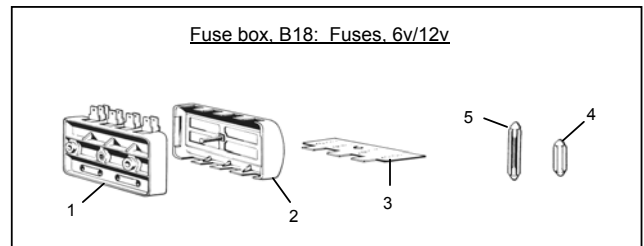
*(NB. We must receive your old unit before we ship renovated temp gauge)
(Bear in mind that B20 type gauge will still work OK even for B16/B18)*

673999 (ER)	Temperature gauge, <u>B16/B18</u> (green/white)	Coming soon		<i>Temp gauge</i>
673999	Temp. gauge, <u>B20</u> type (green, white, red)	1269		
673998	Fuel gauge, 12v	Call		
19901	Bulb, instruments, 6v	(6 per car)	15	
277703	Bulb, instr'mts/dash, 12v	(7 per car)	10	



Fuse box (B18/B20) & Fuses (B16/B18/B20)

192228	(1.) Fuse box (not B16)	175
192229	(2.) Fuse box lid (used = 110)	170
192228/29-1	Fuse box, complete	310
667698	(3.) Instruction sheet	Call
11434	(4.) Fuse, short, 25A (original ceramic)	15
11434-R	(4.) Fuse, short, 25A (glass fuse)	12
11433	(5.) Fuse, long, 8A	4
942545	Fuse, 123 GT, 5A	4
942785	Fuse, 123 GT, 16A	4
CVI-598	Fuse kit (with assorted fuses)	36



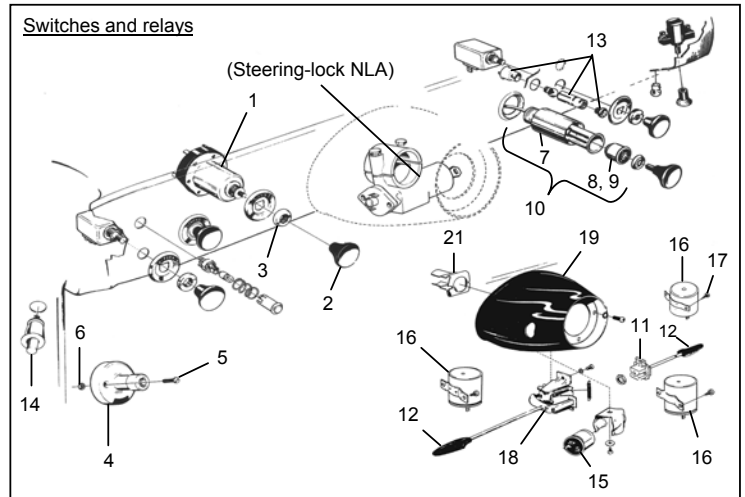
Battery & Earth leads (B18/B20)

192647	Battery lead, battery-starter motor, LHD (R)	175	673580	Rubber cover, on battery lead at starter m.	35
192214	Battery lead, battery-starter motor, RHD (R)	155			
11417	Earth strap, battery-body (B16 also)	55			
190339	Earth strap, engine-body (B16 also)	48			

Rubber cover 673580



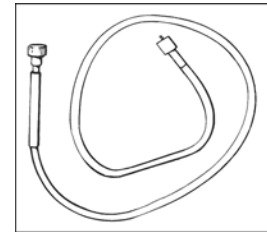
658258	Headlamp switch, B16	325
663748	(1.) Headlamp switch, B18/B20	NLA
658191	(2.) Black knob for headlamp switches	76
654442	(3.) Chromed nut for switches	56
668675	(4.) Foot dipper switch (Bosch genuine)	275
950231-1	Fitting kit, foot dipper switch (5. + 6.)	(R) 25
CVI-511	2 screws + 2 cage nuts (in floor) Relay, for h/lamp dip via indicator switch	295
662118	(7.) Cigar lighter sleeve (sender), 12v	150
93931	(8.) Glow element, 6v (Casco, USA)	150
662108	(9.) Glow element, 12v (Casco, USA)	124
277238-R	(10.) Cigar lighter, compl., 12v (Casco, USA)	240
663047-R	(11.) Overdrive switch (comes less knob)	445
658225	(12.) Knob for o/d switch/indicator switch	165
663089/93/94R	Overdrive warning lamp (13.)	NLA
658383-B	(14.) Door pillar switch (used only)	95
89111	Flasher relay (2-pin), 6v	265
660582	Flasher relay (3-pin), B16 6v	485
667408	Flasher relay, B18 (R) (up to 1963)	210
667407	(15.) Flasher relay, B18 (1964-1968, USA -'67)	210
686452	Flasher relay, B20 (R)	210
669102	(16.) Relay (h/lamp flash, reverse light, overdrive)	185
955137	(17.) Screw (2/relay)	1 pc.
19901	Bulb, instruments, 6v (6 per car)	15
277703	Bulb, instr'mts/dash, 12v (7 per car)	10



657317-B	(18.) Indicator switch (used only)	425
653978-B	(19.) Housing for switch, B18 (non o'drive s/h)	280
663050-B	(19.) Housing for switch, B18 (overdrive)	Call
673553	(19.) Housing, B20 (non overdrive)	NLA
673554	(19.) Housing, B20 (overdrive) (Cut hole for overdrive switch)	NLA
672115-B	(20.) Companion flange (2nd-hand)	150
678840-R	Horn (high tone)	125
678841-R	Horn (low tone)	NLA

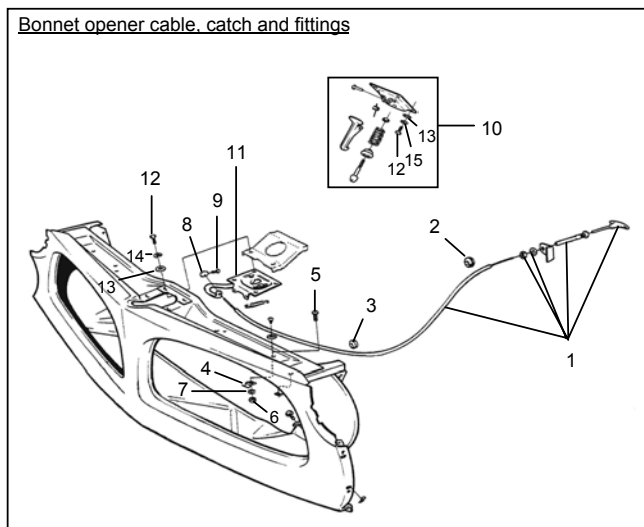
Speedometer cables & Speedo Drive gears

660874	Speedo cable, B16 with H6 gearbox (LHD)	385
660840	B16 with M4 gearbox (+ RHD H6 gearbox)	365
669020	B16/B18 (M30/M40) non overdrive, -'63	240
668598	B16/B18 (M31/M41) with overdrive, -'63	265
670506	Speedo cable, non-overdrive, 1964-1970	190
670505	Speedo cable, overdrive cars, 1964-1970	220
654507	Rubber grommet for cable (thru bulkhead)	35
951188	Clamp, for 670505	5
951191	Clamp, for P220 station wagon	5
955137	Screw, for clamp	1 pc.



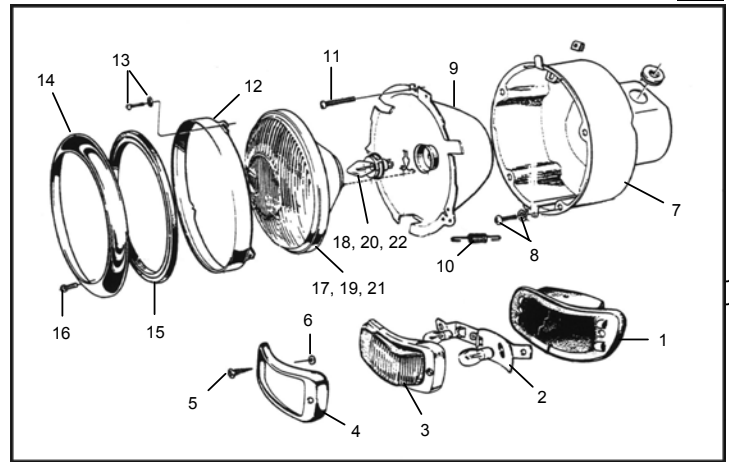
380164	Drive gear, 16 teeth (sedan M30/M40)	100
380166	Drive gear, 17 teeth (P220 M40)	NLA
380168	Drive gear, 18 teeth (sedan B18 M31/M41)	NLA
380753	Drive gear, P130 with overdrive (B20)	364
380192	Oil seal, speedo cable inlet in g/box/O/D	45

Bonnet Opener Cable and Fittings



657180	(1.) Bonnet opener cable (R)	165
680011	(2.) Grommet, to engine bay (old-style genuine)	35
680011-1	(2.) Grommet, to engine bay (current style)	12
40136	(3.) Grommet, through front panel	15
18335	(4.) Clamp, in front panel	20
950020	(5.) Screw for clamp	2
940092	(6.) Nut	2
955946	(7.) Lock washer	2
FK-657180	Fitting kit (with above 6 items)	50
21882	(8.) Retainer	65
956059	(9.) Screw	4
657796-B	(10.) Bonnet catch, upper section (on bonnet)	325
657785-B	(11.) Bonnet catch, lower section (LHD)	Call
657786-B	(11.) Bonnet catch, lower section (RHD)	Call
955512	(12.) Bolt	2
192287	(13.) Washer	2
940155	(14.) Lock washer	2
955920	(15.) Spring washer	2

		Price
666775	(1.) Rubber gaiter (B18/B20, lhs)	105
666776	(1.) Rubber gaiter (B18/B20, rhs)	105
666773	(2.) Reflector (repro), lhs	375
666774	(2.) Reflector (repro), rhs	
	} B18/B20	
668911	(3.) Indicator lens, lhs	275
668912	(3.) Indicator lens, rhs	275
673238	(3.) Indicator lens, lhs (USA '68 - all-amber)	295
673239	(3.) Indicator lens, rhs (USA '68 - all-amber)	295
666770	(4.) Chrome surround (rhs only)	410
961324	(5.) Screw (2 per side)	3
192557	(6.) Speed nut (in wing)	3
277707	Bulb, parking lamp, 12v	10 pc.
277721	Bulb, indicator lamp (front and rear), 12v	10 pc.
662123	Cable harness to LH indic/parking lamp (R)	145
662124	Cable harness to RH indic/parking lamp (R)	155
273547	(7.) Headlamp bowl, with fitting kit to wing	315
FK-005	(8.) Fitting kit	10
88051	Seal betwn. bowl and wing (incl. in 273547)	48
83590	(9.) Inner bowl	391
83591	(10.) Spring (3 per bowl)	15 pc.
87690	(11.) Adjuster screw (3 per bowl)	15 pc.
671260	(12.) Inner retainer rim	210
FK-006	(13.) Fitting kit, inner rim to inner bowl (2 per car)	8 kit
273547P-1	H/lamp bowl/inner bowl, plastic (7/9/10/11.)	210
671739	(14.) Headlamp rim	360
88052	(15.) Rubber seal, in h'lamp rim	28
115895	(16.) Screw for bezel (genuine)	40
238775	(17.) Headlamp insert (B16 "Robolight" - <u>not</u> USA)	485
238776	Bulb socket for 238775	Call
182035	(18.) Bulb for 6v headlamps (B16)	40

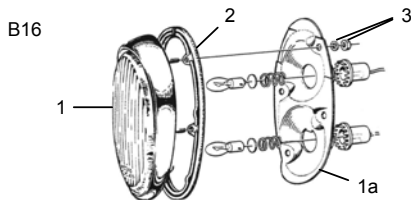


		Price
241067-R	(19.) Headlamp insert (Bosch assymetric, LHD)	510
240518-R	(19.) Headlamp insert (Lucas assymetric, RHD)	485
277730	(20.) Bulb for old-style assymmetric lamps (12v)	25
943855	(20.) Bulb, as above but <u>yellow</u> glass (France)	110
R12 (60/55W)	(20.) H4 bulb, fits old-style h/l's 241067/240518	48
1212963	(21.) Headlamp insert, H4 (gen. LHD) (flat glass)	305
1212963-R	(21.) H/lamp insert, H4, LHD (domed glass)	475
1212962-R1	(21.) H/lamp insert, H4, RHD (flat glass)	485
1212962-R2	(21.) H/lamp insert, H4, RHD (domed glass)	475
963187	(22.) H4 bulb for 1212962/63	35
671157	Cable harness to LH headlamp	145
671373	Cable harness to RH headlamp	155
668675	Foot dipper switch (Bosch genuine)	275
950231-1	Fitting kit, foot dipper switch (R) 2 screws + 2 cage nuts (in floor)	25
CVI-511	Relay, for h/lamp dip <u>via</u> indicator switch	295

LIGHTING, REAR, VOLVO AMAZON

B16, B18 up to 1962:

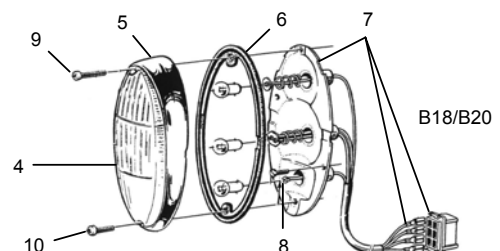
659096	(1.) Lens (all-red) (B16, B18 up to '62)	210
660258	(1a.) Reflector (ch. 21000 on, 2 only in stock)	485 pc.
663581	(2.) Rubber seal	120
940092	(3.) Nut (with washer)	2



B18/B20 (from 1963):

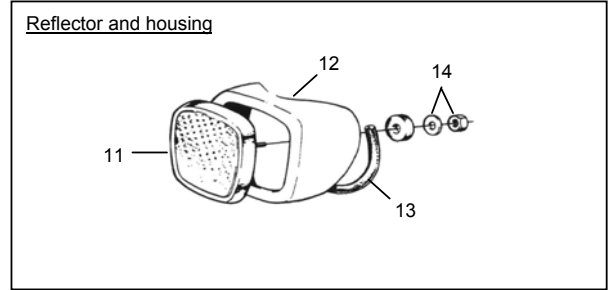
672426	(4.) Rear lens, European (red/amber/clear)	248
667678	(5.) Chrome surround	305
672333	(4 + 5) Lens with chrome, European	532
667674	(4 + 5) Lens with chrome, USA (red/red/clear)	532
667612-R	(6.) Rubber seal	40
667675	(7.) Reflector, all P220, sedan '63-'64 1/2	464
670614	(7.) Reflector, sedan from 1964 1/2	531
955149-1	(8.) Screw set, for reflector (set of 4)	8 set
192543	(9.) Screw, upper (long)	8
950099	(10.) Screw, lower (short) (can shorten 192543)	15

Bulbs: flasher 10, stop/parking 10, reversing 12



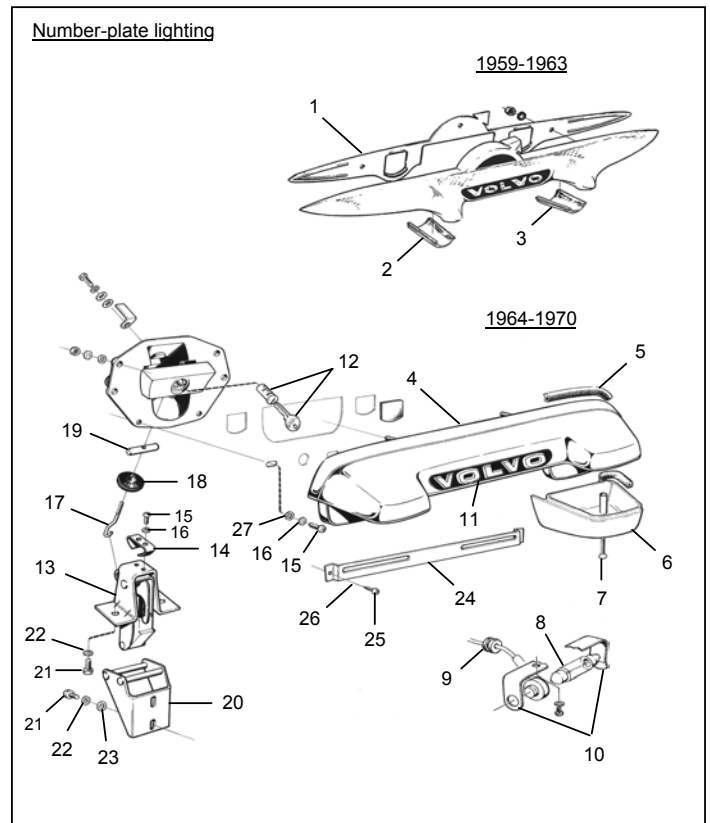
Reflector on rear wing:

654483	(11.) Reflector		147
654491	(12.) Housing, P120/P130	(lhs)	385
654492	(12.) Housing, P120/P130	(rhs)	385
663105	(12.) Housing, P220	(lhs)	508
663106	(12.) Housing, P220	(rhs)	508
13319 RH	(13.) Seal		22 pair
192287/781	(14.) Nut/washer		6
273242	Reflector set, P120/130, lhs	(11-14.)	454
273243	Reflector set, P120/130, rhs	(11-14.)	454



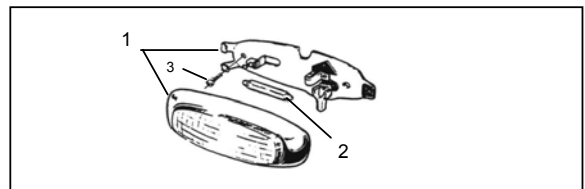
Bootlid handle & Number-plate lamp

660555	(1.) Rubber seal under handle used '59-'63		165
659002	(2.) Lens, lhs		210
659003	(3.) Lens, rhs		210
668971-R	(4.) Bootlid handle, P120/P130, 1964-'70 (repro.)		1185
669071	(5.) Rubber seal between handle and bootlid		40
668979	(6.) Lens in handle (P120/P130)		180 pc.
192610	(7.) Screw for lens		NLA
277713	(8.) Bulb (for both sedan and station wagon)		10 pc.
668982	(9.) Rubber grommet		15
668942-B	(10.) Bulb-holder (good second-hand)		45
663060	(11.) "Volvo", on bootlid handle	(genuine)	285
663060-R	(11.) "Volvo", on bootlid handle	(repro.)	190
666229	(12.) Lock barrel, with 2 keys		185
663891	(13.) Locking mechanism		375
658829	(14.) Guide spring for lock		40
950020	(15.) Screw		4
955946	(16.) Lock washer		2
663889	(17.) Link		45
659006	(18.) Rubber grommet between lock & handle		NLA
663888	(19.) Shaft between lock & handle		65
658821	(20.) Striker plate (lower)		245
940113	(21.) Screw		3
955949	(22.) Lock washer		2
955894	(23.) Washer		2
679161	(24.) Number-plate holder bracket (not USA)		124
955137	(25.) Screw		1
955946	(26.) Lock washer for screw 955137		2
120085	(27.) Washer		2

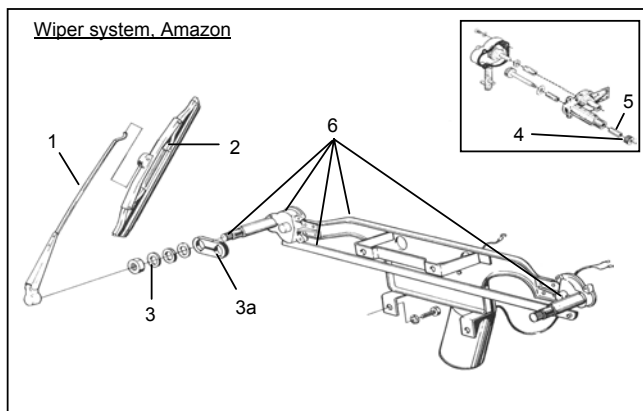


INTERIOR LIGHTING

662109	(1.) Interior light, complete with lens		340
182057	(2.) Bulb, 6v		15
277715	(2.) Bulb, 12v		10
955153	(3.) Screw, for base plate	(2 per car)	2 pc.
658383-B	Door pillar switch	(used only)	95



Note: Please include the "R" etc in the part number when ordering!



673189	(1.) Wiper arm (stainless)	140
673190	(2.) Wiper blade (genuine)	110
673189/90-1	Wiper set: 2 arms/2 blades	440 set
673189-1	(1.) Wiper arm (stainless: <u>very highly polished</u>)	155
190735	(3.) Chromed washer, under splined head	30
660397	(3a.) Sponge seal, for wiper box	28
Hubs for wiper arm attachment to spindle/complete mechanisms:		
658164	(4.) Hub (with splines), for SWF/Autolite (6 mm)	40
671911	Hub (with splines), for Electrolux (8 mm)	40
660357	(5.) Bush for wiper spindle, type SWF	35
660382 (ER)	(6.) Wiper mechanism, <u>exchange</u> overhauled	1480

(Note: we must have your old unit first)

Windscreen washers, Volvo Amazon

659076	(1.) Washer jet (subject to stock)	(up to 1965)	NLA
1698261	(2.) Washer jet (twin)	(1966 only)	140
192580	(3.) Plastic hose	(up to 1965)	Call
659248	(4.) Three-way union	(up to 1965)	15
192581	(5.) Plastic hose		14 m
40136	(6.) Rubber grommet	(up to 1965)	15

Pump & Motor, 1961 - 1966:

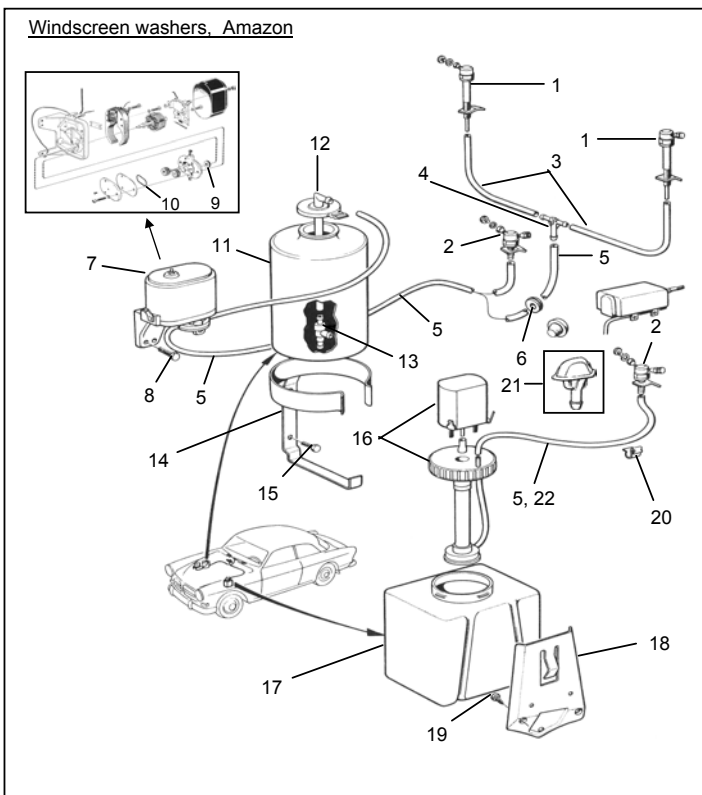
661324	(7.) Washer motor, B18 to 1966		580
190364	(8.) Screw (3 per pump)		2 pc.
343188	(9.) Sealing ring, for repair of old pumps	}	110 pair
343378	(10.) Sealing ring, for repair of old pumps		

666977	(11.) Washer bottle (incls. lid, hose, angle pipe)	210
666977 (1.5)-1	Wash bottle/clamp, larger diameter than orig.	285
663641	(12.) Angle pipe, from bottle top	12
667352	(13.) Non-return valve	28
659809	(14.) Bracket for genuine water bottle	225
190665	(15.) Screw (2 per bracket)	4 pc.

661324-1	Washer set: 661324 + 666977	650
661324-2	Washer set: 661324 + 666977 (1.5)-1	675

Pump & Motor, 1967 - 1970:

688400	(16.) Washer motor, 1967-1970	580
671723	(17.) Water bottle (later square type)	280
672408	(18.) Bracket	60
955138	(19.) Screw for bracket (3 per bracket)	1 pc.
191404	(20.) Clamp	10
672631	(21.) Washer jet (grey original)	60
943727	(22.) Rubber hose (1969-1970)	34 m



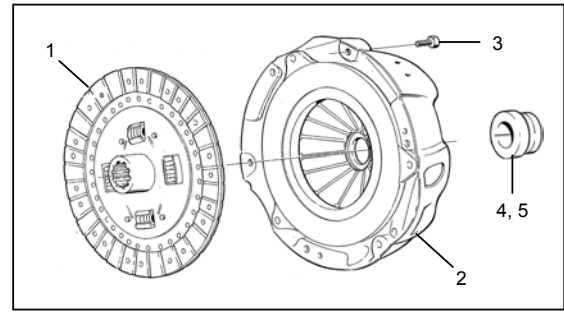
Amazon Pedal rubber set: Package deal

666176-1	Pedal rub set, LHD (666176 x 2, 660533)	110 set
653238-1	Pedal rub set, RHD (653238 x 2, 660533)	110 set

Kick-down cable, for automatic gearbox

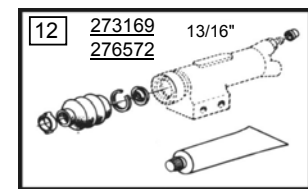
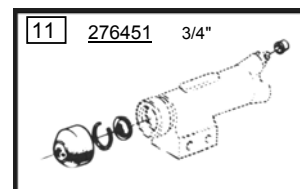
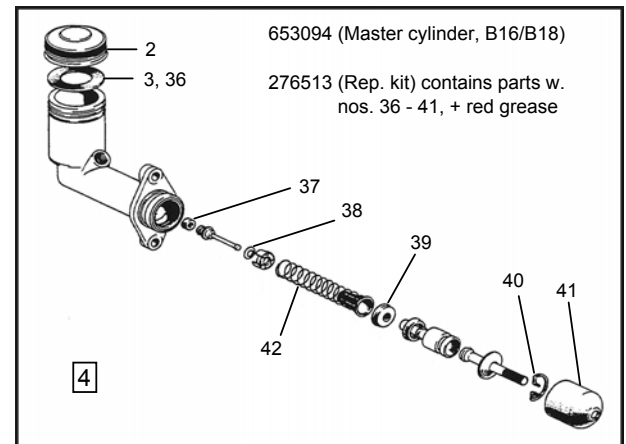
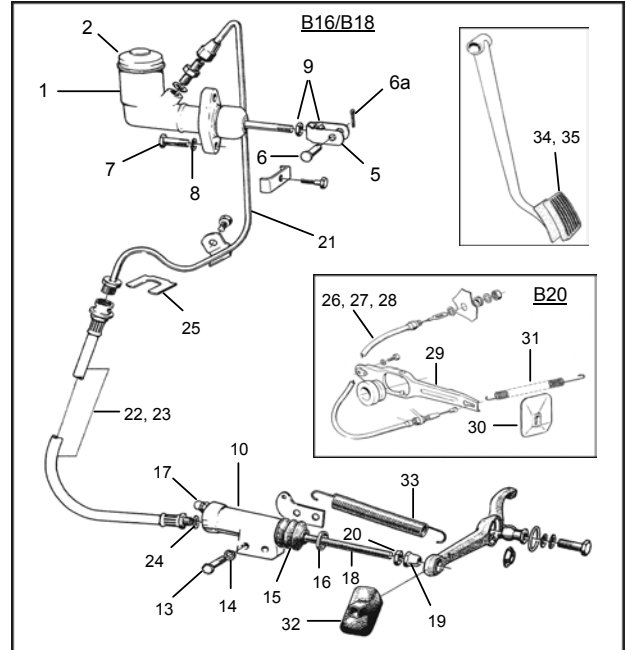
672393	Kick-down cable, for automatic gearboxes	445
669843 (R)	Brake pedal rubber, automatic cars	55

651951	Clutch kit, B16	Use B18 clutch	Call us!
181428	Release bearing	(also known as 19561)	438
1377323	(1.) Friction plate (current Fichtel & Sachs clutch)		610
1220795	(2.) Pressure plate (F & S)		825
940135	(3.) Bolt		3 pc.
380569	(4.) Release bearing for ditto (Volvo/Sachs gen.)		170
672122	(5.) Release bearing, Borg & Beck clutches ('67-)		295
271263-S	Clutch kit (F & S), with bearing (1, 2, 4)		1125
11009	Support bearing, for gearbox input shaft (R)		55
1218634-S	Crankshaft seal kit (modern oil seal type)		395



CLUTCH HYDRAULICS (B16/B18): CLUTCH CABLE (B20)

653094	(1.) Master cylinder (Lucas-Girling genuine)		720
653094-1	(1.) Master cylinder (non-genuine)		625
656479	(2.) Filler cap (in original aluminium)		55
656480	(3.) Seal, under lid (included in repair kit)		12
276513	(4.) Repair kit, master cylinder (genuine parts)		135
276513-1	(4.) Repair kit, master cylinder (repro)		92
672917	(5.) Yoke, on pushrod (renew if holes are oval)		75
913128	(6.) Clevis pin		25
907824	(6a.) Split pin		1
940135	(7.) Bolt		3
955949	(8.) Lock washer		2
955847	(9.) Nut		2
653117	Slave cylinder, B16		NLA
669782	(10.) Slave cylinder, B18 (3/4") (up to 1966)		785
276451	(11.) Repair kit (genuine)		125
276451-1	Repair kit (repro.)		75
673030	(10.) Slave cylinder, B18 (13/16") (1967-'68)		740
276572	(12.) Repair kit, 13/16" for cylinder 668365 (gen.)		Buy 273169
273169	(12.) Repair kit, 13/16" for cylinder 673030 (gen.)		175
273169-1	Repair kit (repro.)		85
955526	(13.) Bolt		8 pc.
955921	(14.) Spring washer		2
673034	(15.) Rubber dust cover (fits all, but std. from '67-)		65
673035	(16.) Lock ring for dust cover		15
656455	(17.) Bleed nipple for slave cylinder		28
656456	Rubber cover on bleed nipple		6
653093	Pushrod, B16 slave cylinder		Call
673032	(18.) Pushrod, B18 (with nos. 15. & 16.)		140
653433	(19.) Adjuster nut		27
955847	(20.) Lock nut		2
667079	(21.) Hydraulic pipe (NB. LHD cars only)		275
654493	(22.) Flexi hose, B16 (up to ch no. 2176)		318
656877	(23.) Flexi hose, later B16, all B18		185
18651	(24.) Copper gasket		4
80939	(25.) Lock fork for hose to pipe (R)		20
1206205	(26.) Clutch cable, B20 (lhd) (genuine)		220
1206205-1	(27.) Clutch cable, B20 (lhd) (repro.)		175
1206206	(28.) Clutch cable, B20 (rhd) (genuine)		365
677431	(29.) Clutch fork (B20) (ref: 1212189)		735
677465	(30.) Rubber dust cover, B20		84
677531	(31.) Return spring, B20		68
661790	(32.) Dust cover, B16 with saxomat clutch		145
663994	(32.) Dust cover, B18		140
653941	(33.) Return spring (B16 from ch. no. 9442), B18		150
666176	(34.) Pedal rubber (lhd cars) (R)		45
653238	(35.) Pedal rubber (rhd cars) (R)		45
669950	(42.) Return spring, clutch master cylinder		42

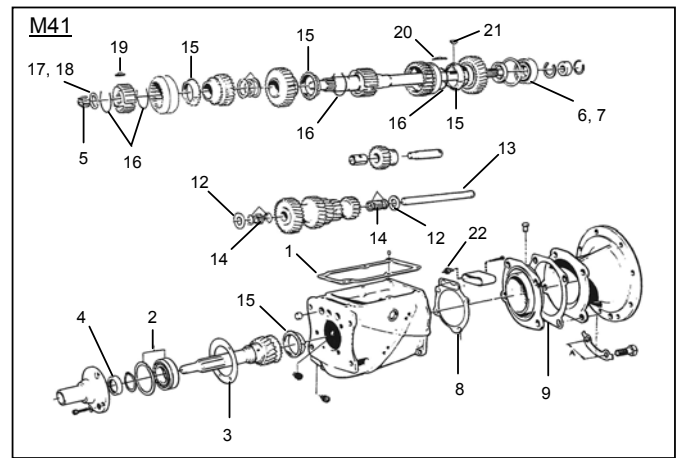
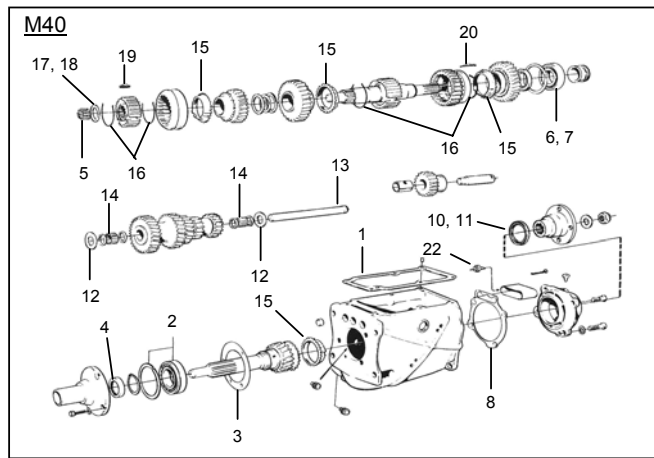


Package deal, clutch hydraulics!

CVI-094030 Overhaul kit, clutch hydraulics: ————— contains: **653094, 656877, 18651 and 673030 (genuine)** Price **1350 kr.**

Note: Please include the "R" or -1 in the part number when ordering!

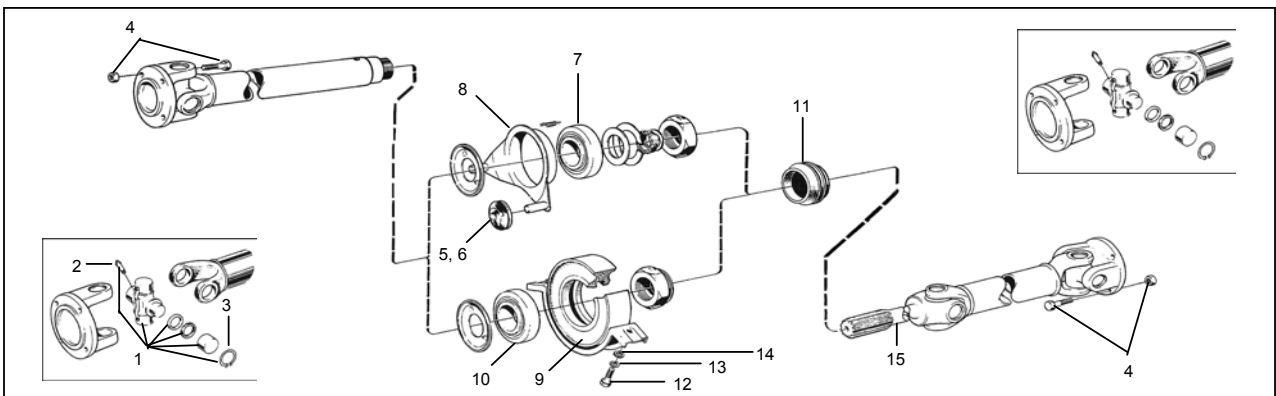
659493	Gear lever gaiter, grey, B16 -ch 54399	285	19933	(10.)	Rear oil seal (H6/M4/M30/M40, -1966)	45
659701	Gear lever gaiter, grey, late B16, B18 to 1964	410	RH - M40-1		Repair sleeve for oil seal surface on flange	285
670875	Gear lever gaiter, black, 1965-1970	250	942350	(11.)	Rear oil seal (M40, from 1967-)	65
			RH - M40-2		Repair sleeve for oil seal surface on flange	285
380130-ER	G'box lid, rebuilt <u>exchange</u> (M30/M40)	585	380192		Oil seal for speedo cable input	45
380373-ER	G'box lid, rebuilt <u>exchange</u> (M41)	610	275415-R		Gasket set, M30/M40 (up to 1966)	225
952517	Rivet for reverse gear lock plunger (2/lid)	16 pc.	275488-R		Gasket set, M30/M40 (1967-1970)	235
381107	(1.) Cork gasket, under lid	35	275416-R		Gasket set, M31/M41	210
951965	Locking pin, middle selector fork	4	656551	(12.)	Thrust washer for laygear (2/car)	44 pc.
67089	Ball, for locking gear in position, on selector	6	380157	(13.)	Countershaft for laygear	725
87972	Spring, above ball	15	19567	(14.)	Needle bearings for laygear (48/car)	2.80 pc.
11145	(2.) Bearing, on input shaft	208	656138	(15.)	Synchronising cone	275
656505	(3.) Gasket	28	86713	(16.)	Clamping ring for locating key	14
191685	(4.) front oil seal	52	191498	(17.)	Snap ring (thickness 2.1)	28
181120	(5.) Needle bearings for input shaft (14/box)	20 pc.	191499	(18.)	Snap ring (thickness 2.2)	28
11013	(6.) Rear bearing M4/M30/M40 ('66), M41 ('68)	106	656514	(19.)	Locating key (3 per box)	35
11024	(7.) Rear bearing (M40 ('67-'70), M41 ('69-'70))	144	380141	(20.)	Locating key (3 per box)	40
380800	(8.) Gasket (380128/380616)	28	191882	(21.)	Key	60
380446	(9.) Gasket, rear housing/spacer (M41)	25	663151		Bush, on linkage for auto & column change	26
			663162		Lock pin for above	38
			951670		Circlip	4



380360	(22.) Reversing light switch	76	672393		Kickdown cable for <u>automatic</u> g'boxes	445
653190	Gearbox mounting, M40	140	663605-R		Gearbox mounting, for M41	110
273060-1	Gearbox mounting kit, M40 (non-genuine)	90				

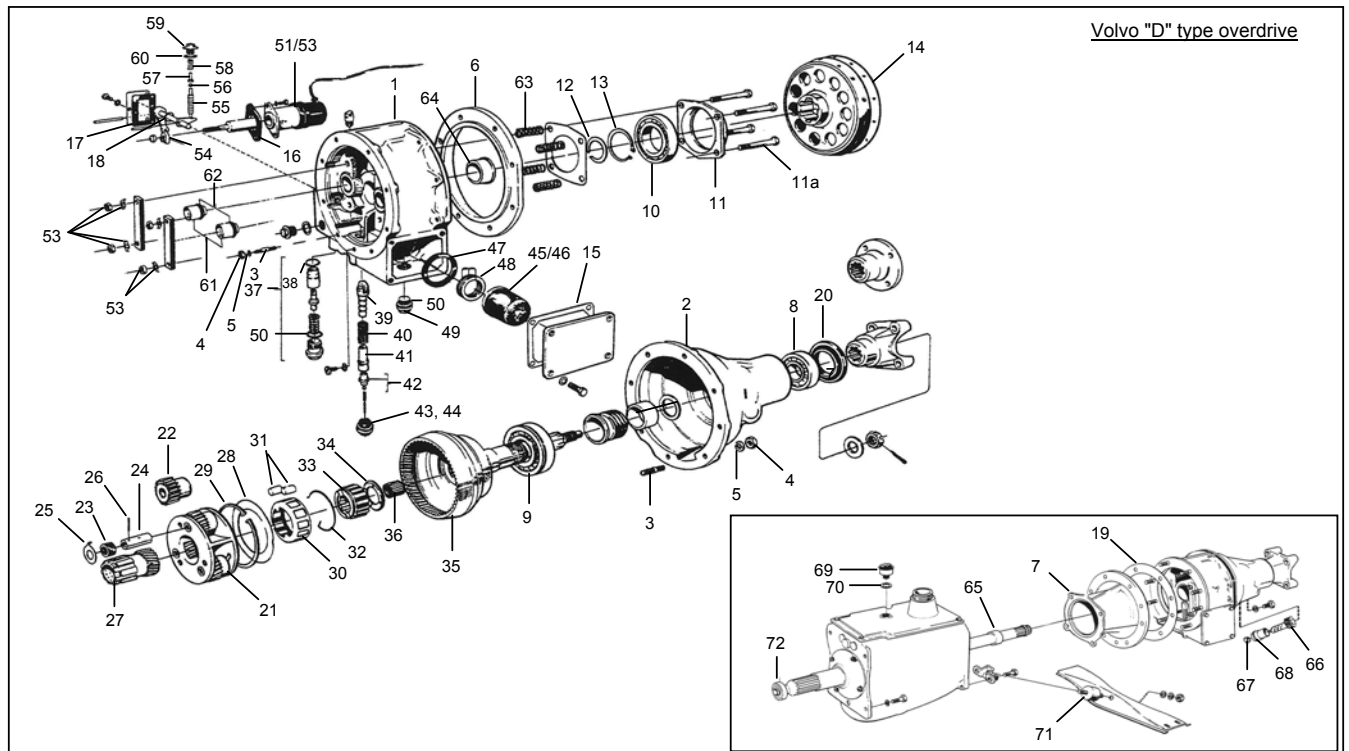
PROPSHAFT

672037	(1.) Universal joint, <u>greasable</u> (up to 1966) (3/car)	105	658516	(8.)	Bearing retainer (1961-1966)	491
192554	(2.) Grease nipple	10	675367	(9.)	Rubber gaiter, genuine (1967-1970)	145
118006	(3.) Circlip	10	675367-1	(9.)	Rubber gaiter, repro. (1967-1970)	85
1217606-1	Universal joint, non-greasable (1967-'70) R	70	181549	(10.)	Support bearing (1967-1970)	110
273202	(4.) Fitting kit for 1 flange	55 set	675587	(11.)	Rubber seal	110
653192	(5.) Suspension bush, B16 -ch 19225	28 pc.	955523	(12.)	Bolt	3
658653	(6.) Suspension bush, to 1966	27 pc.	955921	(13.)	Spring washer	2
181252	(7.) Support bearing (1957-1966)	225	955894	(14.)	Washer	2
			656766	(15.)	Yoke	725

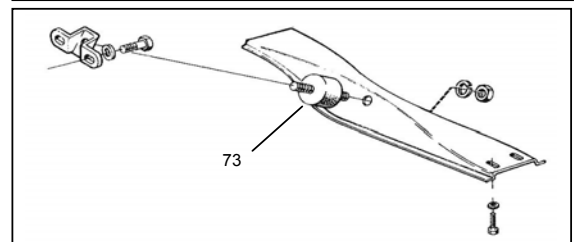
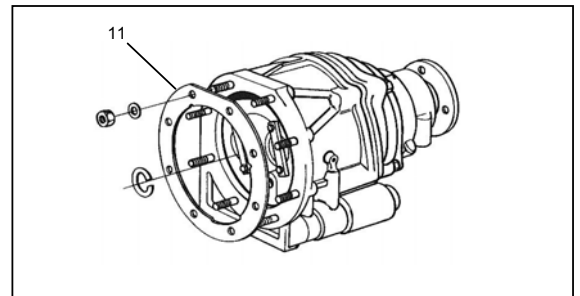
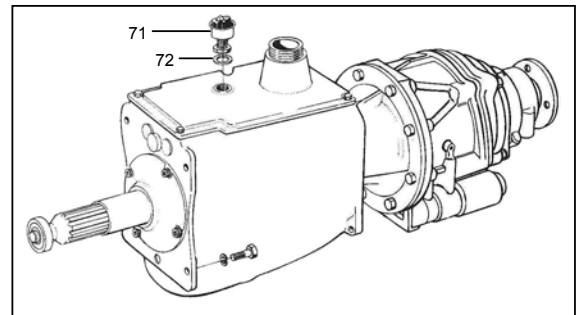
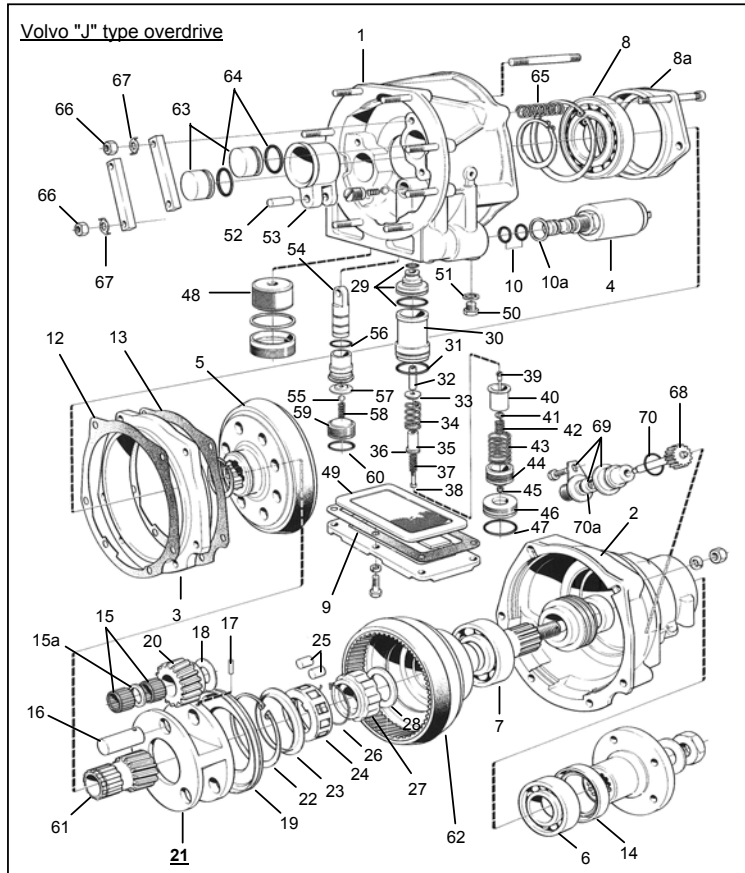


Note: Please include the "R" etc in the part number when ordering!

			<u>Price</u>			<u>Price</u>
380250	(1.) Main casing	(early type only)	2850	380411	(35.) Annulus (used only)	Call
380251	(2.) Rear casing		1850	380410	(36.) Annulus spigot bearing	130
380293	(3.) Pin stud	(40 mm) (6 per o/d)	30	380347	(37.) Relief valve (body/plunger/spring/plug/ring)	875
380294	Pin stud	(30 mm) (7 per o/d)	30	380298	(38.) O-ring, on relief valve	24
380296	Pin stud	(36 mm) (2 per o/d)	42	380243	(39.) Oil pump piston, with roller and pin	810
380297	Pin stud	(28 mm) (1 per o/d)	55	380255	(40.) Spring, for oil pump	95
380294-1	Pin stud set (complete for 1 overdrive)		325 set	380270	(41.) Sleeve, for oil pump	375
955846	(4.) Nut	(16 per o/d)	2	380262/380416	(42.) OP non-return valve (body, ball & spring)	355
955920	(5.) Spring washer	(16 per o/d)	2	380243-1	Oil pump (complete, nos. 39-42)	1275
380258	(6.) Brake ring		850	380436	(43.) Plug, for oil pump	130
380183 (380434)	7 Spacer flange between O/D & gearbox		675	18820	(44.) Copper sealing washer	10
181063	(8.) Bearing, rear		265	380274	(45.) Oil filter, earlier type	210
380306	(9.) Bearing, middle		245	380440	(46.) Oil filter, later type	210
380307	(10.) Bearing, front		375	380280	(47.) Seal	38
380268	(11.) Carrier, for front bearing		371	380441	(48.) Plastic washer set, magnetic, for <u>late</u> filter	140
380273	(11a.) Bolt		64	380282	(49.) Oil drain plug	110
380271	(12.) Circlip		45	18820	(50.) Copper sealing washer	10
380300	(13.) Circlip		45	663961	(51.) Solenoid, 6v (B16)	1285
380246(ER)	(14) Clutch cone, relined	(exchange)	1475	380617-1	(53.) Solenoid, 12v (B18)	1220
380277	(15.) Cork gasket, oil filter housing		60	380249	(54.) Operating lever	265
380351	(16.) Cork gasket, solenoid fitment		45	380415-1	Operating valve set: (55/56/57/58.)	446
380356	(17.) Gasket, solenoid inspection cover		40	380284	(59.) Plug, for operating valve	164
380291	(18.) Rubber o-ring, on solenoid lever		18	380290	(60.) Copper washer	26
380186	(19.) Gasket, main casing to spacer flange		75	380275	(61.) Operating piston	125 pc.
380295	(20.) Oil seal		110	380299	(62.) O-ring, on operating piston	28
M41D	Gasket set (with O-rings)		260	380247	(63.) Spring set	155
M41D/380295	Gasket set (with O-rings & oil seal)		340	380403	(64.) Central lubrication bush	278
CVI-WS-1	Wellseal sealing compound (for brake ring)		Call	380398	(65.) Cam (with woodruff key & lock ring)	390
380404	(21.) Planet carrier (complete)	(ref: 380245)	4250	380168	(66.) Speedo pinion, B18 (18 teeth)	Call
380408	(22.) Planet gear set		Call	380192	(67.) Oil seal, at speedo input	45
380410	(23.) Needle bearing, on planet gear		130	191117	(68.) O-ring, on speedo pinion bush	10
380409	(24.) Bearing pin (3/car)		175	662292	(69.) Inhibitor switch, on gearbox lid (4th gear)	265
380319	(25.) Thrust washer		26	11996	(70.) Copper sealing washer	16
380320	(26.) Lock pin		8	663605-R	(71.) Gearbox mounting, for M41	110
380409/10	Fitting kit for planet gears (23/24/25/26)		985 kit	11009	(72.) Support bearing for gearbox input shaft (R)	55
380244	(27.) Sunwheel		445			
380413	(28.) Uni-directional clutch retainer		125			
380414	(29.) UDC circlip		210			
380259	(30.) UDC bearing cage (cone)	} UDC (compl.) 975 (Now 274043D)	475			
273152	(31.) UDC roller set					
380257	(32.) UDC clamping ring					
380272	(33.) UDC inner bearing cone					
380256	(34.) Thrust washer		130			



254561	Overdrive unit, type J ('68-'70), <u>new</u>	7450	273135	(29.)	Seat with seal, relief valve	See 380778-1
273133	(1.) Main (front) casing	1450	380747	(30/31.)	Sleeve, for relief valve	See 380778-1
380673	(2.) Rear casing	1250	380768	(31.)	O-ring	26
380675	(3.) Brake ring	925	380779	(32-38.)	Piston assembly	See 380778-1
			936-22	(37.)	Spring (small)	50
380771	(4.) Solenoid (incl. O-rings)	1159	380778	(39-45.)	Piston, under 380779	See 380778-1
380689	(5.) Clutch cone (black lining) (now 3502761)	1550	380770	(47.)	O-ring	26
380689 (ER)	(5.) Clutch cone (grey lining) (Exchange!)	Call				
11013	(6.) Bearing, rear	106	380778-1		Relief valve (nos. 29-45 on diagram)	1110
181092	(7.) Bearing, middle	310	271454		Relief valve (current modified type, w plug)	1275
380693	(8.) Bearing, front	640	380729	(48.)	Oil filter	185
380694	(8a.) Bearing carrier	484	380719	(49.)	Oil strainer	195
			380672	(50.)	Pressure plug	55
380720	(9.) Gasket, oil sump (ref: 3502464)	65	18665	(51.)	Gasket	6
380772	(10.) O-ring, on solenoid, small	28 each				
380773	(10a.) O-ring, on solenoid, large	Call	380721 (52/53/54.)		Oil pump piston (with slide and pin)	725
			380725		Sleeve, for oil pump	485
380618	(11.) Gasket between O/D and gearbox	33	190611	(55.)	Ball (loose = 21 kr.)	} 273134-1 = 255 set
380674	(12.) Gasket, in frt of brake ring (ref: 3502462)	85	380766	(56.)	O-ring (loose = 26 kr.)	
380676	(13.) Gasket, behind brake ring (ref: 3502463)	85	273134	(57/58.)	Seat + spring, non-ret. valve	
380684	(14.) Oil seal (ref: 1232013)	110				
M41J	Gasket set (with O-rings)	290	380726	(59.)	Plug, incl. O-ring	135
M41J/380684	Gasket set (with O-rings and oil seal)	350	380767	(60.)	O-ring (loose)	26



380707	(15.) Needle bearing for planetary gear	See kit	380699	(61.)	Sunwheel	675
380709	(16.) Bearing pin (3/car)	See kit	380679	(62.)	Annulus	Call
380763	(17.) Lock pin (3/car)	See kit	6814454	(63.)	Operating piston, incl. O-ring (380698)	275
380707-1	Fitting kit, compl. planet gr. assembly (incls. nos. 15, 15a, 16, 17, 18)	985	6814455	(64.)	O-ring 380756	25
380704	(19.) Oil catcher, behind planet gear carrier	130	273151	(65.)	Spring set	185
380706	(20.) Planet gear	Call	380887R	(66/67.)	Lock nut (replaces 955846 & 380303)	6 pc.
380705	(21.) Planetary carrier (complete) (27%)	2550	380753	(68.)	Speedo pinion	439
380714	(22.) UDC (uni-directional clutch) retaining circlip	75	380751	(69.)	Pinion bearing, + connector, bracket, oil seal	365
380713	(23.) UDC oil slinger	135	380757	(70.)	O-ring	29
380712	(24.) UDC bearing cage (retainer)	} 274043 UDC (complete) 975 kr.	380752	(70a.)	Oil seal	45
273152	(25.) UDC roller set		662292	(71.)	Inhibitor switch, on gearbox lid	265
380257	(26.) Clamping ring		11996	(72.)	Copper sealing washer	16
380711	(27.) UDC inner bearing cone					
380715	(28.) Thrust washer	53	663605-R	(73.)	Gearbox mounting, for M41	110

Wheel bearings, oil seals, brake drums

Type 1 (early sedan with ENV axle)

659453	(1.) Drive shaft (type 1, early ENV)	Call
19577	(2.) Rear wheel bearing	244
114046	(3.) Oil seal	90
673788	(4.) Gasket (2 per wheel)	25 pc.
673791	(5.) Oil seal, outer (includes felt ring 19246)	95
19246	(6.) Felt ring	28
CVI-609	Wheel bearing kit, for early ENV	395

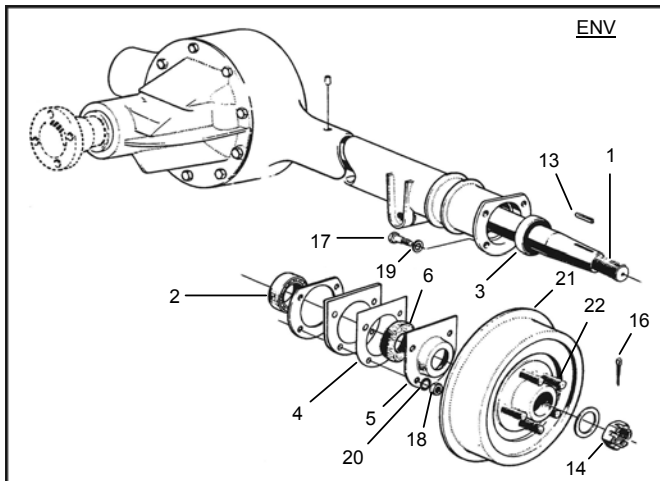
Type 2 (early P220 station wagon (various ch. nos. up to 1966))

89749/668625	Drive shaft for early P220 station wagon	NLA
19577	(2.) Rear wheel bearing	244
114275	(3.) Oil seal (on certain P220 only, up to '66)	65
673788	(4.) Gasket (2 per wheel)	25 pc.
673791	(5.) Oil seal, outer (replaces seal 89251)	95
19246	(6.) Felt ring (NB included in oil seal above)	28
CVI-621	Wheel bearing kit, various P220 to 1966	385

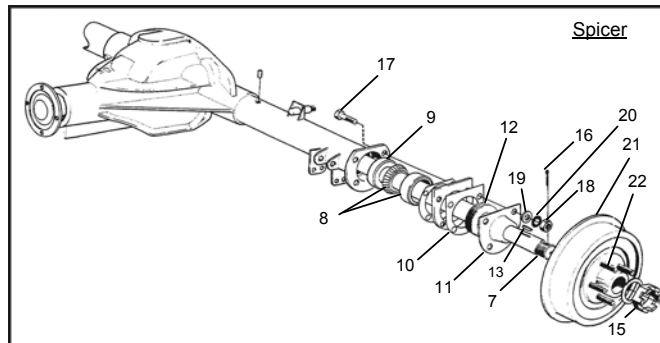
Type 3 (P220 (1966-), all sedan with Spicer axle, late ENV)

89679 (HD)	(7.) Drive shaft	NLA
181217/181189	(8.) Rear wheel bearing	355
192550	(9.) Oil seal	58
673788	(10.) Gasket (2 per wheel)	25 pc.
673791	(11.) Oil seal, outer (includes felt ring 19246)	95
19246	(12.) Felt ring	28
CVI-605	Wheel bearing kit, type 3	525

160553	(13.) Woodruff key (not early P220)	69
10506	(14.) Castellated nut (type 1, early ENV)	25
153031	(15.) Castellated nut (type 2 & type 3)	90
191174	(16.) Split pin	2
955676	(17.) Bolt	8
955848	(18.) Nut	3
940097	(19.) Washer	2
955950	(20.) Lock washer	2
FK-009	Fitting kit for 1 brake backplate (17-20.)	45



673797	(21.) Brake drum, genuine (with hub)	Call
673797-1	Brake drum (without hub) (R)	640
654490	(22.) Wheel bolt	45
87699	Wheel nut	7
9991791R	Hubpuller, to remove brake drum (repro.)	550

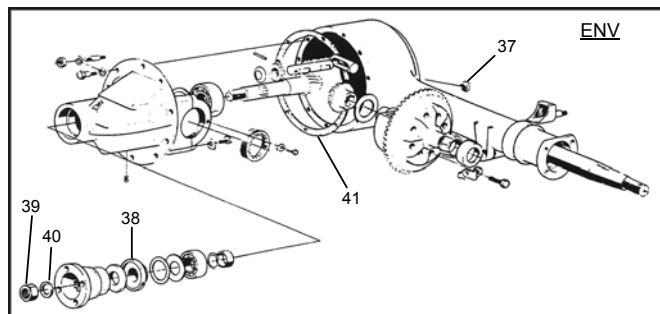
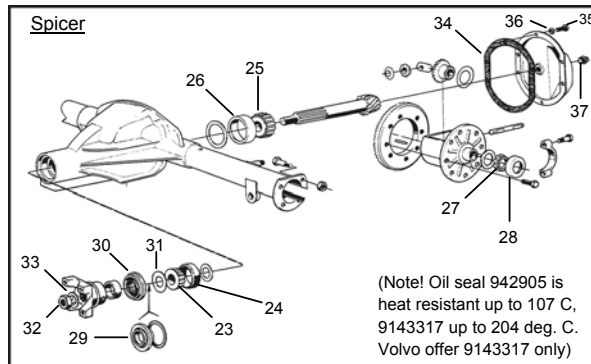


Pinion & Differential carrier bearings, M27/M30 (sedan, Spicer): Pinion oil seal (all)

181301	(23.) Inner cone, pinion (front)	228
181302	(24.) Outer cup, pinion (front)	78
181303	(25.) Inner cone, pinion (rear)	220
181304	(26.) Outer cup, pinion (rear)	134
181305	(27.) Inner cone, differential (2/car)	178
181306	(28.) Outer cup, differential (2/car)	282
181662	(28.) Outer cup (B20)	145
80507	(29.) Pinion oil seal, Spicer (early leather type)	240
942905	(30.) Pinion oil seal, Spicer (replaced 80507)	125
9143317	(30.) Pinion oil seal, Spicer (current genuine)	175

RH - SPICER	Repair sleeve, for sealing surface on pinion	285
80506	(31.) Oil deflector, behind oil seal (Spicer)	28
88726	(32.) Nut for companion flange, Spicer	118
80513	(33.) Washer	NLA
89254	(34.) Gasket for rear cover, Spicer	45
955523	(35.) Bolt for rear cover, Spicer (10 per car)	3 pc.
955921	(36.) Spring washer	2
952359	(37.) Oil filler plug, Spicer & ENV	62

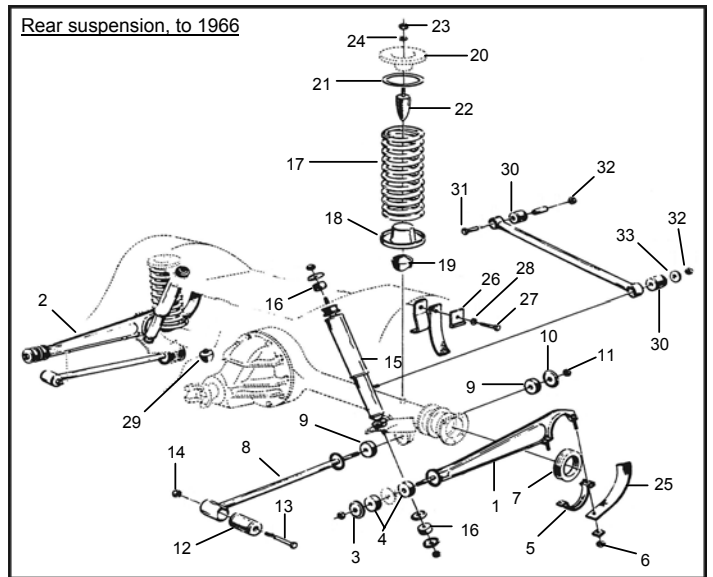
88391	(38.) Pinion oil seal, ENV (genuine)	245
88391-1	(38.) Pinion oil seal, ENV (repro.)	175
RH - ENV	Repair sleeve, for sealing surface on pinion	285
950388	(39.) Nut for companion flange, ENV	56
955900	(40.) Washer	8
87670	(41.) Gasket between front & rear casing, ENV	110



Note: Please include the "R" etc in the part number when ordering!

		Price
653442	(1.) Suspension arm, outer lhs (with nuts/washer)	345
653443	(2.) Suspension arm, outer rhs (with nuts/washer)	345
653448	(3.) Washer	25
653461-R	(4.) Front rubber bush (2 per arm)	20
653461-HR	(4.) Front rubber bush (stiffer rubber)	25
653456	(5.) Clamp	Call
950394	(6.) Nut for clamp	3
653460	(7.) Rubber ring around axle (ENV)	110
663972	(7.) Rubber ring around axle (SPICER)	110
667581	(8.) Torque rod (from approx. March '63)	592
653168-R	(9.) Rear rubber bush (2 per rod)	25
653168-HR	(9.) Rear rubber bush (stiffer rubber)	30
667535	(10.) Washer	35
950356	(11.) Lock nut	8
662797	(12.) Front silentbloc, torque rod (Volvo genuine)	135
662797-1	(12.) Front silentbloc (non-genuine)	85
955568	(13.) Bolt for silentbloc	18
950366	(14.) Nut	8
276480	(15.) Shock absorber, rear (genuine)	310
276480-R	Shock absorber, rear (Monroe)	260
BIL AR	Bilstein gas shock, rear	875
670129	(16.) Rubber cushion, for shock abs. location	12 pc.
653163	(17.) Rear spring (genuine)	485
659154	(18.) Spring seat, lower	278
667686	(19.) Rubber cushion, under spring seat	204
668777	(20.) Spring seat, upper	Call
659325	(21.) Rubber insert	110
83108	(22.) Rubber buffer, above spring	125
955783	(23.) Nut	Call
955922	(24.) Spring washer	2

		Price
672251	(25.) Check strap	55
89818	(26.) Shaped washer	35
940115	(27.) Bolt	3
940108	(28.) Spring washer	4
83107	(29.) Rubber cushion	90
87033	(30.) Rubber bush, for Panhard rod	22
955565	(31.) Bolt	15
950366	(32.) Nut	8
120802	(33.) Washer	20
653184-S	Lowering kit (4 spring kit - lowers ca 30mm)	2100

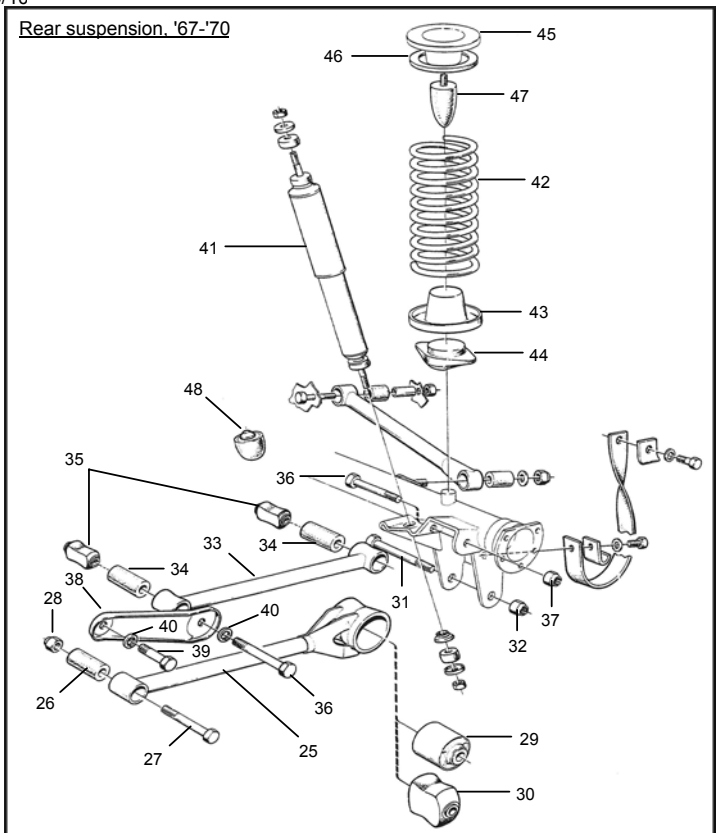


REAR AXLE SUSPENSION, SEDAN, 1967-1970

671997	(25.) Suspension arm (P120, P130 (even GT '67))	See 672609/10
672609	(25.) Susp. arm, w. bushes (P130 <u>not</u> GT or B20B)	1095
672610	(25.) Susp. arm, w. bushes (GT ch 280979-, B20B)	1095
672609-1	(25.) Suspension arm, supplied <u>without</u> bushes	695
662797	(26.) Bush, front (for all above arms - genuine)	135
662797-1	(26.) Bush, front (for all above arms) (R)	85
955569	(27.) Bolt	18
950356	(28.) Nut	8
675771	(29.) Bush, rear (only for 671997)	410
676914	(30.) Bush (<u>genuine</u>), rear (for 672609/10)	330
676914-R	(30.) Bush, rear (for 672609/10)	135
678887	(30.) Bush, rear (harder type, std. on '68 GT) (R)	140
941858 (31/32.)	Bolt (with nut 950377)	48
671996	(33.) Torque rod (4-dr, 2-dr to ch. 280978)	Use 672616
672616	(33.) Torque rod (2-dr from ch. 280979 (1968-'70))	585
672226	(34.) Bush, front & rear (for 671996)	135
678790	(35.) Bush, front & rear (for 672616)	85
955569	(36.) Bolt for above (front and rear)	18
950356	(37.) Nut	8
672031-R	(38.) Bracket	140
955560	(39.) Bolt for bracket (front)	8
940280	(40.) Spring washer	2

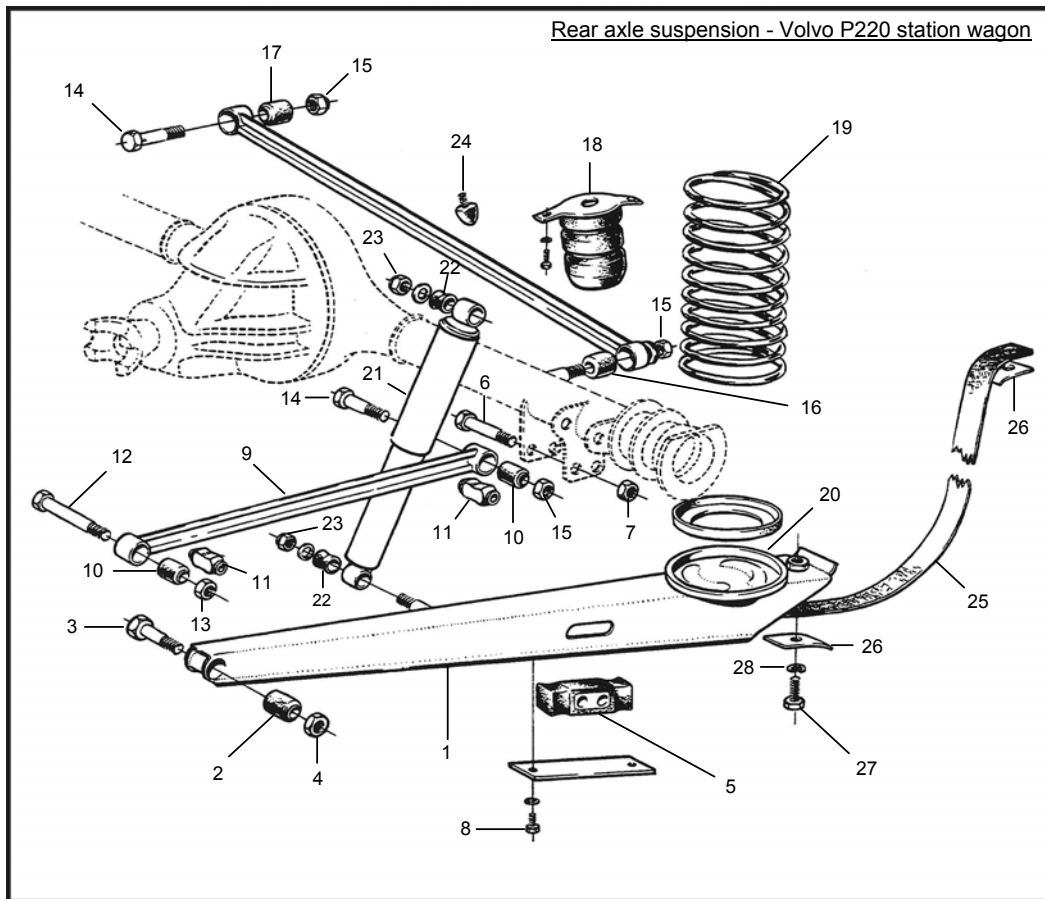
Shock absorbers + panhard rod parts See above

276553	(41.) Shock absorber kit, rear (123 GT) (2 per car)	395 pc.
672214	(42.) Rear spring (genuine)	556
659154	(43.) Spring seat, lower	278
667686	(44.) Rubber cushion, under spring seat	204
668777	(45.) Spring seat, upper	Call
659325	(46.) Rubber insert	110
83108	(47.) Rubber buffer, above spring	125
83107	(48.) Rubber cushion	90



		<u>Price</u>		<u>Price</u>
660644	(1.) Suspension arm, lh (<u>absolute top quality</u>)	2650	666416	(16.) Panhard rod bush, axle end 135
660645	(1.) Suspension arm, rh (<u>absolute top quality</u>)	2650	662797	(17.) Bush, body end (Volvo genuine) 135
660644-R	(1.) Suspension arm, lh (fully functional)	1685	662797-1	(17.) Bush, body end (R) 85
660645-R	(1.) Suspension arm, rh (fully functional)	1685	666905	(18.) Hollow rubber spring 810
662797	(2.) Bush, front (Volvo genuine)	135	659423	(19.) Spring (genuine) (standard) 495
662797-1	(2.) Bush, front (R)	85	669927	(19.) Spring (heavy-duty) Call
955568	(3.) Bolt	18	660873	(20.) Spring seat (use for upper & lower) 250 pc.
950366	(4.) Nut (special low nut)	8	662219	(21.) Shock absorber + fittings (genuine) <u>2/car</u> 325 pc.
660112-R	(5.) Suspension bush (standard)	270	669220	(22.) Rubber bush, for shock absorber fitting 32
660112-HR	(5.) Suspension bush (heavy-duty)	325	950366	(23.) Nut (special low nut) 8
955587	(6.) Bolt for bush	30	83107	(24.) Rubber buffer, on body 90
950367	(7.) Nut	10	660108	(25.) Check strap 55
955534	(8.) Bolt	5	89818	(26.) Shaped washer 35
672613	(9.) Torque rod, from ch. 63039	690	940114	(27.) Bolt 3
672226	(10.) Bush, torque rod, - ch 63038 (genuine)	135	940108	(28.) Spring washer 4
672226-1	(10.) Bush for torque rod, up to ch. 63038 (R)	85		
678790	(11.) Bush for torque rod, from ch. 63039	85		
191812	(12.) Bolt, front	20		
950366	(13.) Nut (special low nut)	8		
955568	(14.) Bolt, on rear of torque rod, & Panhard rod	18		
950366	(15.) Nut (special low nut)	8		

Brake drum and rear wheel bearing See "Rear axle" – page 25

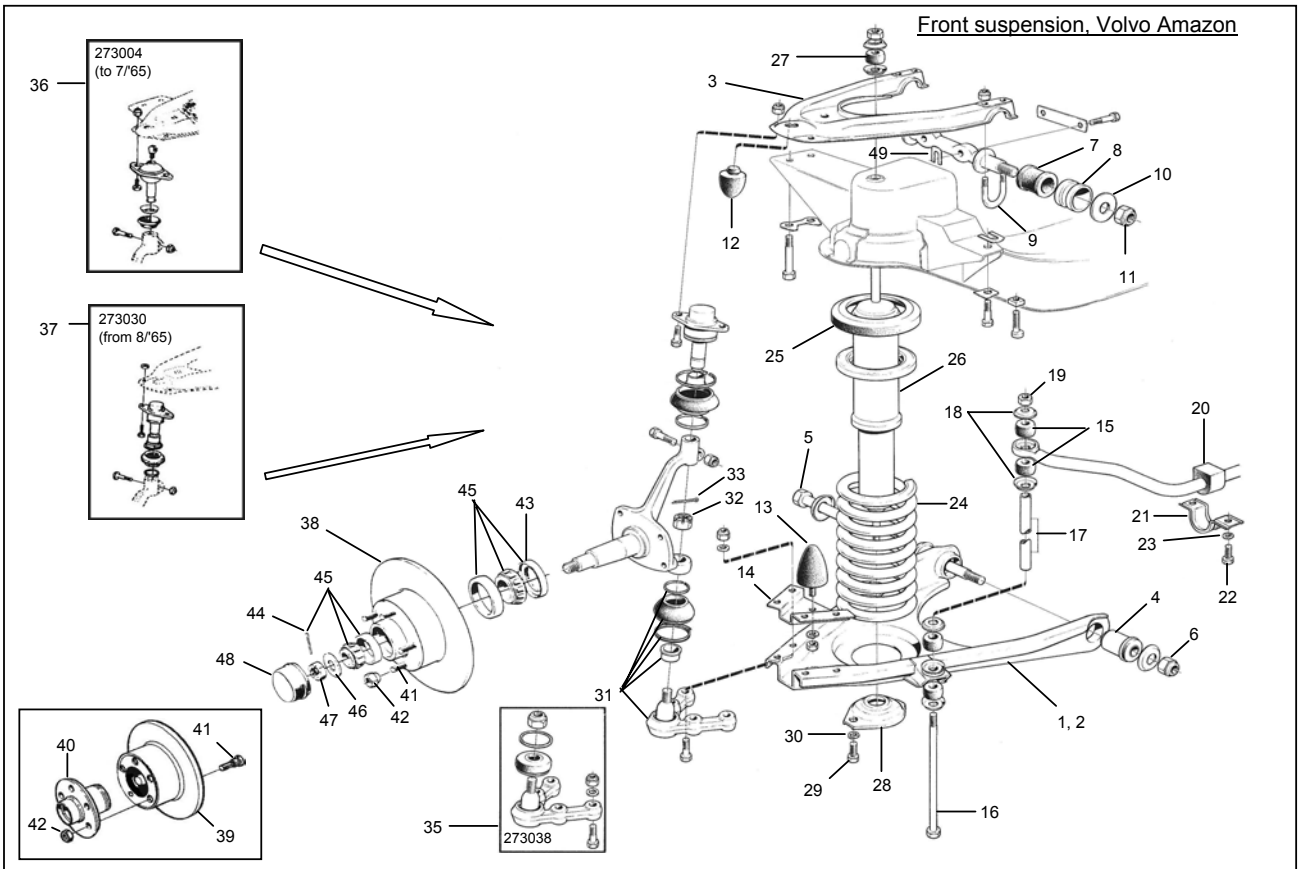


New! P220-RAC Modifying kit, to mount Amazon sedan rear axle to Amazon station wagon

Price: 1295 kr

Note: Please include the "R" etc in the part number when ordering!

		<u>Price</u>			<u>Price</u>
671351	(1.) Lower wishbone (lh)	1285	670129	(27.) Rubber cushion, shock absorber fitting	12
671352	(2.) Lower wishbone (rh)	1285	660088	Lower anchorage, early type	NLA
671440	(3.) Upper wishbone (from August 1965)	1190	672228	(28.) Lower anchorage, late type	94
87033	Lower inner wishbone bush, B16	22	955523	(29.) Bolt	3
653410	Sleeve	110	955949	(30.) Lock washer	2
653409	U bolt	110	1210298	(31.) Lower ball-joint (genuine)	480
120802	Washer	20	190142	(32.) Castle nut	89
950366	Lock nut, outer	8	907849	(33.) Split pin	1
663675	(4.) Lower inner wishbone bush, B18/B20	85	273038	(35.) Lower ball-joint kit (genuine)	740
192113	(5.) Bolt for bush (long)	265	273038-1	(35.) Lower ball-joint kit (Italian)	360
950357	(6.) Nut	14	273004	(36.) Upper ball-joint kit, to July 1965	310
87033	(7.) Upper inner wishbone bush (all)	22	273030	(37.) Upper ball-joint kit, from August 1965	210
653410	(8.) Sleeve	110		(NB. These upper ball-joints are current genuine - Italian-made. 273004 has spacer washer, and no grease nipple, but old-style genuine 273004 with grease nipple coming 2004! German-made 273030 also coming - call us.)	
653409	(9.) U bolt	110	666525	(38.) Brake disc (genuine, with hub & bolts)	Call
120802	(10.) Washer	20	666525-1	(39.) Brake disc (without hub)	640
950366	(11.) Lock nut (special low nut)	8	667238	(40.) Hub for brake disc (genuine)	Call
83107	(12.) Rubber cushion, upper wishbone	90	657874	(41.) Wheel bolt	45
83108	(13.) Rubber buffer, lower wishbone	125	87699	(42.) Wheel nut	7
653330	(14.) Bracket	155	88640	(43.) Inner grease seal (R)	60
83125*	(15.) Anti-roll bar bush (8 per car)	12	907849	(44.) Split pin	1
106841*	(16.) Bolt for anti-roll bar	145	273160-1	(45.) Wheel bearing kit (includes 88640) (R)	375/side
654049*	(17.) Spacer tube	25	1161241	Tube of grease (80 g - genuine)	42
83126*	(18.) Washer	5	87464	(46.) Thrust washer	45
955826*	(19.) Nut	3	153042	(47.) Nut	35
*273239	Anti-roll bar kit, for 1 side (15.-19.)	175	87465	(48.) Grease cap	60
657839	(20.) Anti-roll bar bush, front (2 per car)	25	276479	(26.) Shock absorber, std. (genuine) (2/car)	340 pc.
672217	(21.) Clamp	72	27652	(26.) Shock absorber (123 GT) (2 per car)	395 pc.
940114	(22.) Bolt	3	BIL AF	Bilstein front gas shock absorber (2/car)	875 pc.
955950	(23.) Lock washer	2			
653184	(24.) Spring (genuine)	425			
653642	(25.) Rubber seal, on spacer washer	115			
653184-S	Lowering kit (4 spring kit - lowers ca 30mm)	2100			



250085	(ER)(1.)	Steering-box (LHD), 1959-1967	3750
250086	(ER)(1.)	Steering-box (RHD), 1959-1967	3750
250135	(ER)(1.)	Steering-box (LHD), 1968-1970	3750
250136	(ER)(1.)	Steering-box (RHD), 1968-1970	3750

(NB. Steering-boxes are overhauled, and sold on exchange)

654011	(2.)	Sealing collar, on steering column	24
669870	(3.)	Rubber disc (coupling), to 1967	145
673060	(4.)	Steering column bush, 1968-1970	238 pc.
673041	(4a.)	Rubber bush, for 673060, '68-'70	110 pc.
114271*	(5.)	Oil seal, lower	55
678249*	(6.)	Oil seal, upper	65

659214	(7.)	Lid (1959-1967)	450
180764	(8.)	Oil filler plug (1957-1967)	139
678240	(7.)	Lid (1968-1970)	450
678241	(8.)	Oil filler plug (1968-1970)	25

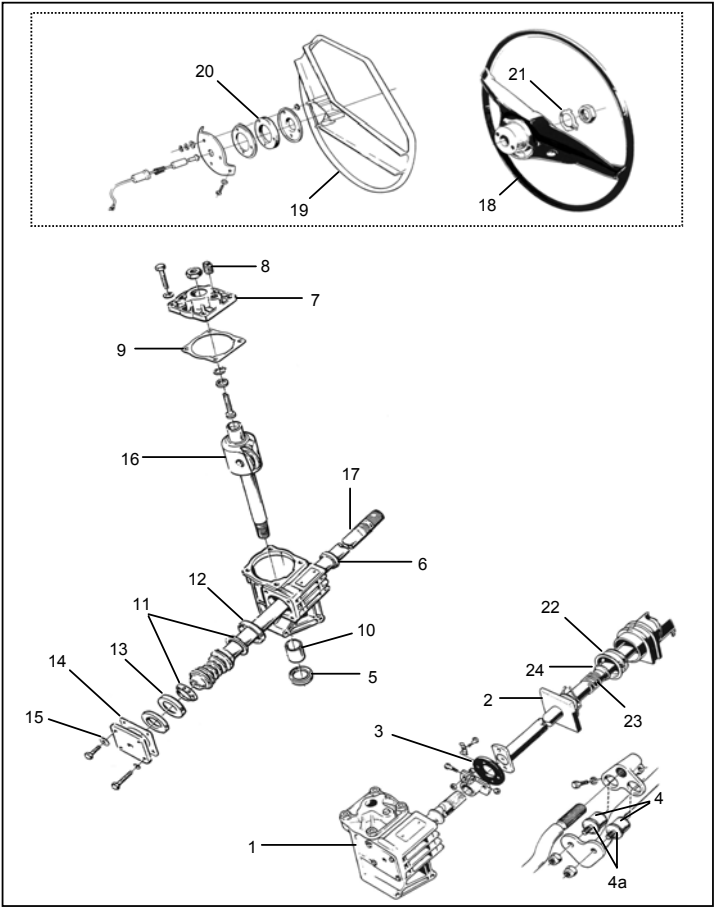
656704*	(9.)	Gasket under lid	15
85627*	(10.)	Bush for Pitman arm shaft (2/car)	50 pc.
85618	(11.)	Bearing	225 pc.
85616	(12.)	Bearing cup, upper	965
85617	(13.)	Bearing cup, lower	358
656707*	(14.)	Adjuster shim, 0.10 thickness	22 pc.
656708*	(14.)	Adjuster shim, 0.12 thickness	25 pc.
656709/10	(14.)	Adjuster shim, 0.15/0.30 thickness	22 pc.
190296*	(15.)	Lock washer, with bendable tab	10 pc.

***54929 Steering-box re-bushing set (complete) 285**
54929-R Steering-box set (less shims/tab washers) 210

662349	(16.)	Pitman arm shaft (LHD)	Call
662350	(16.)	Pitman arm shaft (RHD)	2750
662347	(17.)	Steering worm, LHD (up to 1967)	Call
662348	(17.)	Steering worm, RHD (up to 1967)	Call
673042	(17.)	Steering worm, LHD (1968-1970)	4300

670003-B	(18.)	Steering-wheel: good second-hand	1200
9992263-R		Steering-wheel removal tool, to 1966	185
9992264-R		Steering-wheel removal tool, 1967-1970	185

654415-B	(19.)	Horn ring (good used), to 1967	650
654653	(20.)	Insulating washer	35
671430	(21.)	Lock washer, for steering-wheel nut	15



85611	(22.)	Bearing	470
85612	(23.)	Spring	48
85613	(24.)	Seat	45

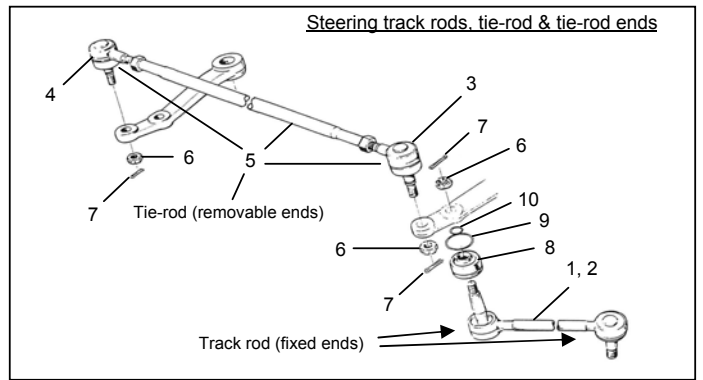
STEERING TRACK RODS AND TIE-RODS

658596	(1.)	Track rod, lhs (genuine)	450
658597	(2.)	Track rod, rhs (genuine)	450
658596-1		Track rod (lhs) (Italian)	325
658597-1		Track rod (rhs) (Italian)	325

658431	(3.)	Tie-rod end, lhs (genuine)	195
658432	(4.)	Tie-rod end, rhs (genuine)	195
660979	(5.)	Tie-rod (with tie-rod ends - TRW genuine)	1255
660979-1	(5.)	Tie-rod (with tie-rod ends - German)	Call

190573	(6.)	Castellated nut (included on track/tie rods)	95
907824-RS	(7.)	Split pin (stainless)	2

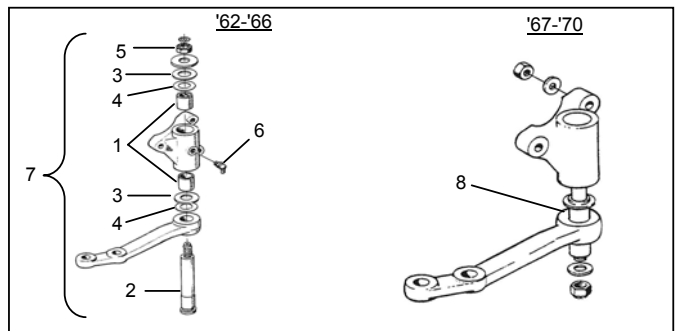
670877	(8.)	Rubber dust cover, with Lock ring/tensioner ring (9/10.)	60
--------	------	----------------------------------------------------------	----



IDLER ARM

54928		Repair kit for early idler arm (to 1961)	Call
663709	(1.)	Bush for idler arm ('62-'66)	110 pc.
666402	(2.)	Shaft	544
669255	(3.)	Vulcollan washer	11 pc.
190702/11/192490	(4.)	Shims (thickness 0.10/0.15/0.35)	from 8 kr
950356	(5.)	Nut	8
914170	(6.)	Grease nipple	10
276521	(7.)	Repair kit for idler arm (1962-1966)	610

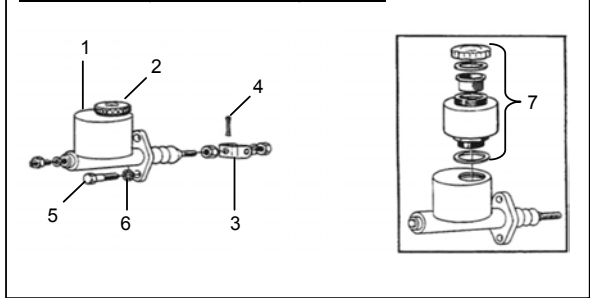
671444	(8.)	Bush for idler arm, 1967-'70	168
671444-1	(8.)	Bush (non-gen.)	110



Brake master cylinder

655879	Brake master cylinder, B16, ch. 160- 64859	1860
276405	Repair kit for B16 cylinder (genuine)	160
662186	(1.) Brake master cylinder, B18 (B16 ch 64860-)	865
666144	(2.) Filler cap	68
276461	Repair kit, genuine	275
276461-X	Repair kit, genuine (includes piston ass'y.)	340
276461-1	Repair kit (non-gen., rubbers + valve only)	120
64947011	Red brake cyl. grease for cylinder o'haul	28
672425-R	Brake light switch	60
672917	(3.) Yoke (renew if bolt holes are oval)	75
907824	(4.) Split pin	1
940135	(5.) Bolt	3
955949	(6.) Lock washer	2
672769	(7.) Accessory reservoir, complete (R)	340

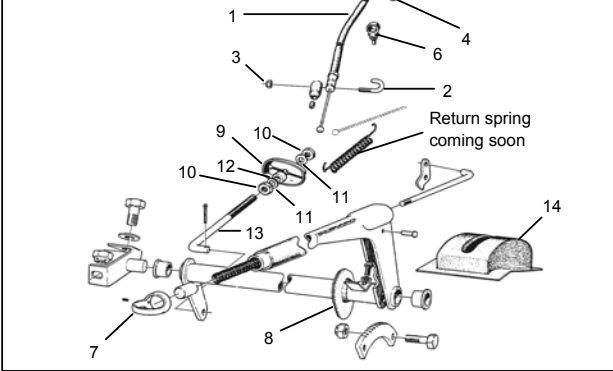
Brake master cylinder: accessory reservoir



Handbrake system

658842	(1.) Handbrake cable, <u>genuine</u>	165
80969	(2.) Clamp (U-bolt), cable to body	17
950373	(3.) Lock nut	5
658843	(4.) Clamp, cable to back plate, lh (stainless)	85
658844	(4.) Clamp, cable to back plate, rh (stainless)	85
191260	(5.) Screw	NLA
661428	(6.) Rubber holder for cable	55
660651	(7.) Plastic brace on handbrake lever	38
653608	(8.) Rubber seal	125
666418	(9.) Draw brace	40
955826	(10.) Nut	3
955894	(11.) Washer	2
667889	(12.) Spacer sleeve	20
666419	(13.) Pull rod	75
669582	(14.) Handbrake lever gaiter (grey), up to 1964	175
670876	(14.) Handbrake lever gaiter (black), (1965 - 1970)	175

Handbrake system

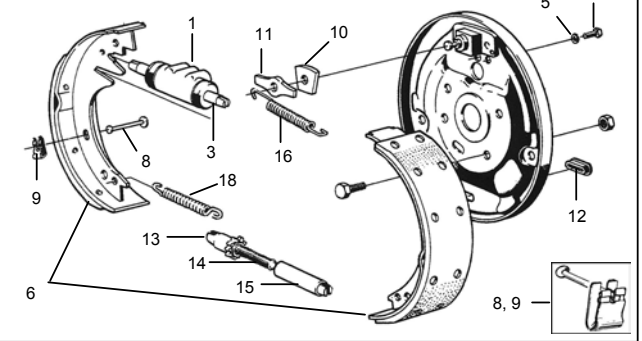


Wagner Lockheed System: Drum Brakes all round (121 -1964, 122S -1961)

655671/72	Wheel cylinder, front, lh/rh up to ch. 15238	NLA
273021	Repair kit for above (genuine parts)	80 (pair)
659673	(1.) Wheel cylinder, front, from ch. 15239	285
273022	Repair kit (with return spring)	80
87451	Wheel cylinder, rear, up to ch. 15238	360
273021	Repair kit (with return spring)	80
659683	(2.) Wheel cylinder, rear, ch. 15239-78484	260
273023	Repair kit (with return spring)	110
667166	(2.) Wheel cylinder, rear, from ch 78485	260
273024	Repair kit (with return spring)	95
64947011	Red brake cyl. grease for cylinder o'haul	28
87462	Bleed nipple (for all cylinders)	15
659676	(3.) Pushrod (2 per cyl.)	28 pc.
955512	(4.) Screw, wheel cyl. to backplate	2
955920	(5.) Lock washer	2
271812	(6.) Brake shoe set, front, from ch. 15239	365
271813	(7.) Brake shoe set, rear, from ch. 15239	285
64947012	Copper paste for fitting brake shoes (2 oz)	45
659663	(8.) Guide pin, for brake shoe fitting	15
659664	(9.) Spring clip (old-style genuine - the best!)	18
659663/64-1	Guide pin and clip set, for one axle	95 set
669916	(10.) Guide washer (arrow must point forwards)	30
659670	(11.) Retainer	Call
659672	(12.) Rubber plug, for adjuster hole	10
273172	Guide pin kit: 659663/64 + 669916 + 659672	175 axle
659665/66/67	Brake adjuster (13/14/15.)	Call
659694	(16.) Return spring, upper (front brakes only)	Call
667160	(17.) Return spring, upper (rear brakes only)	25 pc.
659668	(18.) Return spring, lower (front and rear brakes)	22 pc.
667160-1	Return spring set, rear (6 pcs.)	95 set
CVI-Set 3:	Guide pin & return spring set (rear)	140 set
88830	(19.) Clip, for handbrake lever on rear shoe	17
673797	Brake drum, genuine (with hub)	Call
673797-1	Brake drum (without hub)	640

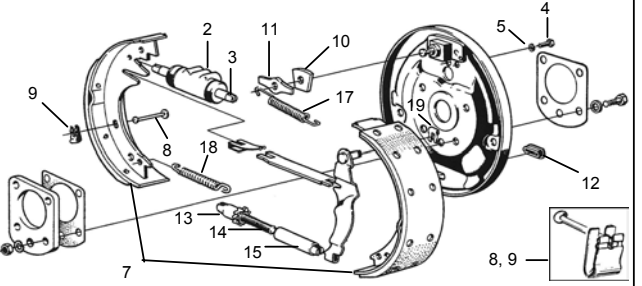
666176	Pedal rubber, lhd	(R)	45
653238	Pedal rubber, rhd	(R)	45

Wagner front brakes, 1958 - 1964



FK-015 Fitting kit, front backplate 40 side

Wagner rear brakes, 1958 - 1964

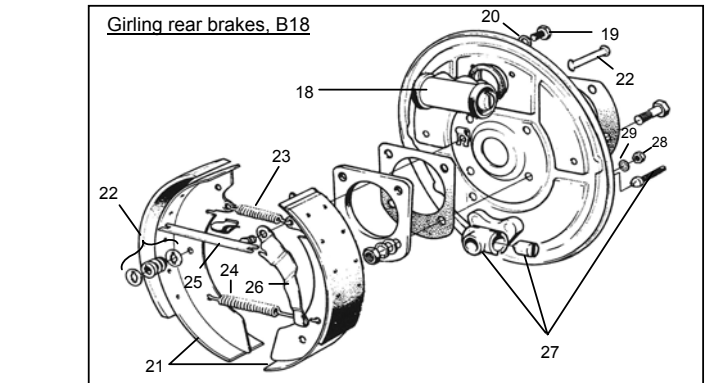
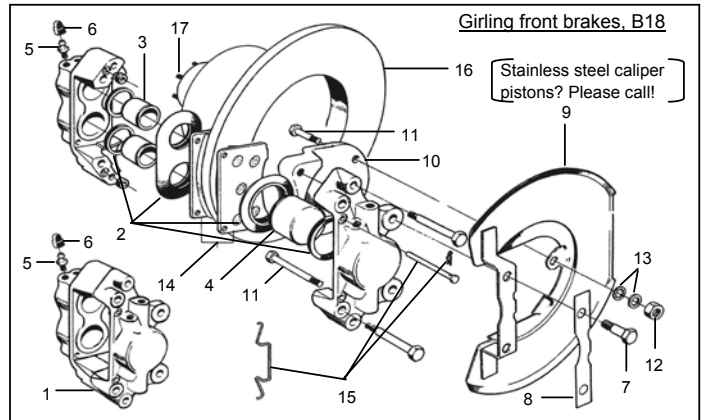


9991791R	Hub-puller, for removal of rear drum	550
653820	Brake hose, front	125
87695	Brake hose, rear	125
18651	Copper washer, for brake hoses	4
80939	Lock fork (R)	20
87698	Nut for brake pipes	8
FK-009	Fitting kit, rear backplate	45 side

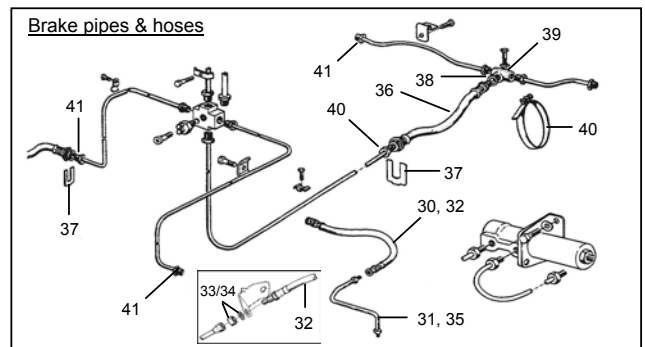
Girling System: Discs front, Drums rear (121 65-'68, 122S '62-'68, 123 GT '67-'68)

			<u>Price</u>
670728 (ER)(1.)	Brake caliper, <u>exchange</u> reconditioned, lhs		920
670729 (ER)(1.)	Brake caliper, <u>exchange</u> reconditioned, rhs		920
	(NB. Core charge is now sek 500 per piece)		
276489 (2.)	Repair kit for 2 calipers (genuine)		485 pair
276489-R	Repair kit for 1 caliper (repro.)		140 pc.
667593 (3.)	Piston, small (genuine) (2 per caliper)		340 pc.
667593-R (3.)	Piston, small (repro.) (2 per caliper)		110 pc.
667592 (4.)	Piston, large (genuine) (1 per caliper)		180
667592-R (4.)	Piston, large (repro.) (1 per caliper)		125
664823 (5.)	Bleed nipple		18
656456 (6.)	Dust cover		6
276489-1 (R)	Overhaul kit (for 2 calipers)		870
	(contains pistons, seals, bleed nipples)		
668905 (7.)	Bolt for fitting of caliper (2 per caliper)		18 pc.
669012 (8.)	Lock washer (with bendable tabs)		42 pair
668333/34 (9.)	Backplate, lhs/rhs		490 pc.
666528/29 (10.)	Bracket, later type, lh/rh (second-hand only)		265 pc.
FK-008 (11-13)	Fitting kit, backplate to stub axle		35/side
270987 (14.)	Brake pad set, for both calipers		240
272691 (15.)	Fitting kit, for both calipers		30
666176	Pedal rubber (LHD cars) (R)		45
653238	Pedal rubber (RHD cars) (R)		45
671216 (18.)	Wheel cylinder, 1" inner diameter, 121 ('65-'67) (P220-'68), Amazon 122S ('62-'66)		155 each
276573	Repair kit, Girling genuine, for 2 cylinders		140 pair
670404 (18.)	Whl. cylinder, 7/8", 121 (1968), 122S ('67-'68) (NB. Not for 122S USA 1968 - see page 32)		175 each
276407	Repair kit, Girling genuine, for 2 cylinders		150 pair
656455	Bleed nipple for cylinders		28 pc.
656456	Dust cover for nipple		6 pc.
662518 (19.)	Screw, cylinder to backplate		24 pc.
940155 (20.)	Lock washer		2
271814 (21.)	Brake shoe set, rear, '62-'70 (genuine)		275
271814-1 (21.)	Brake shoe set, rear, '62-'70 (repro)		225
64947012	Copper paste for fitting brake shoes (2 oz)		45
273171 (22.)	Fitting kit (genuine)		110 axle
273171-1	Fitting kit, <u>with</u> return springs (nos. 22-24)		95 axle
671201 (25.)	Link		72
671202 (26.)	Lever, lhs (rhs NLA)		355
668667 (27.)	Brake adjuster unit (genuine)		265
955846 (28.)	Nut (for brake adjuster)		3
940155 (29.)	Lock washer		2
673797	Brake drum	See page 25	Call
9991791R	Hub-puller, for removal of rear drum		550
671592 (30.)	Brake hose (1962-1965)		125
670744/45 (31.)	Brake pipe, for use with 671592 (lh/rh) (made of coppernickel!)		110 per pc.
671799 (32.)	Brake hose (1965-'70)		110
955858 (33.)	Nut for 671799		5
955950 (34.)	Lock washer		2
671808/09 (35.)	Brake pipe, for use with 671799 (lh/rh) (made of copper nickel!)		110 per pc.
87695 (36.)	Brake hose, rear (all models 1957-'68)		125
80939 (37.)	Lock fork (R)		20
18651 (38.)	Copper washer for rear hose		4

			<u>Price</u>
666525 (16.)	Brake disc, genuine (fits from '63/'64) (fits earlier cars provided caliper brackets (no. 10) are changed to later type)		Call
666525-1	Brake disc, without hub (R)		640
657874 (17.)	Wheel bolt		45
87699	Wheel nut		7

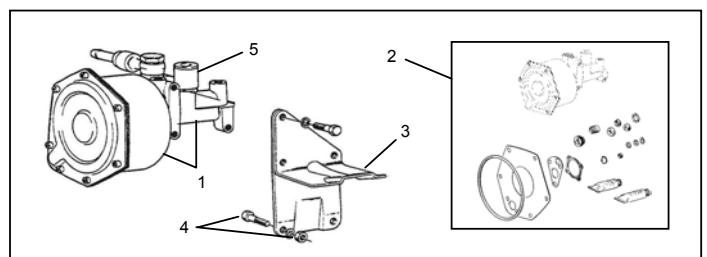


87696 (39.)	Three-way union		120
18363 (40.)	Clamp (now 18355)		30
87698 (41.)	Nut for brake pipes		8



Brake servo (booster)

670921 (ER)(1.)	Brake servo, Girling (<u>exchange</u>) (We must receive old unit <u>before</u> shipping)		3975
276556 (2.)	Repair kit, Girling servo (with instructions)		710
663713 (B) (3.)	Bracket, for fitting of Girling servo		325
FK-670921 (4.)	Fitting kit, bracket to wheel housing		28 kit
671056/57 (5.)	Air filter/cover, Girling servo (R)		145 set
669590	Valve on "T"-piece		140 pc.
942464	Servo hose		Call
L-276	Lockheed servo kit		2600
VH 44	PBR servo kit		2600



(NB. Fitted to cars exported mainly to the USA, in 1968)

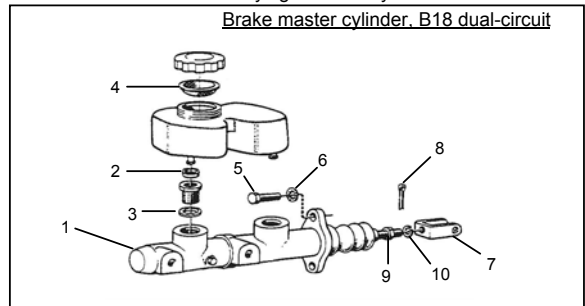
A Note about this System

This particular system was an oddball one, as far as we can see hastily put together by Volvo in late 1967 to comply with US safety and local content regulations, which must have come into play at some stage during that year (after 1968 Amazons were no longer sold in the USA). The system uses Girling disc brakes at the front, coupled with Wagner Lockheed drum brakes at the rear, and with the peculiarity of a Girling remote brake servo which works on the front wheels only. The master cylinder is of the dual-circuit tandem type, made especially for Volvo by Wagner Lockheed. Repair kits for the originals are available. We are now also able to offer a new complete (repro) cylinder (less the reservoir).

Brake master cylinder

672825	(1.) Brake master cylinder	(R)	2100
273076	Repair kit (genuine), with piston		465
273076-1	Repair kit (rubbers only)	(R)	125
678237	(2.) Rubber sleeve	(2 per car)	45
18677	(3.) Washer (gasket)		12
681659	(4.) Strainer		81
940135	(5.) Bolt		3
955949	(6.) Lock washer		2
672917	(7.) Yoke (not for automatic cars)		75
913128	Clevis pin for yoke		25
907824	(8.) Split pin		1
955847	(9.) Nut		2
955921	(10.) Spring washer		2

64947011 Red brake cyl. grease for cylinder o'haul 28

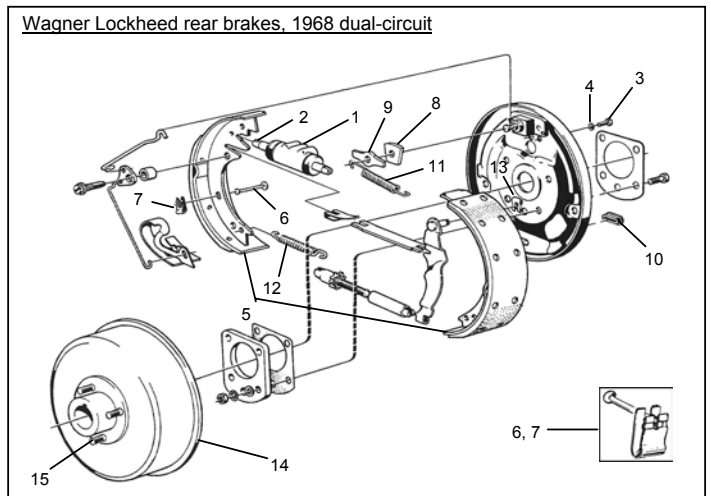


Front brakes: See "Girling System: front brakes" - Page 31

Handbrake System: See Page 30 or Page 33

Rear Drum Brakes - 1968 Dual-Circuit

667166	(1.) Wheel cylinder, P130 sedan		260
273024	Repair kit, sedan (with return spring)		95
673391	(1.) Wheel cylinder, P220 station wagon		365
273022	Repair kit, P220 (with return spring)		80
64947011	Red brake cyl. grease for cylinder o'haul		28
87462	Bleed nipple, on wheel cylinders		15
659676	(2.) Pushrod (2/cyl.)		28 pc.
955512	(3.) Screw, wheel cyl. to backplate		2
955920	(4.) Lock washer		2
656456	Dust cover for nipple		6 pc.
271813	(5.) Brake shoe set, 1 axle (genuine)		285
64947012	Copper paste for fitting brake shoes (2 oz)		45
659663	(6.) Guide pin, for brake shoe fitting		15
659664	(7.) Spring clip (old-style genuine - the best!)		18
659663/64-1	Guide pin and clip set, for one axle		95 set
669916	(8.) Guide washer (arrow must point forwards)		30
659670-B	(9.) Retainer (second-hand only)		30
659672	(10.) Rubber plug, for adjuster hole		10
273172	Guide pin kit (1 axle): Set 1 + 669916 + 659672		175



667160	(11.) Return spring, upper		25 pc.
659668	(12.) Return spring, lower		22 pc.
667160-1	Return spring set	(6 pcs.)	95 set
88830	(13.) Clip, for handbrake lever on rear shoe		17

673797	(14.) Brake drum, genuine (with hub)		Call
673797-1	Brake drum (without hub)		640
9991791R	Hub-puller, for removal of rear drum		550
654490	(15.) Wheel bolt		45
87699	Wheel nut		7

Brake Servo (booster): See Page 31

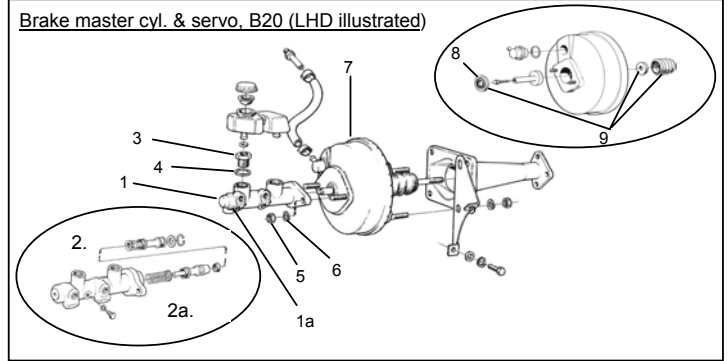
Brake Hoses. Pedal rubbers. Brake light switch. Reduction valve

671799	Brake hose, front	110	87696	Three-way union, on rear axle casing	120
955858	Nut for 671799	5 pc	18355	Band clamp, around axle	30
955950	Lock washer for 671799	2 pc			
87695	Brake hose, rear	125	679364-R	Brake light switch	65
80939	Lock fork	20	666176	Pedal rubber (R)	45
18651	Copper washer for rear hose	4	669843-R	Pedal rubber (automatic cars) (R)	55

Note: Please include the "R" etc in the part number when ordering!

Brake Master Cylinders (LHD & RHD) and Servo (LHD new, RHD exchange only)

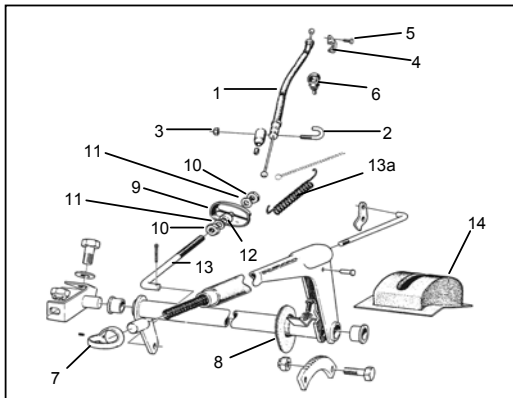
676257	(1.) Brake mast. cyl. (LHD, set screw on side)	See below
273076	(2.) Repair kit (genuine), with piston	465
273076-1	Repair kit (rubbers only) (R)	125
678237	(3.) Rubber sleeve (LHD & RHD) (2 per car)	45
18677	(4.) Washer (gasket)	12
955848	(5.) Nut	3
942336	(6.) Spring washer	2
1212406R lt	Brake mast. cyl. (LHD, set screw on top)	725
273226	Repair kit (complete), with pistons	395
273226-1	Repair kit (seals only) (R)	125
676256	(7.) Brake servo (LHD cars only)	now 1387640
	Seal (8.) (incl. in repair kit 273077 (x))	
273077 (X)	(9.) Rep. kit, for 676256 (without non-ret. valve)	325
1387640	Brake servo (LHD) (current genuine)	2950
673766	(1a.) Brake master cylinder (RHD), genuine	1180
673767	Brake fluid reservoir for B20 (RHD) cylinder	495
673768 (ER)	Brake servo (RHD), <u>exchange</u> only	3975



273125	(2a.) Repair kit, RHD cyl. (includes pistons)	460
273125-1	Repair kit (RHD), non-gen. (rubbers only)	125

Handbrake system

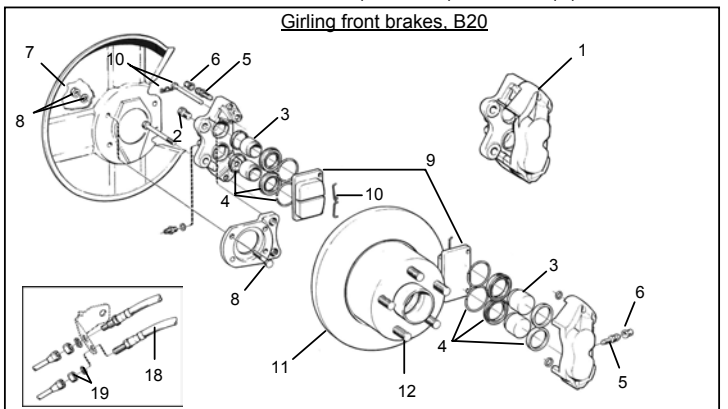
658842	(1.) Handbrake cable, <u>genuine</u>	165
80969	(2.) Clamp (U-bolt), cable to body	17
950373	(3.) Lock nut	5
658843	(4.) Clamp, cable to back plate, lh (stainless)	85
658844	(4.) Clamp, cable to back plate, rh (stainless)	85
191260	(5.) Screw	NLA
661428	(6.) Rubber holder for cable	55
660651	(7.) Plastic brace on handbrake lever	38
653608	(8.) Rubber seal (R)	125
666418	(9.) Draw brace	40
955826	(10.) Nut	3
955894	(11.) Washer	2
667889	(12.) Spacer sleeve	20
666419	(13.) Pull rod	75
653625	(13a.) Return spring	Coming 2004
670876	(14.) Handbrake lever gaiter, black (1965 - 1970)	175



Footbrake system

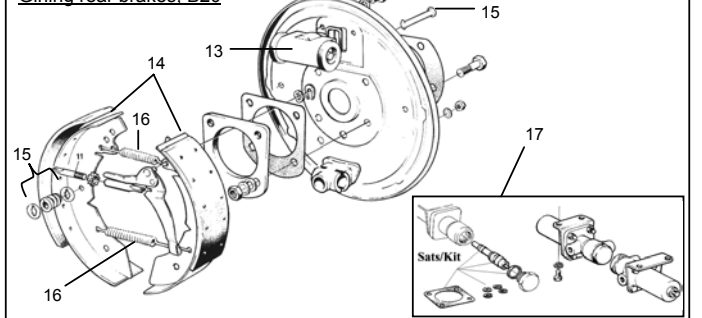
684432 (ER)	(1.) Brake caliper, <u>exchange</u> reconditioned, lhs	860
684433 (ER)	(1.) Brake caliper, <u>exchange</u> reconditioned, rhs	860
943506	(2.) Bolt, caliper to bracket (2 per caliper)	11
678142	(3.) Piston (4 per caliper) (genuine)	236
678142-R	(3.) Piston (4 per caliper) (repro.)	120
273071	(4.) Repair kit (seals), 2 calipers (genuine)	620
273071-R	Repair kit for 1 caliper (repro.)	145
678155	(5.) Bleed nipple (3 per caliper)	15 pc.
656456	(6.) Dust cover (incl. in rep. kit 273071)	6
673773	(7.) Backplate, lhs	480
673774	(7.) Backplate, rhs	480
FK-008	(8.) Fitting kit, backplate to stubaxle (2/car)	35/side
271739	(9.) Brake pad set (for both front wheels)	210
272691	(10.) Fitting kit (both wheels)	30
666525	(11.) Brake disc, genuine (with hub)	Call
666525-1	Brake disc, without hub	640
657874	(12.) Wheel bolt	45
87699	Wheel nut	7
673731	(13.) Wheel cylinder	175 each
273275	Repair kit, genuine, for two cyls. (273167)	170 pair
273275-R	Repair kit, repro., for one cylinder	65
678155	Bleed nipple	15
656456	Dust cover for bleed nipple	6
271814	(14.) Brake shoe set (1 axle) (genuine)	275
271814-1	(14.) Brake shoe set (1 axle) (repro)	225
273171	(15.) Fitting kit (<u>genuine</u>)	110 axle
273171-2	Fitting kit (incl. return springs) (15 + 16.)	95 axle
673797	Brake drum, genuine (<u>with</u> hub)	Call
673797-1	Brake drum (<u>without</u> hub)	640
654490	Wheel bolt	45
87699	Wheel nut	7
679364-R	Brake light switch	65
273090-R	(17.) Repair kit for reduction valve (<u>excls.</u> piston)	165 pc.

666176	Pedal rubber (LHD cars) (R)	45
653238	Pedal rubber (RHD cars) (R)	45



671799	(18.) Brake hose, front (4/car)	110 pc.
955858/942336	Nut and lock washer for 671799 (19.)	5 pc./2 pc.
670201 (G)	Brake hose, rear (Girling) (2/car)	125 pc.

Girling rear brakes, B20



661924	(1.)	Front wing (lhs)	(no. 1 on page 35)	4250	615012/13	(35.)	Rear wheel arch, rear outer (lh/rh)	210 pc.
661925	(2.)	Front wing (rhs)	(no. 2 on page 35)	4250	902055-1/2		Rear wheel arch, rear inner (lh/rh)	180 pc.
CVI-LA1		Alum. mudguard set for frt. wing w. fittings		945 pair				
661987		Rubber seal, on rear upright of front wing		75	659445-DE	(36.)	Rear wing, <u>rear corner</u> repair:	
943039-R		Bolt/washer, front wing fixing along top rail		5 pc.	659446-DE		Type <u>with</u> spotweld flange at rear, lhs	425
941961		Speed nut, in top rail	(6 per side)	9 pc			Type <u>with</u> spotweld flange at rear, rhs	425
276465		Fitting kit, for front wing (genuine, complete)		236	653270	(37.)	Wheel housing, outer, rhs (fits all models)	1420
276465-R		Fitting kit, for front wing (excls. rubber seal)		95	653269-X		Outer wheel housing <u>repair</u> section, lhs	685
					653270-X		Outer wheel housing <u>repair</u> section, rhs	685
615006	(3.)	Inner wing repair (lhs)	(genuine)	495				
615007	(4.)	Inner wing repair (rhs)	(genuine)	495	657633	(38.)	Rear ribbed panel, sedan, lhs	656
657617-R	(5.)	Reinforcing section	(incl. on 615006)	265	657634	(39.)	Rear ribbed panel, sedan, rhs	656
657618-R	(6.)	Reinforcing section	(incl. on 615007)	265	657633/34 (R)		Rear ribbed panel, <u>non-genuine</u> (lh/rh)	375 pc.
653418	(7.)	Cowl (exactly as original), lhs, galvanised		275	662549	(40.)	Rear side panel, P220 (lhs)	625
653419	(8.)	Cowl (exactly as original), rhs, galvanised		275	662550	(41.)	Rear side panel, P220 (rhs)	625
					94081		Rubber plug for drain holes in 662549/50	32
663946	(9.)	Front panel		4338				
FK-MSA8		Fitting kit for front panel, 1962-1964		175	663712	(42.)	Panel beneath lower tailgate, P220	1760
273137		Fitting kit for front panel, 1965-1970		165	670449		Gas opener for upper tailgate, P220	706
					662285		Striker plate, on lower tailgate, P220	230
660828 (B)	(10.)	Bonnet (second-hand only)		Call	662271		Lock on upper tailgate, P220	451
661257	(11.)	Radiator attachment panel, lhs		Call	669126 (B)	(43.)	Bootlid (rust-free second-hand)	2400
661258	(12.)	Radiator attachment panel, rhs (B20 type)		1120	656656		Bootlid hinge (<u>renew to prevent lid drop</u>)	325 pc.
653025	(13.)	Wheel housing, lhs		NLA	659766		Bootlid spring	Call
653026	(14.)	Wheel housing, rhs		2860				
654067	(15.)	Cross-member, under radiator		405	653015	(44.)	Rear panel, outer (sedan)	1260
653309	(16.)	Cover plate, on front of crossmember		348	657631	(45.)	Spare wheel well, genuine	645
					657528-R	(46.)	Side panel for spare wheel well, repro.	485
661309	(17.)	Battery shelf		NLA	657631-R		Spare wheel well, complete with side panel	925
653687	(18.)	Front outrigger		265				
658858	(19.)	Inner rail, lhs		925	658860		Floor pan, front lhs (pressed as original)	510
658859	(20.)	Inner rail, rhs		Call	658861		Floor pan, front rhs (pressed as original)	510
653018	(21.)	Sill (outer), lhs, 4-dr./P220		798	654207		Front door pillar, lhs (one pc. only)	2750
653018-R		Sill, lhs, non-genuine		525				
653019	(22.)	Sill (outer), rhs, 4-dr./P220		NLA	653798	(47.)	Front door, lhs, 4-dr. & P220	Call
653019-R		Sill, rhs, non-genuine		525	653800/1	(48/49.)	Rear door, lhs/rhs, 4-dr. sedan	2800 pc.
90 20 061	(23.)	Sill (inner), lhs	(all models)	875	678127		Reflective sticker on rear door upright	20 pc.
90 20 062	(24.)	Sill (inner), rhs	(all models)	875				
657048		Sill (outer), lhs, 2-dr.		468	653787		Door hinge (front), door section	166
657049		Sill (outer), rhs, 2-dr.		468	671732		Door hinge (front), body section	173
		(for cheaper non-gen. sill → shorten 4-dr. sill)			671730		Door hinge pin	80
659445	(25.)	Rear wing, lhs, 2-dr.		NLA	950158		Screw for hinge (door section) (16/car)	9 pc.
659446	(26.)	Rear wing, rhs, 2-dr.		NLA	18895		Lock washer for 950158	7 pc.
672073(R)	(27.)	Rear wing front repair (rear sill), lhs		240	955524		Screw for hinge (body section) (16/car)	3 pc.
672074(R)	(28.)	Rear wing front repair (rear sill), rhs		240	955949		Lock washer	2 pc.
90 20 591	(29.)	Wheel arch repair, 2-dr., lhs		365	90 20 12-1/2		Door skin, lower part (2-dr.) (lh/rh)	355 pc.
90 20 592	(30.)	Wheel arch repair, 2-dr., rhs		365	90 20 13-1/2		Door bottom (2-dr.) (lh/rh)	355 pc.
					662645		Metal channel around door, for rubber seals	45/m
653011	(31.)	Rear wing, lhs, 4-dr.		Call	658798/99R	(50.)	Door skin (2-dr.), hand-made as original	3400 pc.
653012	(32.)	Rear wing, rhs, 4-dr.		3400				
653136	(33.)	Wheel arch, front part (4-dr/P220), lhs, gen.		375	676863		Channel for door glass scraper seal	110
653137	(34.)	Wheel arch, front part (4-dr/P220), rhs, gen.		425	90 20 14-1/2		Door skin, lower part (4-dr. front) (lh/rh)	Use 2-dr
653136/37 (R)		Wheel arch, front part, lhs/rhs, repro.		240 pc.	90 20 15-1/2		Ditto, rear door (lh/rh)	280
					90 20 16-1/2		Door bottom (4-dr. front) (lh/rh)	360

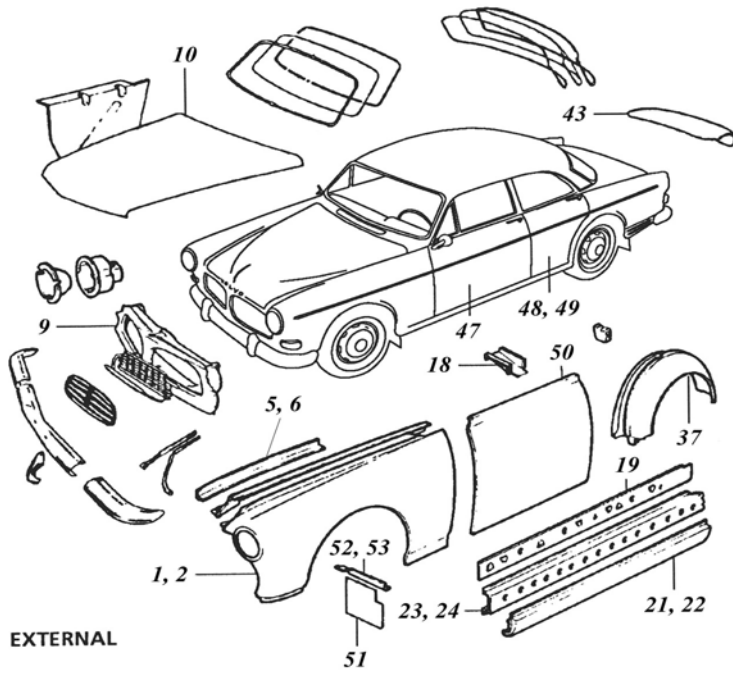
Mudflaps & brackets

657490	(51.)	Mudflap, front (lhs/rhs)		115 pc.	655598	(56.)	Mudflap bracket, lhs rear (P120/P130)	160
655469	(52.)	Mudflap bracket, lhs front		116	655599	(57.)	Mudflap bracket, rhs rear (P120/P130)	160
655470	(53.)	Mudflap bracket, rhs front		116				
FK-010		Fitting kit, for 2 front mudflaps & brackets		30 kit	663546	(58.)	Mudflap bracket, lhs rear (station wagon)	530
					663547	(59.)	Mudflap bracket, rhs rear (station wagon)	Call
670666	(54.)	Mudflap, rear lhs (early longer type)		138	FK-011		Fitting kit, for 2 rear mudflaps & brackets	25 kit
670667	(55.)	Mudflap, rear rhs (early longer type)		138				
670894	(54.)	Mudflap, rear lhs (later shorter type)		138				
670895	(55.)	Mudflap, rear rhs (later shorter type)		138				

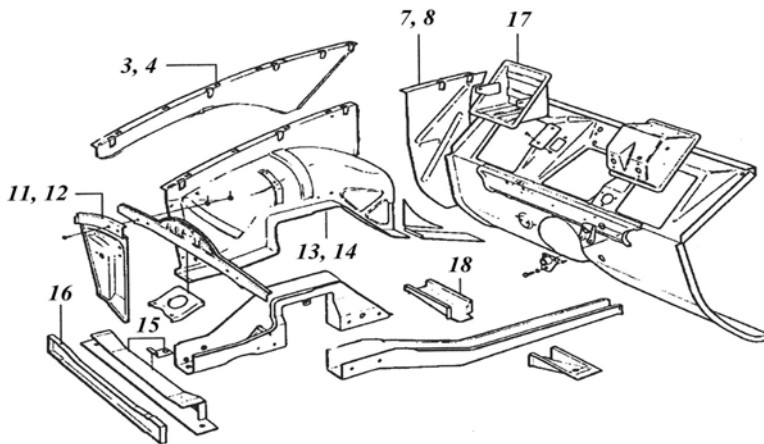
Note: Please include the "R" etc in the part number when ordering!



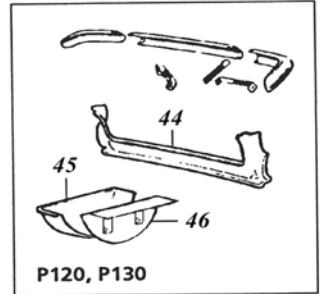
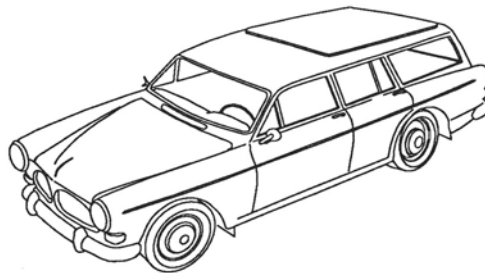
Ref: 020722



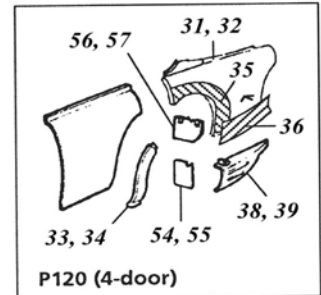
EXTERNAL



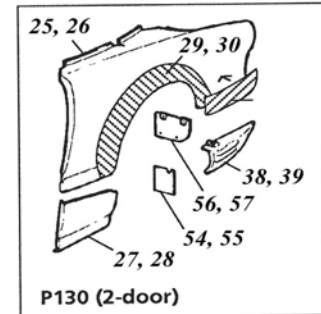
INTERNAL



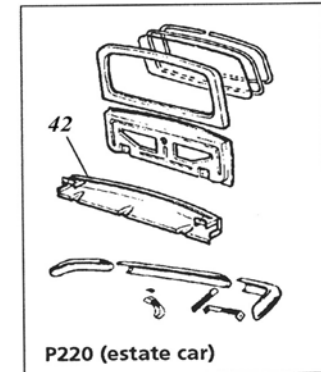
P120, P130



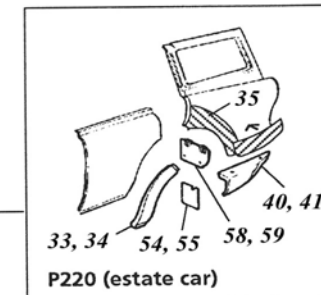
P120 (4-door)



P130 (2-door)



P220 (estate car)



P220 (estate car)

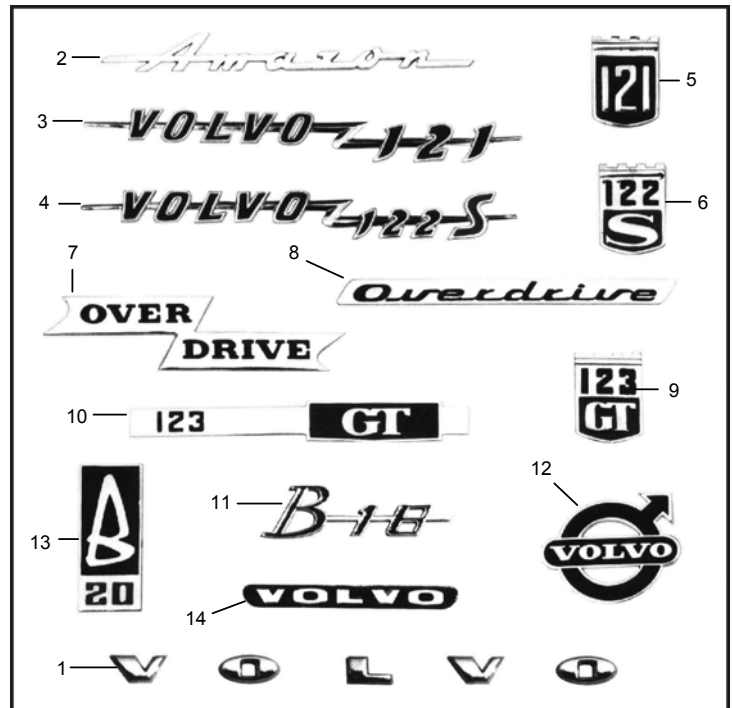
CLASSIC
VOLVO
 IMPORTS

PV444/544 P120 Amazon P1800 Specialists

			<u>Price</u>			<u>Price</u>
666775/76	Rubber insert for front indicators (lh/rh)		105 pc.	672150	Door seal (4-dr. rear), lhs	Use 2-dr. seal
657986	Bonnet rest seal, front, 1957-1965		145	672151	Door seal (4-dr. rear), rhs	Use 2-dr. seal
671629	Bonnet rest seal, front, 1966-1970		125			
663270	Bonnet rest seal, rear, 1957-1965		125	672148 (R)	Door seal (P220 rear), lhs	(repro.) 355
92510	Bonnet rest seal, rear, 1966-1970		125	672149 (R)	Door seal (P220 rear), rhs	(repro.) 355
655545	Rubber button, on bonnet	2/car	14 pc	671687	Bootlid seal (trunk lid)	(genuine) 345
656577	Rubber button, in wing	6/car	11 pc	667812	Bootlid rest button	(2 per bootlid) 12
673318	Front windscreen seal	(R)	325	661987	Rubber seal on rear upright of front wing	75
671764	Rear screen seal		365	669071	Number-plate lamp housing seal	40
14892-1	Screw set, windscreen inner frame (-'67)		30 set			
673457	Front vent window seal, lhs		340	667612-R	Taillamp seal	(1963-1970) 40
673458	Front vent window seal, rhs		340	13319	Seal for reflector housing et. al.	26/m
17455	Rivet (large), outs. of vent window (1/side)		20	672247	P220 seal under top tailgate (on body) (R)	190
120151	Washer, for large rivet		6	672248	P220 seal around t'gate opening (on body) R	465
191644	Rivet, vent window seal to frame (8 per car)		4.50			
654562-B	Wedge seal, in frt of vent window (used)		110	671866	P220 seal on sides of lower tailgate	88/m
				671866	P220 seal on rear of upper tailgate	88/m
661810	Rear vent seal, on 4-dr. rear door (lh & rh)		425 pc.	662687	P220 seal around rear side windows (l/r)	170 pc.
662689	Rear vent seal, on P220 rear door (lh & rh)		265 pc.			
670810	Door glass scraper seal (570 mm)		58 pc	662655	P220 rear screen seal (type without trim)	325
				670988	P220 rear screen seal (type with trim)	325
92509	"B" post seal, 4-dr + P220 (genuine)	4/car	65 pc.	653212	Fuel filler neck seal (sedan)	60
92509-R	"B" post seal, 4-dr + P220 (repro)		52 pc.	656880	P120/P220 seal at either end of waistline trim, outside of door glass (not 90° angled type)	125 car
654114/15 (R)	Door seal, front, lh/rh (B16, B18 -'62)		45/m	13319 (RD)	Seal on inside of vent window	10 pair
654190/91 (R)	Door seal, rear, lh/rh (B16, B18 -'62)		45/m			
672154	Door seal (2-dr.), lhs (current genuine)		245	656988-RUB	Rubber seal for glass in side frames, 2-dr.	82 m
672155	Door seal (2-dr.), rhs (current genuine)		245	659137-B	Seal on body opening, 2 dr. rr side glass, lh	445
	(NB. 2-dr. door seals should also now be used on 4-dr. doors)			659138-B	Seal on body opening, 2 dr. rr side glass, rh	445
672156	Door seal, front lhs (4-dr./P220)	Use 2-dr. seal		672111/12 (R)	P130 seal round non-openable side glass (these need to be bonded)	375
672157	Door seal, front rhs (4-dr./P220)	Use 2-dr. seal				

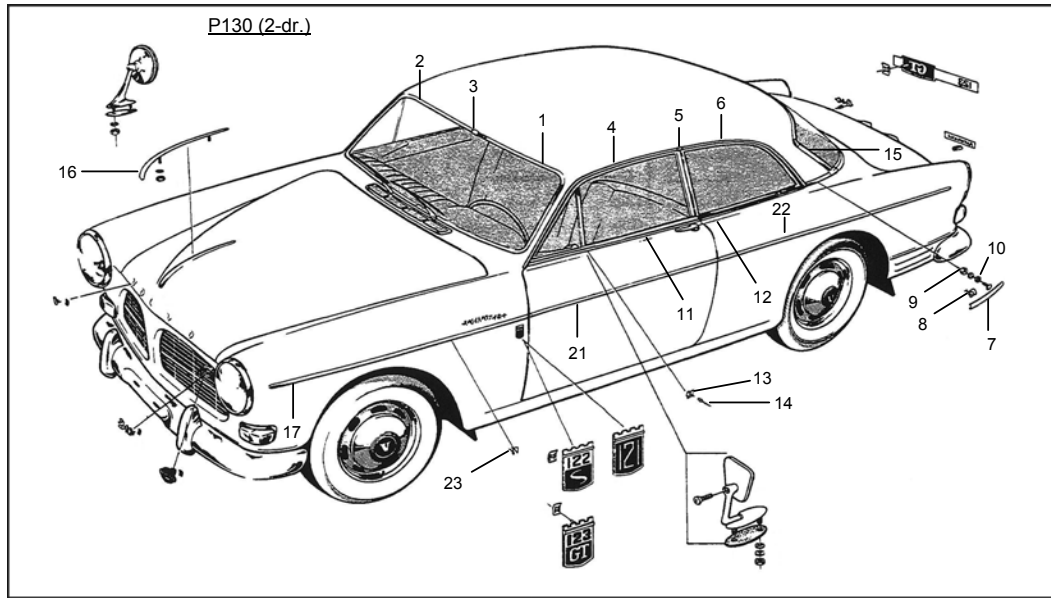
BADGES & EMBLEMS, AMAZON

276377-R	(1.) Volvo letters on bonnet, gold (-1966)		255
276375-R	(1.) Volvo letters on bonnet, silver (1967-1970)		255
276377	(1.) Letter set, gold, genuine (with clips)		410
276375	(1.) Letter set, silver, genuine (with clips)		410
82660	Clips for letters		3 pc
661052	(2.) "Amazon" emblem		NLA
661054-R	(3.) "Volvo 121" emblem, to 1964, repro.		285
661055	(4.) "Volvo 122S" emblem, to 1964, genuine		450
661055-R	(4.) "Volvo 122S" emblem, to 1964, repro.		285
670678	(5.) "121" on wing, '65-'70 (aluminium as orig.)		210
670677	(6.) "122S" on wing, '65-'70 (aluminium)		210
663558-R	(7.) "Overdrive", on bootlid (to 1964)		250
670566-R	(8.) "Overdrive", from 1965		220
672490	(9.) "123 GT" on wing (aluminium)		210
672493-R	(10.) "123 GT", on bootlid		250
664621	Clips for emblems 5-10		NLA
667184	(11.) "B18" badge, large, genuine (1961-1964)		425
667184-R	(11.) "B18" badge, large, on grille (1961-1964)		280
192586	Clips for large B18 badge		NLA
666444-R	(11.) "B18" badge, small, repro. (1961-1964)		230
192086	Clips for small B18 badge		NLA
670900	(12.) "Volvo" badge on grille (gen.) (1965-1968)		NLA
672328	Clips for Volvo grille badge		15 pc.
670419-R	"Automatic" emblem		210
664621	Clips for automatic emblem		NLA



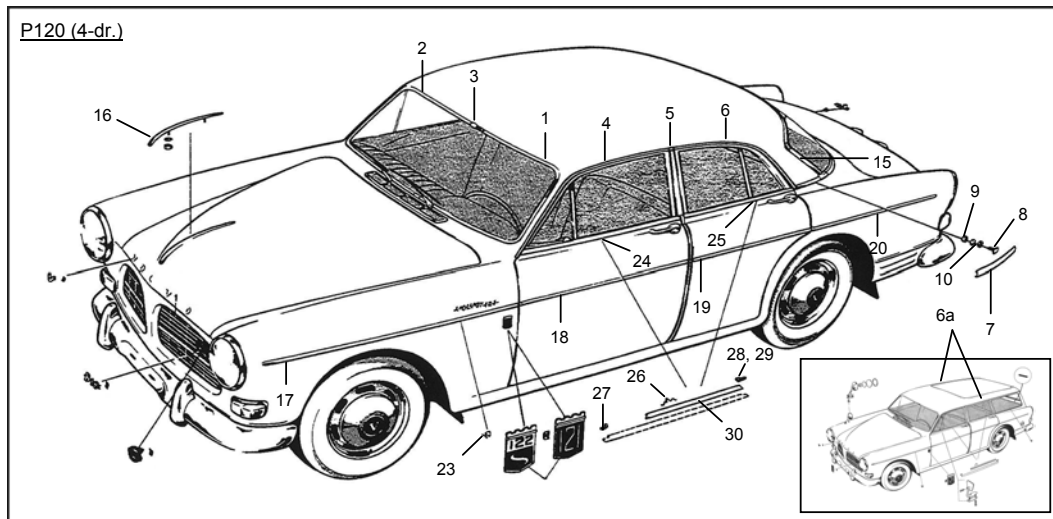
673702-R	(13.) "B20" grille badge		230
192586	Clips for B20 grille badge		NLA
663060	(14.) "Volvo", on bootlid handle (genuine)		450
663060-R	(14.) "Volvo", on bootlid handle (repro.)		210

Note: Please include the "R" etc in the part number when ordering!

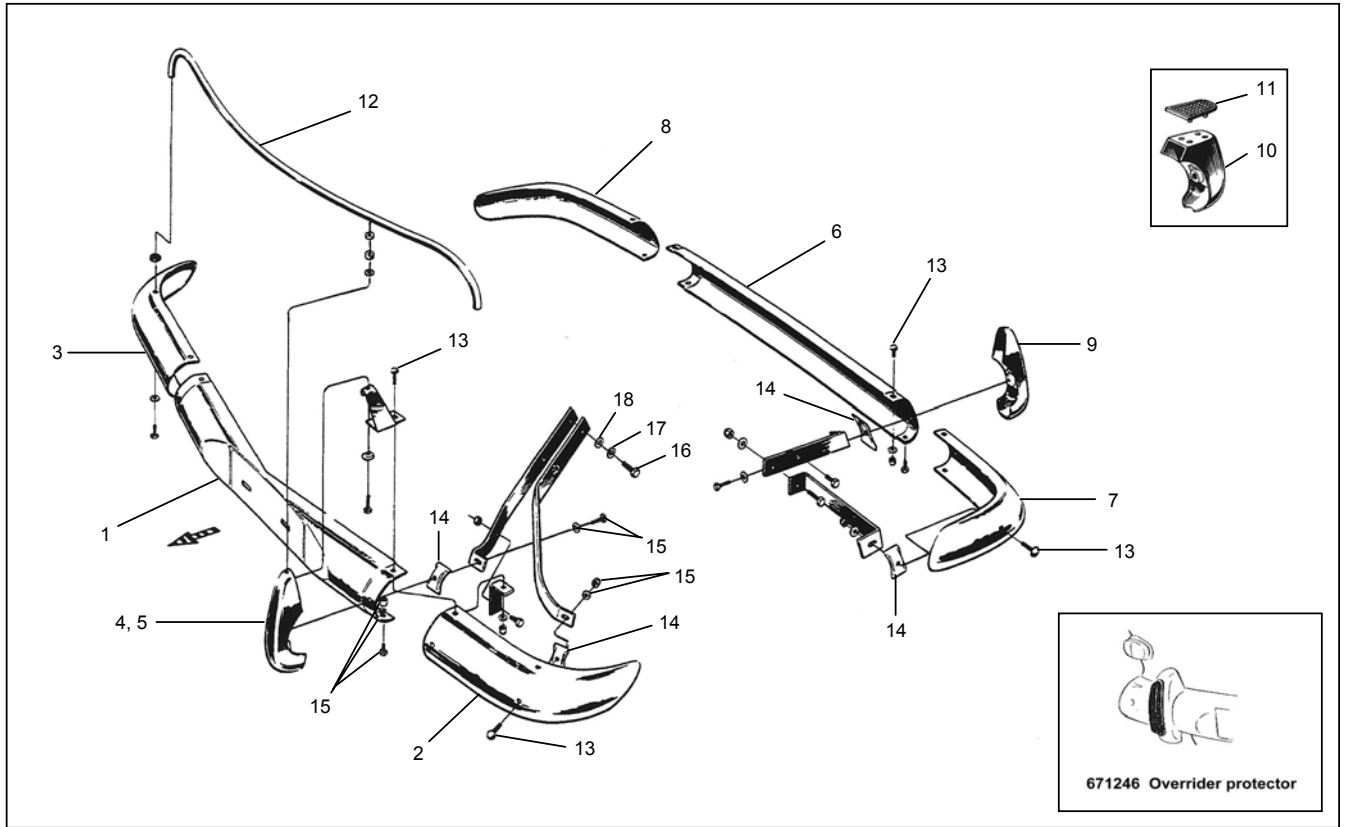


654384	(1.) Windscreen trim, lhs		610	654388	(15.) Trim on rear screen, lhs ("hockey stick")	Unavailable
654385	(2.) Windscreen trim, rhs		610	654389	"Hockey stick", rhs	165
654386	(3.) Junction piece (2 per screen)		66 pc.	661050	(16.) Bonnet trim (pressed polished stainless)	585
659994	(4.) Gutter trim, lhs front		205	661050 (R2)	(16.) Bonnet trim (chromed cast)	510
659995	Gutter trim, rhs front		205	657263	(17.) Front wing trim	275
657298	(5.) Junction piece		70 pc.	657265	(18.) P120/P220 front door trim	275
654297	(6.) Gutter trim, lhs rear, P120/P130		310	657266	(19.) P120/P220 rear door trim	275
654298	Gutter trim, rhs rear, P120/P130		310	657264	(20.) P120 rear wing trim	298
662657	(6a.) Gutter trim, rear long piece P220		450 per side	662656	P220 rear wing trim	195
654391	(7.) Trim between rear screen & side glass/door		Call	659205	(21.) P130 door trim (2-dr)	275
654585	(8.) Fastener screw (2 per side)		32 pc	660090	(22.) P130 rear wing trim, lhs	385
941478	(9.) Nut		3	660091	P130 rear wing trim, rhs	385
955946	(10.) Lock washer		2	658850	(23.) Clips for side trim	(R) 4
659287	(11.) Waist line trim, lhs front (P130, '67-)		369	658850-1	(23.) Set of 50 clips	180
659288	Waist line trim, rhs front (P130, '67-)		369	658192	(24.) Waistline trim, front lhs (P120/P220)	NLA
659290	(12.) Waist line trim, lhs rear (P130, '67-)		369	658193	Waistline trim, front rhs (P120/P220)	420
659291	Waist line trim, rhs rear (P130, '67-)		369	658144	(25.) Waistline trim, rear lhs (P120/P220)	NLA
192458	(13.) Clips, early (riveted), to '66 (26/car)		7 pc.	658145	Waistline trim, rear rhs (P120/P220)	420
659654	(14.) Rivet (genuine all-aluminium) (26/car)		2 pc.	659996	(26.) Clips for waistline trim (P120/P220)	20
679885	Clips, later (plastic) 1967- (26/car)		4 pc.	656880	(27.) Seal, front and rear, on waistline trim	125 car
				654526/27 (28/29.)	Seal (90 deg. angle), front door lh/rh (rear)	Call
				670810	(30.) Door glass scraper seal	58 pc.

Note: waistline trim on 2 dr. cars was flat until 1966. From 1967 it was made rounder. Think about this if ordering just one or two pieces as later style is all that is available. Order correct clips as well!



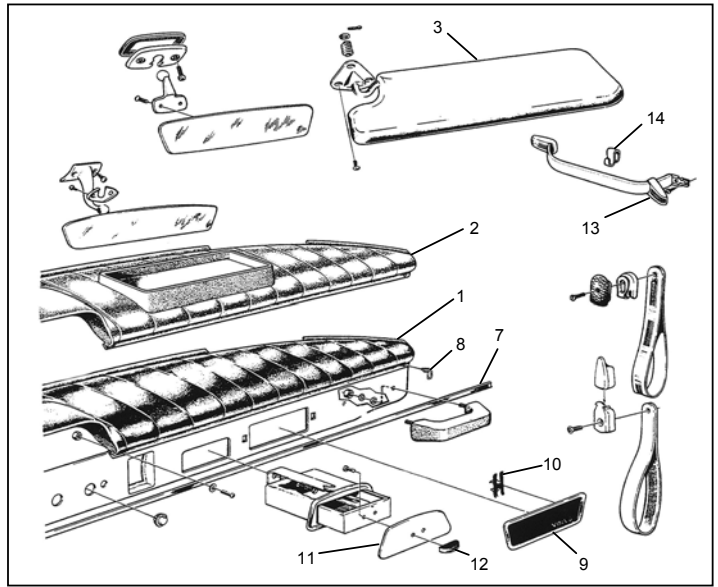
		<u>Price</u>			<u>Price</u>
653294	(1.) Bumper center, front	1785	190373	(13.) Chromed bumper bolt (incl. in kit 276422)	30 pc.
673690	(2.) Bumper corner, lhs front	1190	653572	(14.) Protective washer (incl. in kit 276422)	20 pc.
673691	(3.) Bumper corner, rhs front	1190	276422	(15.) Bumper fitting kit (4/car)	110 pc.
653606	(4.) Override (genuine), lhs front	675			
653607	(5.) Override (genuine), rhs front	675	276422 (RX)	Fitting kit (<u>without</u> protective washer)	58 pc.
653305	(6.) Bumper center, rear	1780			
673694	(7.) Bumper corner, lhs rear	1225	653627	Bumper iron, front rhs (outer)	110
673695	(8.) Bumper corner, rhs rear	1225	653623	Bumper iron, rear rhs (outer)	110
657053	(9.) Override (genuine), rear (sedan, 2/car)	675 pc.			
666265	(10.) Override, rear (P220) (2 per car)	695 pc.	955561	(16.) Bolt, front bumper iron to chassis	10
666262(R)	(11.) Rubber cover, on P220 override	50 pc.	940280	(17.) Curved lock washer	4
			955897	(18.) Plain washer	2
659961	(12.) Yankee bar (polished stainless steel)	NLA	671246	Rubber override protector	145 pc.



Grilles: Hubcaps

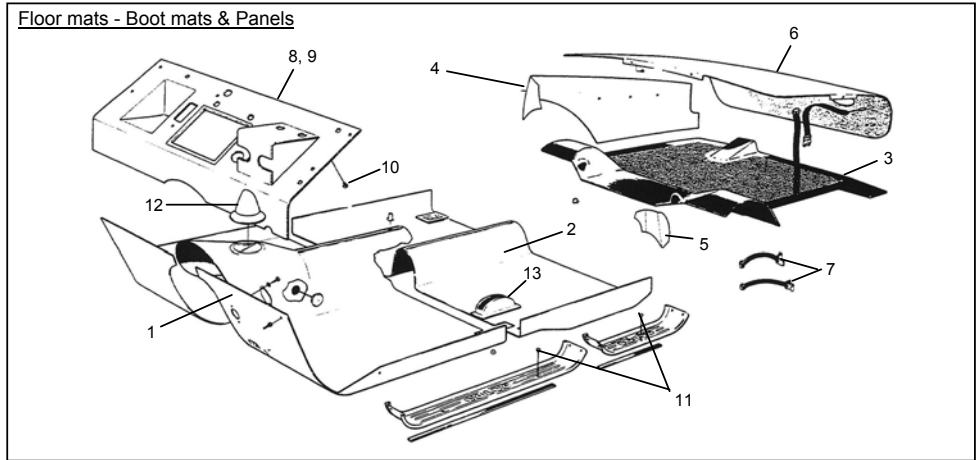
		<u>Price</u>			<u>Price</u>	
663916	Grille, lhs, 1961-'64	}	654108	Hub cap (red "V"), 1957-'64 (stainless)	590 pc.	
663917	Grille, rhs, 1961-'64			(NB. These come without the red decals which must be ordered separately)		
663914	Outer trim for grille, lhs		Call	654108 (D)	Red decal for center of hubcap	30 pc.
663915	Outer trim for grille, rhs					
663954	Trim bar in middle of grille					
190213	Clips for grille assembly	15 pc.				
950044	Screw for trim fitting	5 pc.	670437 (R2)	Hub cap (black "V") (NB. chromed steel)	395 pc.	
670692	Grille, lhs (1965-1966)	NLA	(Note: we <u>cannot</u> give anti-corrosion warranty on the chromed type)			
670693	Grille, rhs (1965-1966)	NLA				
190388	Screw for grille	2 pc.				
192557	Speed nut (R)	3 pc.				
672278	Grille, lhs (1967-1970)	COULD BE MADE! APPROX. SEK 1600 - PLEASE REGISTER INTEREST!				
672279	Grille, rhs (1967-1970)	COULD BE MADE! APPROX. SEK 1600 - PLEASE REGISTER INTEREST!				
190388	Screw for grille	2 pc.				
192557	Speed nut (R)	3 pc.				

666001	(1.)	Dash padding, LHD (not GT)	2200
672577	(2.)	Dash padding, LHD (for 123 GT)	2300
666002	(1.)	Dash padding, RHD (not GT)	NLA
672578	(2.)	Dash padding, RHD (for 123 GT)	4400
658053	(B) (3.)	Sunvisor (lh/rh), <u>used only</u> , up to 1967	160
654299	(7.)	Trim moulding on dashboard	Coming 2004
663973	(R) (8.)	Clips for 654299	12 pc.
673220	(B) (9.)	Radio cover plate (good second-hand)	250
656321	(10.)	Clips for radio cover	48 pc.
660561	(B)(11.)	Cover plate, on ashtray (second-hand)	50
677160-X	(13.)	Plastic covers for grab handle, from 1967	110 pair
677156	(14.)	Clothes hanger	40 pc.



Grab handles: These are possible to have remade, but the factory wants v. high min. qty., so please **tell us** if interested (You can register interest on our website - Parts Re-manufacturing page)

FLOOR MATS - LUGGAGE COMPARTMENT MATS & PANELS



Floor mats, in grey rubber:

662404	(R) (1.)	Floor mat, front, grey 1962 - 1964	Price
662405	(R) (2.)	Floor mat, rear, grey 1962 - 1964	2450
			1850

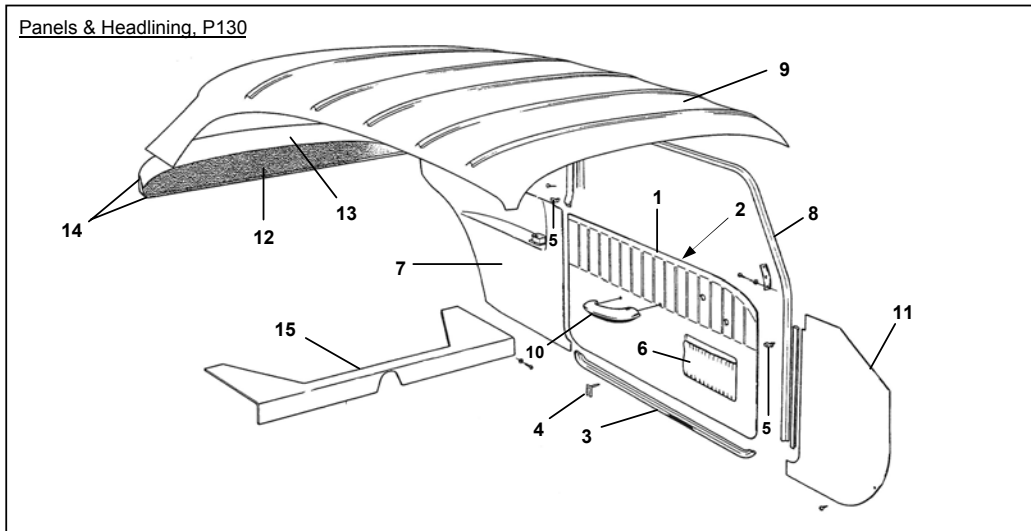
(NB. These mats can also fit B16 cars, but the sides of the (smaller) propshaft tunnel must be filled out under the mat)

Floor mats, in black rubber:

670698	(1.)	Floor mat, front, black (genuine, with felt)	2350
670699	(2.)	Floor mat, rear, black	1780
660677	(3.)	Luggage compartment mat (all were black)	1670
277215/16		4 pc. accessory rubber floor mat set (grey or black - please state)	855 set
FMS AZ (GR)		Floor mat set, in grey textile (6 pieces)	875 set
FMS AZ (BL)		Floor mat set, in blue textile (6 pieces)	875 set

Bulkhead mat: Panels on sides of luggage compartment and bootlid

662093/659497	Grey panels (1957-'64)	(4. & 5.)	220 pair	691581	(8.)	Bulkhead mat, LHD	}	Call
				691582	(9.)	Bulkhead mat, RHD		
671067/68	Black panels (1965-70)	(4. & 5.)	220 pair	671261	(10.)	Rubber button, for fitting mat (7/car)		10 pc.
660442	(6.)	Panel on inside of bootlid (grey)	310	14939-R	(11.)	Screw, for sill plates & inner top door panel		8
671066	(6.)	Panel on inside of bootlid (black)	310					
659315/16	Rubber straps for jack	(7.)	55 pair	670875, etc	(12.)	Gear lever gaiter		See page 22
				659491/670876	(13.)	Handbrake lever gaiter		See page 30



Door Panels (incl. pocket & lower seal moulding unless stated)

Upholstery Code stamped on chassis plate in engine bay

lh/rh						<u>Price</u>
690566/67	(1.) Door panel	(Beige 1962-63)		401-189 or 404-192		1600 pair
690883/84	(1.) Door panel	(Red 1962-1963)		407-234 or 409-236		1600 pair
690576/77	(1.) Door panel	(Blue 1962-1963: slightly darker than original)		403-191 or 405-193		1600 pair
690878/79	(1.) Door panel	(Grey 1962-1963)		406-233 or 408-235		1600 pair
691278/79	(1.) Door panel	(Golden brown 1964 - only a few left)		412-262 or 415-263		1600 pair
691274/75	(1.) Door panel	(Red 1964)		411-245 or 414-247		1600 pair
691270/71	(1.) Door panel	(Grey 1964)		410-244 or 413-246		1600 pair
691512/13	(1.) Door panel	(Light blue 1965)		419-517		1600 pair
691506/07	(1.) Door panel	(Red 1965)		416-514	wide trim strip	1600 pair
691823/24	(1.) Door panel	(Red 1966)		420-532	narrow trim strip	1600 pair
692002/03	(1.) Door panel	(Black 1965-1968)		417-515		1600 pair
692163/64	(1.) Door panel	(Dark green 1967)		426-553		1600 pair
692161/62	(1.) Door panel	(Tan 1967-1968)		425-552		1600 pair
692159/60	(1.) Door panel	(Wine red 1967-1968)		424-551		1600 pair
692207/08	(1.) Door panel	(Wine red 1967-1968)		429-585	"Favorit" model - no pocket	1600 pair
692910/11	(1.) Door panel	(Red 1969)	B20 (no pocket)	432-597		1600 pair
692908/09	(1.) Door panel	(Blue 1969)	B20 (no pocket)	431-596	Use for '68 also	1600 pair
692906/07	(1.) Door panel	(Beige 1969)	B20 (no pocket)	430-595		1600 pair
695098/99	(1.) Door panel	(Red 1970)	B20 (no pocket)	434-636		1600 pair
695100/01	(1.) Door panel	(Blue 1970)	B20 (no pocket)	435-637		1600 pair

692003M	(2.) 2-dr. plywood panel base	175 pc.	95290	(5.)	Clips for door panels and rear side panels	10 pc.
667514/15	(3.) Lower seal (included on full door panel) (NB. 1965-1970 use 667514 for lh and rh)	175 pc.		(6.)	Door pockets available separately - call	295 pc.
320448	(4.) Clip, lower seal (8 per side)	10 pc.		(7.)	Vinyl cover for recovering rear side panel (NB. Please state interior code)	580 pair

Headlining - Kick Panels - Rear Parcel Shelf Mat - Draft excluders

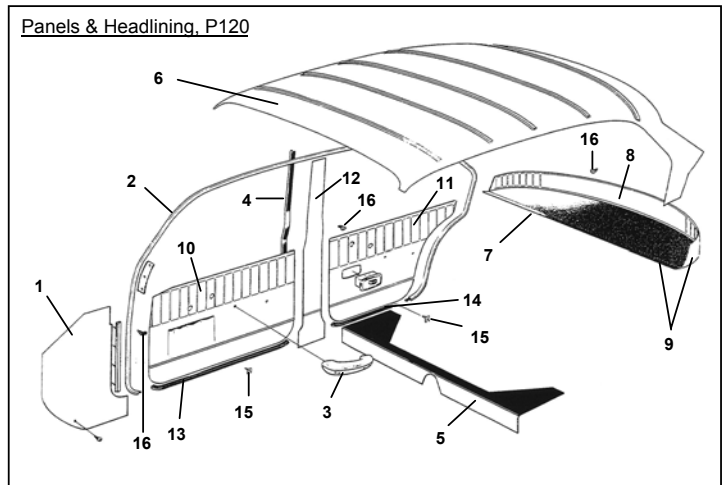
		<u>Price</u>			<u>Price</u>
690587(2R)	(8.) Draft excluder, around door opening (Now with plastic strip - cut to size)	285 pc.	671064/63 LHD	Kick panel (black for LHD cars), '65-'70 (11)	250 pair
			671064/63 RHD	Kick panel (black for RHD cars), '65-'70 (11)	250 pair
98747	(9.) Perforated vinyl headlining for sedan	1140			
668969-B	(10.) Arm rest (from 1965), second-hand	NLA	691616	(12.) Mat on parcel shelf, 1965-'68 (R)	360
14939-R	Chromed screw on upper (metal) door panel	8	691615	(13.) White vinyl upright, 1965-'68	475
			667878	(14.) Parcel shelf (1960-'64, '69-'70)	Call
659508/07 LHD	Kick panel (grey for LHD cars), to 1964 (11.)	250 pair			
659508/07 RHD	Kick panel (grey for RHD cars), to 1964 (11.)	250 pair	670861 (B)	(15.) Rubber mat (black, 2nd-hand)	550

659508/07 LHD Kick panel (grey for LHD cars), to 1964 (1.)	250 pair	691616	(7.)	Mat on parcel shelf, 1965-'68	(R)	360
659508/07 RHD Kick panel (grey for RHD cars), to 1964 (1.)	250 pair	691615	(8.)	White vinyl upright, 1965-'68		475
671064/63 LHD Kick panel (black for LHD cars), '65-'70 (1.)	250 pair	667878	(9.)	Parcel shelf (1960-'64)		Call
671064/63 RHD Kick panel (black for RHD cars), '65-'70 (1.)	250 pair					

690587(4R) (2.) Draft excluder, around door opening, 4-dr (Now with plastic strip)	345 pc.					
668969-B (3.) Arm rest (from 1965), second-hand	NLA					
14939-R Chromed screw on upper (metal) door panel	8					
92509 (654269) "B" post seal, <u>genuine</u> (4.) (4 per car)	65 pc.					
92509 (654269) R "B" post seal (4.) (4 per car)	52 pc.					
670861 (B) (5.) Rubber mat (black, 2nd-hand)	550					

Headlinings

98391-1 (6.) Flannel cloth lining, early B16 (glued at back)	1380					
98391 (6.) Flannel cloth lining, early B16 (not glued)	1380					
98569 (6.) Cloth headlining, late B16/early B18 sedan	1580					
98747 (6.) Perforated vinyl headlining for sedan	1140					

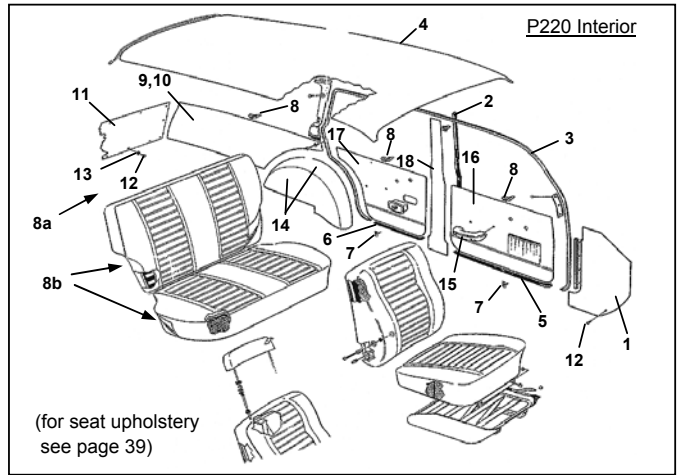


Door Panels (incl. front pocket & lower seal moulding)

Upholstery Code stamped on chassis plate in engine bay

						<u>Price</u>
690414/15 (10.) Door panel, front	(Beige 1962-63)			135-200 or 138-203 or 140-205		1600 pair
690416/17 (11.) Door panel, rear	(Beige 1962-63)			135-200 or 138-203 or 140-205		1400 pair
690606/07 (12.) B-post	(Beige 1962-63)			135-200 or 138-203 or 140-205		430 pc.
690840/41 (10.) Door panel, front	(Red 1962-63)			148-225 or 150-227 or 152-229		1600 pair
690842/43 (11.) Door panel, rear	(Red 1962-63)			148-225 or 150-227 or 152-229		1400 pair
690844/45 (12.) B-post	(Red 1962-63)			148-225 or 150-227 or 152-229		430 pc.
690438/39 (10.) Door panel, front	(Blue 1962-1963: slightly darker than original)			137-202 or 139-204		1600 pair
690440/41 (11.) Door panel, rear	(Blue 1962-1963: slightly darker than original)			137-202 or 139-204		1400 pair
690610/11 (12.) B-post	(Blue 1962-1963: slightly darker than original)			137-202 or 139-204		430 pc.
690828/29 (10.) Door panel, front	(Grey 1962-1963)			147-224 or 149-226 or 151-228		1600 pair
690830/31 (11.) Door panel, rear	(Grey 1962-1963)			147-224 or 149-226 or 151-228		1400 pair
690832/33 (12.) B-post	(Grey 1962-1963)			147-224 or 149-226 or 151-228		430 pc.
691218/19 (10.) Door panel, front	(Red 1964)			156-249 or 159-251 or 162-253		1600 pair
691220/21 (11.) Door panel, rear	(Red 1964)			156-249 or 159-251 or 162-253		1400 pair
691228/29 (12.) B-post	(Red 1964)			156-249 or 159-251 or 162-253		430 pc.
691214/15 (10.) Door panel, front	(Grey 1964)			155-248 or 158-250 or 161-252		1600 pair
691216/17 (11.) Door panel, rear	(Grey 1964)			155-248 or 158-250 or 161-252		1400 pair
691226/27 (12.) B-post	(Grey 1964)			155-248 or 158-250 or 161-252		430 pc.
691496/97 (10.) Door panel, front	(Light blue 1965)			170-505		1600 pair
691504/05 (11.) Door panel, rear	(Light blue 1965)			170-505		1400 pair
691520/21 (12.) B-post	(Light blue 1965)			170-505		430 pc.
691490/91 (10.) Door panel, front	(Red 1965)			167-502 or 171-506		1600 pair
691498/99 (11.) Door panel, rear	(Red 1965)			167-502 or 171-506		1400 pair
691520/21 (12.) B-post	(Red 1965)			167-502 or 171-506		430 pc.
691805/06 (10.) Door panel, front	(Red 1966)			175-523 or 179-527		1600 pair
691811/12 (11.) Door panel, rear	(Red 1966)			175-523 or 179-527		1400 pair
691799/00 (12.) B-post	(Red 1966)			175-523 or 179-527		430 pc.
691998/99 (10.) Door panel, front	(Black 1965-67)			168-503 or 172-507		1600 pair
692000/01 (11.) Door panel, rear	(Black 1965-67)			168-503 or 172-507		1400 pair
691516/17 (12.) B-post	(Black 1965-67)			168-503 or 172-507		430 pc.
692143/44 (10.) Door panel, front	(Tan 1967)			184-546 or 187-549		1600 pair
692149/50 (11.) Door panel, rear	(Tan 1967)			184-546 or 187-549		1400 pair
692137/38 (12.) B-post	(Tan 1967)			184-546 or 187-549		430 pc.
692145/46 (10.) Door panel, front	(Dark green 1967)			185-547		1600 pair
692151/52 (11.) Door panel, rear	(Dark green 1967)			185-547		1400 pair
692139/40 (12.) B-post	(Dark green 1967)			185-547		430 pc.
692141/42 (10.) Door panel, front	(Wine red 1967)			183-545		1600 pair
692147/48 (11.) Door panel, rear	(Wine red 1967)			183-545		430 pc.
692135/36 (12.) B-post	(Wine red 1967)			183-545		430 pc.
692001M Door panel base (plywood)		(4-dr. front)				175 pc.
692002M Door panel base (plywood)		(4-dr. rear)				175 pc.
667690 (13.) Lower seal moulding		(4-dr. front)				155 pc.
667961 (14.) Lower seal moulding		(4-dr. rear)				145 pc.
320448 (15.) Clip, lower seal moulding						10 pc.
95290 (16.) Clips for door panels, "B" post panel and parcel shelf upright panel						10 pc.

659508/07 LHD Kick panel (grey for LHD cars), to 1964	(1.)	250 pair
659508/07 RHD Kick panel (grey for RHD cars), to 1964	(1.)	250 pair
671064/63 LHD Kick panel (black for LHD cars), '65-'69	(1.)	250 pair
671064/63 RHD Kick panel (black for RHD cars), '65-'69	(1.)	250 pair
92509 (654269) "B" post seal (<u>genuine</u>)	(2.) (4 per car)	65 pc.
92509 (654269) R "B" post seal	(2.) (4 per car)	52 pc.
690587(4R) (3.) Draft excluder, around door opening, 4-dr (Now with plastic strip)		345 pc.
690639 (4.) Perforated vinyl headlining for P220		1240
667690 (5.) Lower seal moulding (front)		155 pc.
667961 (6.) Lower seal moulding (rear)		145 pc.
320448 (7.) Clip, lower seal		10 pc.
95290 (8.) Clips, door & side panels & "B" post panel		10 pc.
691609 (8a.) Luggage compartment mat		650
691651-1 (8b.) Mats on back of rear upright & bottom		765 pair
691589/90 Rear side panel (9/10.) (lh/rh)		410 pc.
691597 (11.) Panel (not plate) on lower tailgate, 1965-'69		270
660792 Metal plate under panel can be remade		Please Call
955138 (12.) Screw for panel		1 pc.
940090 (13.) Washer		2 pc.



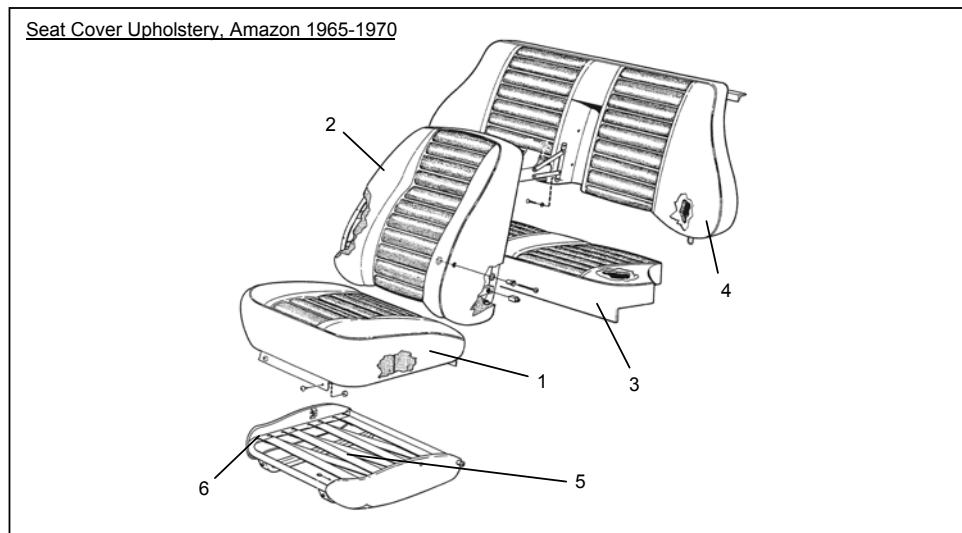
691601 etc. (14.) Wheel arch upholstery - please specify if you want mat only or vinyl with matting.	Call with code
668969-B (15.) Arm rest (from 1965), second-hand	NLA
14939-R Chromed screw on upper (metal) door panel	8

Door Panels (incl. frt. pocket & lower seal moulding unless stated)

Upholstery Code stamped on chassis plate in engine bay

				<u>Price</u>
690414/15 (16.) Door panel, front (lh/rh)	(Beige 1962-1963)	501-230 or 504-215		1600 pair
690416/17 (17.) Door panel, rear (lh/rh)	(Beige 1962-1963)	501-230 or 504-215		1400 pair
690606/07 (18.) B-post panel (lh/rh)	(Beige 1962-1963)	501-230 or 504-215		430 pc.
690840/41 (16.) Door panel, front (lh/rh)	(Red 1962-1963)	503-232		1600 pair
690842/43 (17.) Door panel, rear (lh/rh)	(Red 1962-1963)	503-232		1400 pair
690844/45 (18.) B-post panel (lh/rh)	(Red 1962-1963)	503-232		430 pc.
690828/29 (16.) Door panel, front (lh/rh)	(Grey 1962-1963)	502-231		1600 pair
690830/31 (17.) Door panel, rear (lh/rh)	(Grey 1962-1963)	502-231		1400 pair
690832/33 (18.) B-post panel (lh/rh)	(Grey 1962-1963)	502-231		430 pc.
691218/19 (16.) Door panel, front (lh/rh)	(Red 1964)	508-255		1600 pair
691220/21 (17.) Door panel, rear (lh/rh)	(Red 1964)	508-255		1400 pair
691228/29 (18.) B-post panel (lh/rh)	(Red 1964)	508-255		430 pc.
691214/15 (16.) Door panel, front (lh/rh)	(Grey 1964)	507-254		1600 pair
691216/17 (17.) Door panel, rear (lh/rh)	(Grey 1964)	507-254		1400 pair
691226/27 (18.) B-post panel (lh/rh)	(Grey 1964)	507-254		430 pc.
691496/97 (16.) Door panel, front (lh/rh)	(Light blue 1965)	513-521		1600 pair
691504/05 (17.) Door panel, rear (lh/rh)	(Light blue 1965)	513-521		1400 pair
691520/21 (18.) B-post panel (lh/rh)	(Light blue 1965)	513-521		430 pc.
691490/91 (16.) Door panel, front (lh/rh)	(Red 1965)	510-518		1600 pair
691498/99 (17.) Door panel, rear (lh/rh)	(Red 1965)	510-518		1400 pair
691514/15 (18.) B-post panel (lh/rh)	(Red 1965)	510-518		430 pc.
691805/06 (16.) Door panel, front (lh/rh)	(Red 1966)	514-536		1600 pair
691811/12 (17.) Door panel, rear (lh/rh)	(Red 1966)	514-536		1400 pair
691799/00 (18.) B-post panel (lh/rh)	(Red 1966)	514-536		430 pc.
691998/99 (16.) Door panel, front (lh/rh)	(Black 1965-68)	511-519		1600 pair
692000/01 (17.) Door panel, rear (lh/rh)	(Black 1965-68)	511-519		1400 pair
691516/17 (18.) B-post panel (lh/rh)	(Black 1965-68)	511-519		430 pc.
692143/44 (16.) Door panel, front (lh/rh)	(Tan 1967-68)	519-555		1600 pair
692149/50 (17.) Door panel, rear (lh/rh)	(Tan 1967-68)	519-555		1400 pair
692137/38 (18.) B-post panel (lh/rh)	(Tan 1967-68)	519-555		430 pc.
692145/46 (16.) Door panel, front (lh/rh)	(Dark green 1967)	520-556		1600 pair
692151/52 (17.) Door panel, rear (lh/rh)	(Dark green 1967)	520-556		1400 pair
692139/40 (18.) B-post panel (lh/rh)	(Dark green 1967)	520-556		430 pc.
692141/42 (16.) Door panel, front (lh/rh)	(Wine red 1967-68)	518-554		1600 pair
692147/48 (17.) Door panel, rear (lh/rh)	(Wine red 1967-68)	518-554		1400 pair
692135/36 (18.) B-post panel (lh/rh)	(Wine red 1967-68)	518-554		430 pc.
692916/17 (16.) Door panel, front (lh/rh)	(Red 1969) (no pocket)	524-600		1600 pair
692922/23 (17.) Door panel, rear (lh/rh)	(Red 1969)	524-600		1400 pair
692940/41 (18.) B-post panel (lh/rh)	(Red 1969)	524-600		430 pc.
692912/13 (16.) Door panel, front (lh/rh)	(Beige 1969) (no pocket)	522-598		1600 pair
692922/23 (17.) Door panel, rear (lh/rh)	(Beige 1969)	522-598		1400 pair
692940/41 (18.) B-post panel (lh/rh)	(Beige 1969)	522-598		430 pc.
692914/15 (16.) Door panel, front (lh/rh)	(Blue 1969) (no pocket)	523-599		1400 pair
692920/21 (17.) Door panel, rear (lh/rh)	(Blue 1969)	523-599		1400 pair
692938/39 (18.) B-post panel (lh/rh)	(Blue 1969)	523-599		430 pc.
692001M Door panel base (plywood, front lh/rh)	175 pc.	692002M Door panel base (plywood, rear lh/rh)		175 pc.

Most upholstery covers have now been remanufactured for Amazon B18 & B20 models '65-'70, or will be coming shortly. These are made in Sweden to original equipment standards and quality.



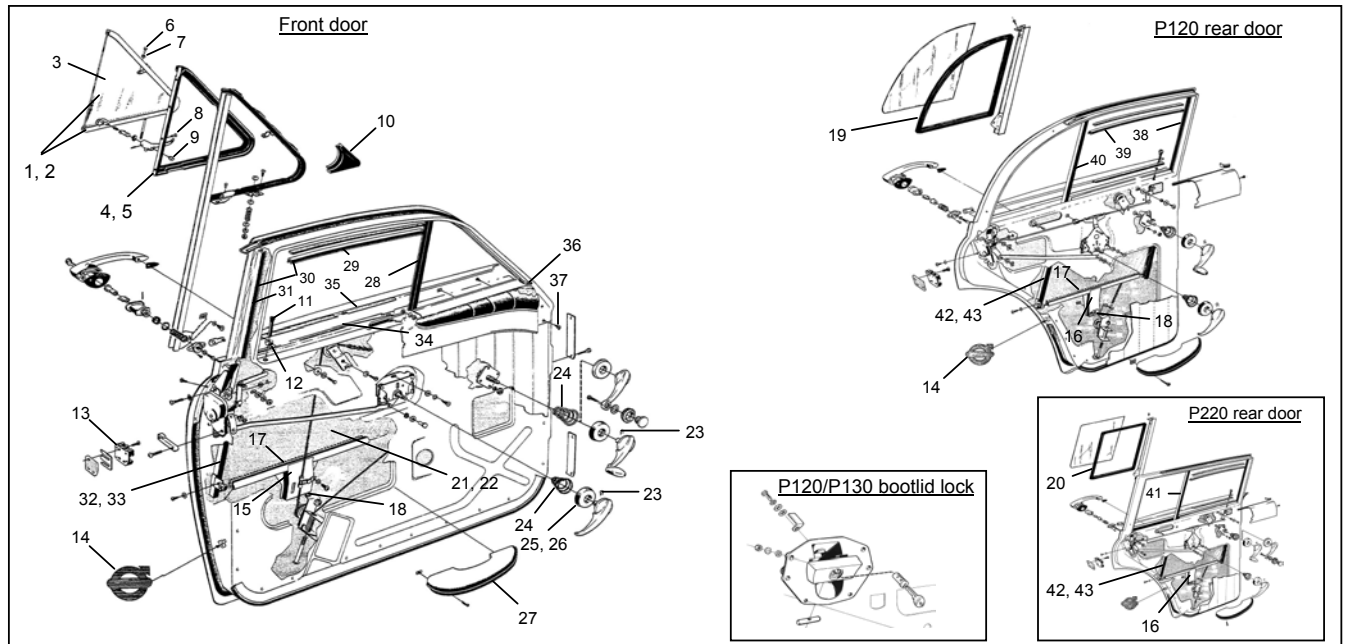
<u>Front Seat (bottom & upright) Covers</u>	<u>Colour</u>	<u>Upholstery Code stamped on chassis plate in engine bay</u>	<u>Price</u>
691438/41(1/2) Front seat cover/upright cover	Black 1965-1968	417 (P130), 168 (P120), 511 (P220)	1140 pc.
691434/37(1/2) Front seat cover/upright cover	Red 1965-1966	416/420 (P130), 167/175/ (P120), 510/514 (P220)	1140 pc.
692092/93(1/2) Front seat cover/upright cover	Tan (brown) 1967-1968	425 (P130), 184 (P120), 519 (P220)	1140 pc.
692094/95(1/2) Front seat cover/upright cover	Dark green 1967-1968	426 (P130), 185 (P120), 520 (P220)	1140 pc.
692090/91(1/2) Front seat cover/upright cover	Wine red 1967-68	424 (P130), 183 (P120), 518 (P220)	1140 pc.
692887/88(1/2) Front seat cover/upright cover	Blue 1969	431-596 (P130) or 523-599 (P220)	1140 pc.
692889/90(1/2) Front seat cover/upright cover	Red 1969	432-597 (P130) or 524-600 (P220)	1140 pc.
692885/86(1/2) Front seat cover/upright cover	Beige 1969	430-595 (P130) or 522-598 (P220)	1140 pc.
695085/89(1/2) Front seat cover/upright cover	Blue 1970	435-637 (P130 only)	1140 pc.
695084/88(1/2) Front seat cover/upright cover	Red 1970	434-636 (P130 only)	1140 pc.
<u>Rear Seat (bottom & upright) Covers</u>			
691472/73(3/4) Rear seat cover/upright cover, P130 (2-dr.)	Black 1965-1968	417-515	1265 pc.
691470/71(3/4) Rear seat cover/upright cover, P130 (2-dr.)	Red 1965 (use for '66 also)	416-514 & 420-532	1265 pc.
692108/09(3/4) Rear seat cover/upright cover, P130 (2-dr.)	Wine red 1967-1968	424-551	1265 pc.
692110/11(3/4) Rear seat cover/upright cover, P130 (2-dr.)	Tan 1967-1968	425-552	1265 pc.
692112/13(3/4) Rear seat cover/upright cover, P130 (2-dr.)	Dark green 1967-1968	426-553	1265 pc.
692893/94(3/4) Rear seat cover/upright cover, P130 (2-dr.)	Blue 1969	431-596	1075 pc.
692895/96(3/4) Rear seat cover/upright cover, P130 (2-dr.)	Red 1969	432-597	1075 pc.
692891/92(3/4) Rear seat cover/upright cover, P130 (2-dr.)	Beige 1969	430-595	1075 pc.
695092/93(3/4) Rear seat cover/upright cover, P130 (2-dr.)	Blue 1970	435-637	1075 pc.
695090/91(3/4) Rear seat cover/upright cover, P130 (2-dr.)	Red 1970	434-636	1075 pc.
691462/63(3/4) Rear seat cover/upright cover, P120 (4-dr.)	Red 1965 (use for '66 also)	167-502, 171-506, 175-523, 179-527	1265 pc.
691464/65(3/4) Rear seat cover/upright cover, P120 (4-dr.)	Black 1965-1967	168-503 or 172-507	1265 pc.
692100/01(3/4) Rear seat cover/upright cover, P120 (4-dr.)	Dark green 1967	185-547	1265 pc.
692096/97(3/4) Rear seat cover/upright cover, P120 (4-dr.)	Wine red 1967	183-545	1265 pc.
692098/99(3/4) Rear seat cover/upright cover, P120 (4-dr.)	Tan 1967	184-546 or 187-549	1265 pc.
691480/81(3/4) Rear seat cover/upright cover, P220	Black 1965-1967	511-519	1265 pc.
691478/79(3/4) Rear seat cover/upright cover, P220	Red 1965 (use for '66 also)	510-518, 514-536	1265 pc.
692118/19(3/4) Rear seat cover/upright cover, P220	Dark green 1967-68	520-556	1265 pc.
692114/15(3/4) Rear seat cover/upright cover, P220	Wine red 1967-68	518-554	1265 pc.
692116/17(3/4) Rear seat cover/upright cover, P220	Tan 1967-1968	519-555	1265 pc.
692897/98(3/4) Rear seat cover/upright cover, P220	Beige 1969	522-598	1265 pc.
692899/00(3/4) Rear seat cover/upright cover, P220	Blue 1969	523-599	1265 pc.
692901/02(3/4) Rear seat cover/upright cover, P220	Red 1969	524-600	1265 pc.
671118M (5.) Webbing, under front seat (and upright)	(per meter)		49/m
671118 (5.) Webbing, under front seat	(ready-to-fit)		255 seat
671226 (6.) Clip, for pirelli webbing (R)			8

		Price			Price
653779	(1.) Ventilation window, with chrome, lhs	NLA	653726	(15.) Elevator channel, for front doors	312
653780	(2.) Ventilation window, with chrome, rhs	662	653742	(16.) Elevator channel, for rear doors	312
657475	(3.) Vent window pane, clear glass	125	320551	(17.) Rubber filler strip, for elevator channels	30 pc.
			656577	(18.) Rubber stop for elevator channels	11
673457	(4.) Rubber seal, lhs	340	661810	(19.) Rear vent window seal, P120 (lh & rh)	425
673458	(5.) Rubber seal, rhs	340	662689	(20.) Rear vent window seal, P220 wagon	265
17455	(6.) Rivet (on outside) (2 per car)	20	657476	(21.) Door glass, P120/220, clear	275
120151	(7.) Washer (2 per car)	6	655179	(22.) Door glass, P130, clear	375
191644	(8.) Rivet, for vent window frame (8 per car)	4.50 pc.		(side glass set P120 green tint - see p. 45)	
672481	(9.) Lock button on vent window (from 1968)	20	654168	(23.) Lock clip, for inner handles	5
654562-B	(10.) Wedge seal (2nd-hand, near-perfect)	110	192245-VT	Special tool for removal of inner handle clip	85
666424-B	(11.) Lock button, black plastic (2nd-hand)	25	659949-B	(24.) Spring (2nd-hand)	25
662294	(12.) Plastic bush for lock button	20			
673280	(13.) Striker plate, rhs, P130, later type	135	654169	(25.) Bakelite washer (up to 1964)	24
678127	(14.) Volvo reflective sticker on doors	20 pc.	670664	(26.) Bakelite washer (1965-1970)	15
			668969-B	(27.) Armrest handle (1964-1970), 2nd-hand	NLA

Door Glass guide channels:

(GC = guide channel)

2-door			4-door and wagon (front door)		
653998	(28.) GC, front upright, to early 1969	94	653998	(28.) GC, front door front upright	94
673851	(28.) GC, front upright, 1969-1970	142	653997	(29.) GC, front door upper	86
655182	(29.) GC, upper, to early 1969	94	654029	(31.) GC, front door rear upright	56
673848	(30.) GC, upper + rear upright, 1969-1970	84	653766	(32.) GC, front door lower rear, lhs (stainless)	210
654029	(31.) GC, rear upright, to early 1969	56	653767	(33.) GC, front door lower rear, rhs (stainless)	210
			653996	(34.) Felt seal, upper inner (on inside of glass)	68
663610	(32.) GC, inner rear, lhs (NB. <u>Stainless steel</u>)	210			
663611	(33.) GC, inner rear, rhs (NB. <u>Stainless steel</u>)	210			
655195	(34.) Felt seal, upper inner (on inside of glass)	75			
DGG-2	Guide channel set, 2-dr, '61-'68	650 set	653896	(38.) GC, rear door front upright	109
DGG-2a	Guide channel set, 2-dr, '69-'70	590 set	653997	(39.) GC, rear door upper	66
	(NB. These kits <u>exclude</u> 663610/11)		654565	(40.) GC, rear door rear upright (upper), P120	84
			660229	(41.) GC, rear door rear upright (upper), P220	84
			654566	(42.) GC, rr door rear up't (lower lhs, <u>stainless</u>)	310
670810	(35.) Door glass scraper seal (570 mm)	58 pc	654567	(43.) GC, rr door rear up't (lower rhs, <u>stainless</u>)	310
13319 (RD)	(36.) Seal on inside of vent window	10 pair	653996	(44.) Felt seal, upper inner (on inside of glass)	68
14939-R	(37.) Chromed screw, upper (metal) door panel	8	670810	Door glass scraper seal	58 pc.
			DGG-4	Guide channel set, 4-dr/P220 (all 4 doors)	950 set
				(NB. This kit <u>excludes</u> 653766/67, 654566/7)	

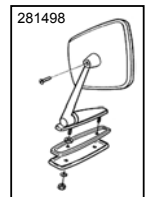


Locks and Lock sets, Miscellaneous Door components

655800	Door lock with 2 keys, lhs	245	673682	Seal (rear large), P130 from ch. 304970-	25
655802	Door lock with 2 keys, rhs	245	950021	Screw, for mounting of outer handle (2/car)	2
654146	Pushrod in door locks	42	955946	Lock washer	2
655801	Door locks, 1 pair with same keys	475			
666229	Bootlid lock, sedan	245	669366	Tailgate lock barrel, P220 wagon	210
663804	Lock set, sedan (3 locks, 2 keys)	585	669367	Lock set, P220 wagon (3 locks, 2 keys)	625
660137	Key blank (type FP)	25	660137	Key blank (type FP)	25
660138	Key blank (type FR)	25	660138	Key blank (type FR)	25
671319	Key blank (type FS)	25	671319	Key blank (type FS)	25
653716	Seal, under outer door handle (front small)	15	662720	Sliding pin, in lower t'gate handle, P220	40
660147	Seal, under outer door handle (rear large)	25	663749	Gasket, und. top t'gate outer handle (2/car)	20

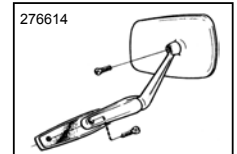
281497 } Door mirror (original fitting/option 1968-'70), arm attached
 281498 } to front of base, with threaded studs through door panel
 (First introduced during 1968 - replaced by 276614 in '73)

} Possible to remanufacture, but
 subject to demand - let us know.



276614 Current genuine door mirror, with arm fixed
 to rear of base, blue-tinted flat glass
 (First introduced as replacement for 281498 in 1973)

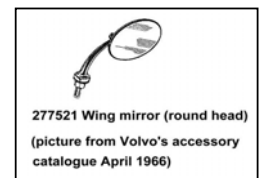
460



277521 (RP) Wing mirror with round head
 277521 (RK) Wing mirror with round head

flat glass
 convex glass

440 pc.
 455 pc.



CVI-619F Cone-shaped racing mirror (chromed)
 CVI-619C Cone-shaped racing mirror (chromed)

flat glass
 convex glass

285
 305

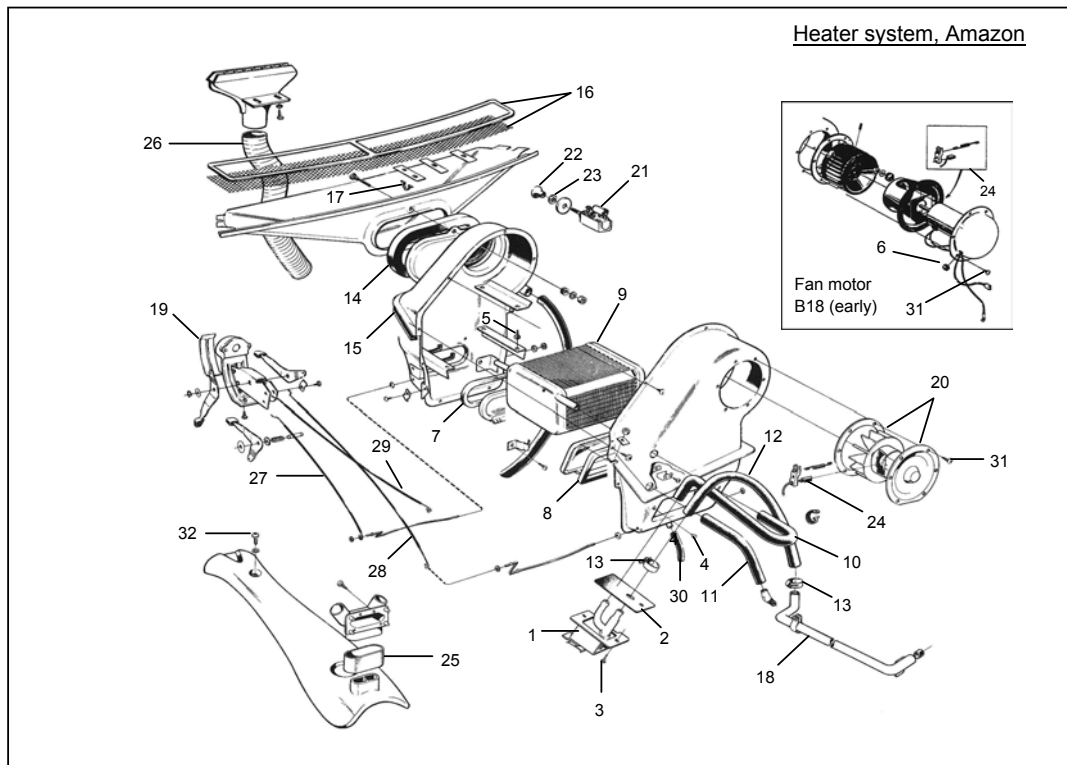
Windscreens & Heated rear screens:

656843	Windscreen, clear	1085
671889	Windscreen, green	1180
671890	Windscreen, green strip along top	Call
671891	Windscreen, blue strip along top	1250
673712	Rear screen, sedan, clear, heated	1750
673713	Rear screen, sedan, green, heated	1750
661983	Rear screen, P220, clear, heated	1450
661984	Rear screen, P220, green, heated	1450

Side glass:

657474-GS	Set of door/side glass, Amazon P120 4 dr sedan (green tint)	1450
656988-RUB	Rubber seal for fitting glass in rear side glass frames, P130	82 per meter

673452	(1.) Heater control valve	820	672409 (B)	(16.) Fresh air intake grille (second-hand only)	Call
659357	(2.) Rubber seal	24	654290	(17.) Clips for air intake, '57-'66 (steel) (6/car)	9 pc.
955138	(3.) Screw (2/valve)	1 pc.	672382-R	Clips for air intake, '67-'70 (black plastic)	7 pc.
93963	(4.) Rubber plug (1 per car)	28	418628	(18.) Water return pipe, B18 ('61-'66)	Use 419331
82429	(5.) Rubber button (8 per car)	10 pc.	419331	(18.) Water return pipe, B20	240
40136	(6.) Grommet for early fan cables	15	660529	(19.) English text for heater control	55
658722	(7.) Sponge seal for flap	40	660530	(19.) Swedish text for heater control	55
658728	(8.) Sponge seal for flap	40	671436 (B)	(20.) Fan motor (later type, <u>used</u>)	590
653203	(9.) Heater core (B18/B20)	1120	662115	(21.) Switch for fan, 12v (not USA/Can 68-70)	275
660047	(10.) Hose between heater core & valve, B16/B18	80	662115-B	(21.) Switch for fan, 12v (2nd-hand)	125
673705	(11.) Hose bet. heater core & elbow union, B16/B18	65	658191	(22.) Handle (not USA/Can 68-70)	76
943053	(12.) Hose between return pipe & valve, B16/B18	42	654442	(23.) Chromed nut (not USA/Can 68-70)	56
660047-1	*Set with all 3 hoses, B16/B18	160	670391	(25.) Rubber union for rear connection	25
682140	Hose between heater core & valve, B20	95	672483-R	(26.) Defroster hose, corrugated (1957-1964)	125/m
673639	Hose bet. heater core & elbow union, B20	98	672483	Defroster hose, plastic (1965-1970)	NLA
673637	Hose between return pipe & valve, B20	95	659599-1	(27-29.) Control cable set, heater system	495 set
682140-1	*Set with all 3 hoses, B20	255	661063	(30.) Drain hose, under heater unit	15
951789	(13.) Hose clamps (blue painted housings)	12 pc.	955137	(31.) Screw	1
951789-1	*Set with all 6 heater hose clamps	60	955138	(32.) Screw	1
658731	(14.) Sponge seal, behind heater unit	75			
659752	(15.) Sponge seal, under heater unit	75			



Note: Please include the "R" etc in the part number when ordering!

273341-R	Safety-belt for one front seat (inertia-reel type)	(Inertia-reel type, 3-point)	760
274013-R	Safety-belt for one rear seat	(Inertia-reel type, 3-point)	760

LITERATURE

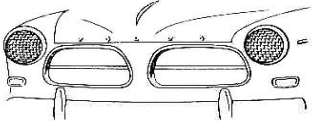
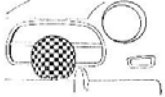
2001	Haynes Workshop manual for Volvo Amazon/1800 series		360
2003	"Essential Volvo 120 series" by Anders Ditlev Clausager		290
2005	"Volvo P120 - The Amazon Series" by Dieter Günther & Walter Wolf		275

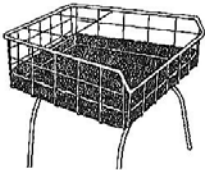
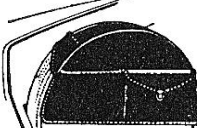

SPARE PARTS CATALOGUES (VOLVO)

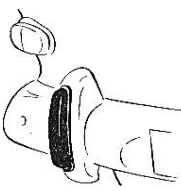
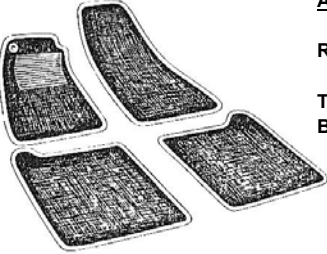
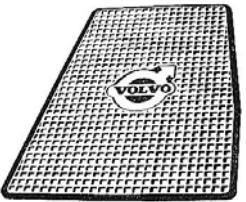
212107	Volvo Spare Parts catalogue, Volvo Amazon B16		420
212117	Volvo Spare Parts catalogue, Volvo Amazon B18		485
212119	Volvo Spare Parts catalogue, Volvo Amazon B20		420
2008	Volvo fast moving parts catalogue for Amazon, PV/Duett, 140/160 1971		75



STICKERS AND DECALS




1001	B16B Air filter sticker	(LHD)		28 pc.
1002	B16 Charging regulator, 6 volt			25
1003	B16 Ignition coil, 6 volt			25
1004	B16 Charging regulator, 6 volt (large type)			40
1005	B16 Valve cover	(B16A)		40
1006	B18B/D Air filter 1961-1966	LHD (AC)	73606	20 pc.
1007	B18B/D Air filter 1961-1966	RHD (Cooper)	667583	35 pc.
1008	B18 Charging regulator (Bosch 12v)			20
1009	B18 Ignition coil (yellow)			20
1010	B18B/D Air filter ('67-'68)	LHD & RHD	672280/81	35 pair
1011				
1012	B18 Ignition coil (white, '67-'68)			20
1013	B18 Radiator sticker			20
672765	B18/B20 Alternator warning (from '67 GT, 121/122 '68-)			65
1014	B20 Ignition coil (green, '69-'70)			25
1015	B20/B30 Valve cover sticker ("Check belt tension acc to...")			45
1016	B20 Radiator sticker ("Filled with genuine Volvo coolant...")			45
1017	"TUDOR Safety Sweden" (old batteries)			45
678127	Reflector sticker on door edge			20 pc.
1018	"Do not open See Instruction book" (radiator cap, '67-'70)			25
1019	"Fill cooling system here" (expansion bottle cap '67-'70)			25
1020	"A Product of Superb Swedish Engineering" (back window)			90
1021	H sticker, for "högertrafik", when Sweden changed over in '67			65
1022	"Volvo Rally - European Champion 1963 & 1964"			45
1026	"Bosch Volvo Imp", on alternator (Amazon, 140, P1800)			45
1029	"Brrrrrrrrrrrrrr" Air condition decal			50
660529	Heater control, red, English text (on dashboard)			45
660530	Heater control, red, Swedish text (on dashboard)			45


<p>CVI-LID Chromed "peaks", above h/lamps 190 pair</p>	<p>672618 Bracket (stainless), for GT spotlamps 140 pc.</p>	 <p>Headlamp stone guard kit 277328 (R) 250 kr pair</p>	 <p>Covers for spot & fog lamps: 281056 123 GT (Volvo logo) 210 pair 281070 Marchal logo NLA</p>
------------------------------------------------------------	-----------------------------------------------------------------	-----------------------------------------------------------------------------------------------------------------------------------------------	-------------------------------------------------------------------------------------------------------------------------------------------------------------------------------------------------

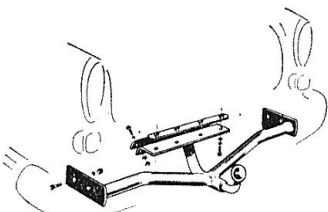
 <p>277173 Wire basket for propshaft tunnel 275 kr</p>	<p>Hubpuller, for removal of rear brake drum (Note: non-genuine)</p> <p>9991791R 550 kr</p>	 <p>Spare wheel covers: 279731 Textile reinforced plastic with pocket & Volvo logo</p>	 <table border="0"> <tr><td>Green</td><td>260</td></tr> <tr><td>Brown</td><td>260</td></tr> <tr><td>Red</td><td>260</td></tr> <tr><td>Blue</td><td>260</td></tr> <tr><td>Black</td><td>260</td></tr> </table>	Green	260	Brown	260	Red	260	Blue	260	Black	260
Green	260												
Brown	260												
Red	260												
Blue	260												
Black	260												

 <p>671246 Override protector 145 kr each</p>		<p><u>Accessory floor mat sets:</u></p> <p>Rubber (grey or black) 855 set</p> <p>Textile (coarse-weave 6-pc. set) Blue or grey: 875 set</p>	
------------------------------------------------------------------------------------------------------------------------------------	------------------------------------------------------------------------------------	-------------------------------------------------------------------------------------------------------------------------------------------------	-------------------------------------------------------------------------------------

<p>CVI-LA1 Wheelarch protectors, front, including fitting kit 945 kr pair</p> <p>NB: If picked up from us personally we offer these at 485 kr per pair!!</p> 		<p>CVI-LA2 Wheelarch protectors, rear, including fitting kit 860 kr pair</p>
----------------------------------------------------------------------------------------------------------------------------------------------------------------------------------------------------------------------------------------------------------	-------------------------------------------------------------------------------------	----------------------------------------------------------------------------------

 <p>277178 Exhaust extension pipe (Chromed) 210 kr (Standard on 123 GT)</p>	 <p>277360 Filler cap (lockable) with Volvo logo Currently unavailable</p>	 <p>277249 Luggage comp. container 325 kr</p>
------------------------------------------------------------------------------------------------------------------------------------------------------------------------	-----------------------------------------------------------------------------------------------------------------------------------------------------------------------	----------------------------------------------------------------------------------------------------------------------------------------

<p>ML-001</p> <p>Price 2200 kr/pc. or 8400 kr/set (4)</p>  <p>ML</p>	<p>Minilite wheel (genuine)</p> <p>5.5" x 15" (ET14)</p> <p>Aluminium alloy</p>	<p><u>Outer Sun Visors:</u></p> <p>Stocked in blue, red or smoke</p> <p>Price 2500 kr</p>
-----------------------------------------------------------------------------------------------------------------------------------------------------------------	---------------------------------------------------------------------------------	-------------------------------------------------------------------------------------------

<p>277481 (R) Tow bar, sedan 2300</p> <p>277483 (R) Tow bar, P220 station wagon 2400</p> <p>277479 (R) Tow ball cover, polished 18</p>	
----------------------------------------------------------------------------------------------------------------------------------------	---------------------------------------------------------------------------------------

Dear Customer

Using correct part numbers when ordering

As you can see from the catalogue now on your screen or in your hand, we at CVI have gone to a lot of trouble to produce a catalogue which will enable you to identify the parts you want as easily as possible.

However, when you come to place an order (which we prefer to be made via our on-line Order Form) we cannot stress enough how important it is that you give us the correct part number for the item you want.

As you may have noticed, we sometimes offer you a choice between a genuine part as well as a reproduced item (or pattern part as they are sometimes referred to). The way we distinguish between these is to put an R or an (R) at the end of the part number, or even a dash and then a 1. Thus, a diaphragm for a Zenith-Stromberg carburettor has the part number 237385 for the genuine article, but part number 237385-R for the repro item. Note the difference in price on these: 237385 costs SEK 55, whilst 237385-R costs a mere SEK 15.

It is your responsibility to ensure that you give us the correct number for the item you want! We cannot return items where you have given us the incorrect number.

Minimum order value

Please note that we have a minimum order value of SEK 1600 (excluding VAT & freight). It has become necessary for us to introduce this rule in order to allow for as efficient handling of incoming orders as possible - there is a lot of ancillary paperwork that is connected with each order. Of course, if you should personally come to our store and purchase directly over the counter, there is no lower limit.