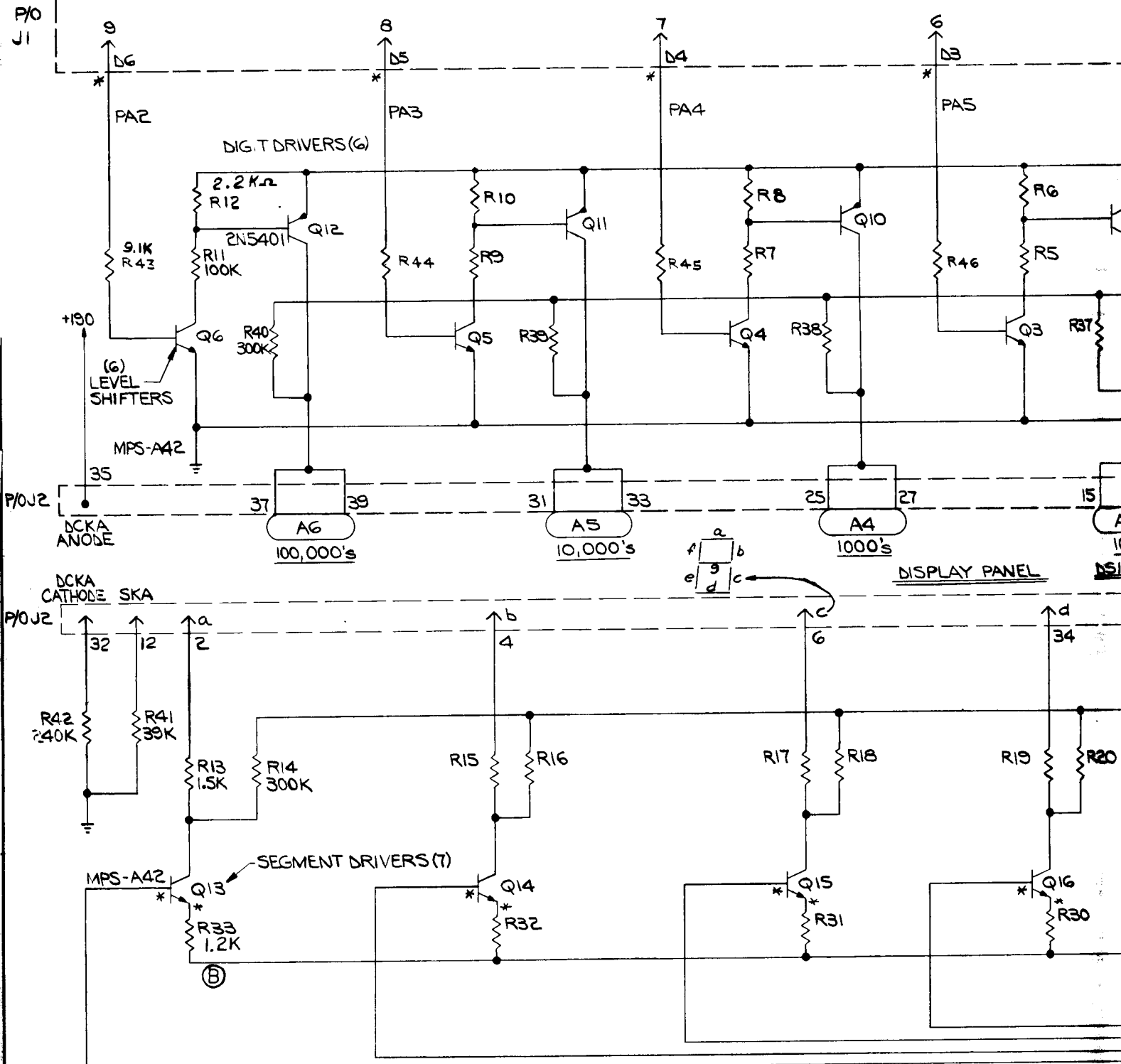
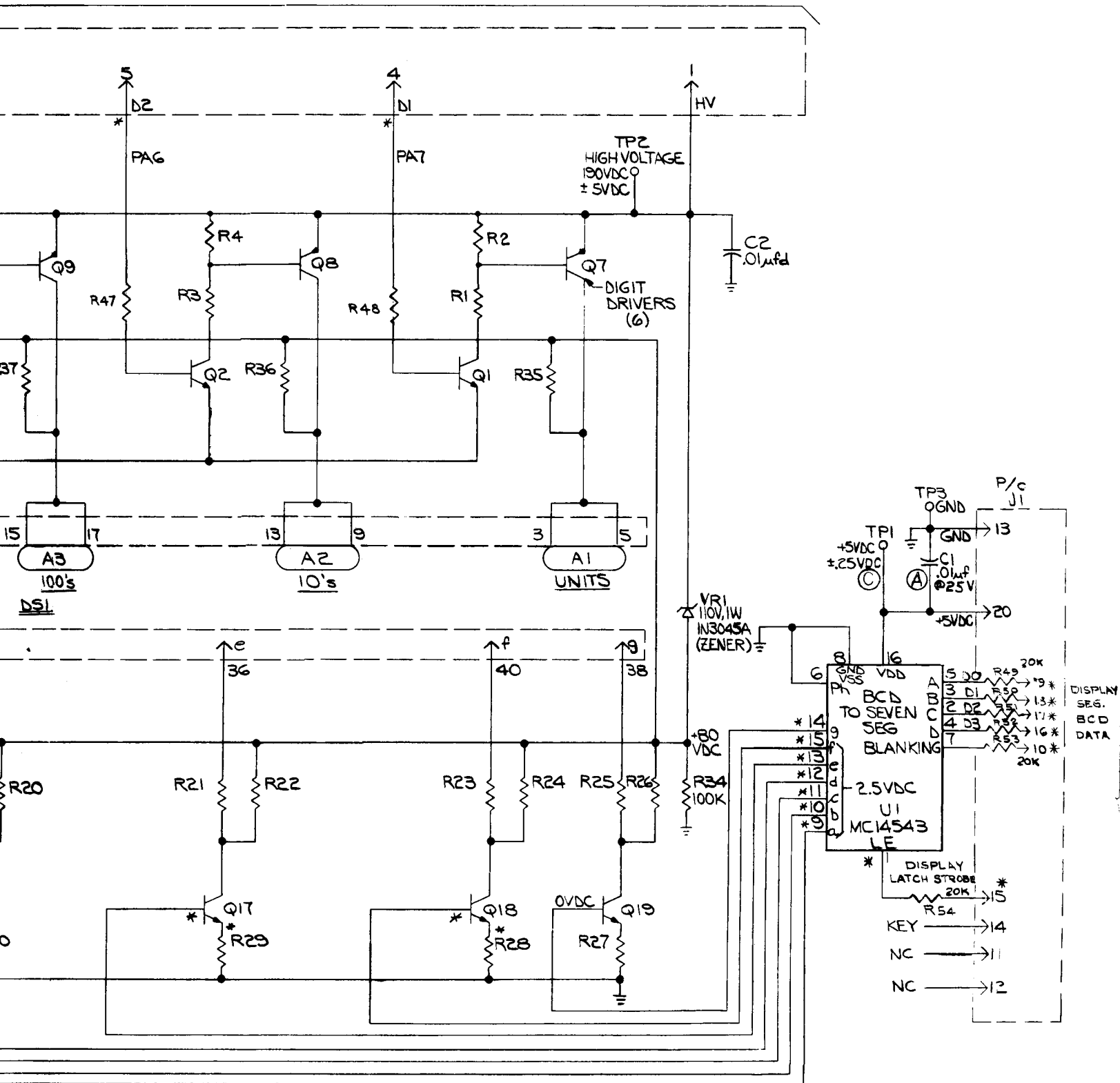


DISPLAY DIGIT ENABLE



NOTES:

1. UNLESS OTHERWISE SPECIFIED ALL RESISTORS ARE  $\pm 5\%$ , 1/4W.
2. PREFIX ALL REFERENCE DESIG. WITH ASSEMBLY REFERENCE DESIG. "A1"
3. \* INDICATES 'AID' TEST POINT.



DIE SIZE — C.C. — FT. PER M — LBS. PER M —

ALL DESIGN, OPERATIVE AND PROCESS DATA PERTAINING TO THE ARTICLE SHOWN ON THIS SHEET IS THE PROPERTY OF BALLY MFG. CORP., CHICAGO, ILL. THIS INFORMATION IS DISCLOSED IN CONFIDENCE AND IS NOT TO BE COPIED, REPRODUCED, REVEALED TO OR APPROPRIATED BY OTHERS, IN PART OR IN WHOLE, WITHOUT THE EXPRESS CONSENT OF THE OWNERS. THE PRINT IS LOANED AND MUST NOT BE USED IN ANY MANNER DETRIMENTAL TO THE INTEREST OF THE OWNERS, AND MUST BE RETURNED ON DEMAND.

REMOVE ALL BURRS		DR. BY DATE D.G. 7-22-77		Bally MANUFACTURING CORP. #1120-E 2640 BELMONT AVENUE CHICAGO, ILLINOIS		
TOLERANCES ON DIMENSIONS UNLESS OTHERWISE SPECIFIED		CR. BY DATE S.D.M. 7-8-77		PRINT CONTROL: CBR, DPR, FILE, PROJ, SPT, INS, TEP, HSB		
FRACTIONS: DECIMALS: ANGLES:		AP'D BY DATE D.G. 10/14/77		NAME: 6 DIGIT DISPLAY BOARD SCHEMATIC "A"		
DO NOT SCALE DRAWING		FINISH: <i>W</i>		MATERIAL:		
NO. LET. CHANGE		HARDENING: <i>W</i>		TOTAL SCALE: <i>W</i>		
3	C	WAS VAC	6-20-86	J.D.	ASSEM. NO. USED ON/W AS-2518-21	
2	B	WAS 1K	3-28-80	J.D.		
1	A	WAS 500V	4-16-79	J.D.		
NO.	LET.	CHANGE	DATE	BY	CK.	PART NO. W-1184-1c