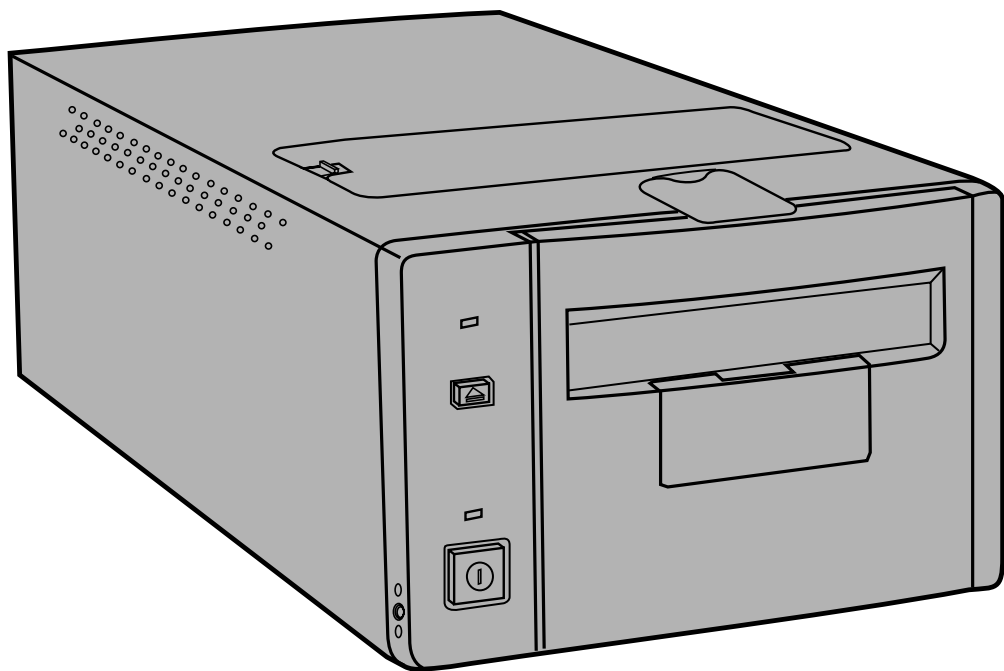


MINOLTA

Dimâge Scan Multi

Hardware Manual



Thank you for purchasing the Minolta Dimâge Scan Multi. The Dimâge Scan Multi is a multiple format film scanner capable of scanning medium format, 35mm, 16mm, and sleeved APS film. With the optional APS adapter, advanced photo system film in the cassette can also be scanned.

Your new scanner has extraordinary features, including:

- Medium-format film scanning capability. The included medium-format film holder uses antinewton glass and includes masks for 6x4.5, 6x6, 6x7, 6x9.
- 12-bit AD converter, so fine detail is captured with a dynamic range.

This manual has been designed to help you understand the operation of your scanner. To realize all the benefits of your scanner, please read this manual and the accompanying software manual thoroughly.

The instructions in this manual assume you have a working knowledge of the operating system for your computer (Mac OS, Windows 95, or Windows NT) and its conventions. Familiarity with the mouse and standard operating system menus and commands is necessary before operating the Dimâge Scan Multi software.

This manual does not instruct in the:

- basic use of personal computers.
- use of Window 95, Windows NT, or Mac OS.
- use of Adobe Photoshop, Paint Shop Pro, or Corel Draw.

Microsoft, Windows®, Windows 95®, and Windows NT® are registered trademarks of the Microsoft Corporation.

Macintosh™, Apple®, and Power Macintosh® are registered trademarks of Apple Computer, Inc.

Other corporate and product names are the trademarks and registered trademarks of their respective companies.

- Changes or modifications not approved by the party responsible for compliance could void the user's authority to operate the equipment.
- This manual may not be copied in part or whole without prior written permission from Minolta Co., Ltd. ©1998 Minolta Co., Ltd.
- Every necessary caution has been taken to ensure the accuracy of this instruction manual. Please contact us if you have any questions, find any errors, or notice missing information.
- Minolta is not responsible for loss, damage, or other results occurring during the operation of this product.



This mark certifies that this product meets the requirements of the EU (European Union) concerning interference causing equipment regulations. CE stands for Conformité Européenne.

Film Scanner: Dimâge Scan Multi



Tested to comply
with FCC standards.

FOR HOME OR OFFICE USE

This device complies with Part 15 of the FCC Rules. Operation is subject to the following conditions: (1) This device may not cause harmful interference, and (2) this device must accept any interference received, including interference that may cause undesired operation.

Do not remove the ferrite cores from the SCSI cable.

This Class B digital apparatus complies with Canadian ICES-0003.

Cet appareil numérique de la classe B est conforme à la norm NMB-003 du Canada.

FOR PROPER AND SAFE USE

Please read and understand each caution before using this product.



CAUTION

To avoid fire or electric shock:

- Only use the voltage specified for this unit.
- Do not expose this unit to liquids.
- Do not insert metal objects into this unit.
- Do not touch the cord or plug if your hands are wet.
- Unplug this unit when it is not in use.

Improper use of the power cord may result in fire or electric shock.

- Insert the plug securely into an electrical outlet.
- Do not pull on the cord. Grasp the plug when removing the power cord from an outlet.
- Do not scratch, twist, modify, heat, or place a heavy object on the power cord.
- Do not connect the ground to a gas pipe, telephone ground, or a water pipe. Improper grounding can result in electric shock.



This product must have sufficient ventilation while in use. Blocked ventilation ducts may cause the unit to overheat, increasing the risk of fire.

- Do not use or store this product in dusty or very humid areas.

If there is smoke, a strange smell, or any other unusual conditions, shut down and unplug the unit, then contact a Minolta Service Facility.

Do not attempt to disassemble this product. It contains high-voltage circuits. Take the product to a Minolta Service facility for repairs.



Unexpected damage may occur if this unit is left unattended near young children.

TABLE OF CONTENTS

FOR PROPER AND SAFE USE	1
BEFORE YOU BEGIN	
Package Contents.....	4
System Requirements	5
NAMES OF PARTS	
Front.....	6
Back.....	7
Important: Locking Pin Information.....	7
SETTING THE SCSI ID.....	8
CONNECTING TO THE COMPUTER	
If the Scanner is the Only or Last Device in the Chain	9
If the Scanner is Inside the Chain	11
GETTING STARTED	
Film Emulsion	14
Handling Care.....	14
LOADING 35MM FILM HOLDERS	
Slide Mount Holder SH-M1	15
35mm Film Holder FH-M1	16
LOADING THE MEDIUM FORMAT FILM HOLDER MH-M1	
Using the Medium Format Film Holder MH-M1.....	18
Medium Format and TEM Film	18
16mm and APS Sleeve Film.....	20
Rotating the Frame	22
INSERTING THE HOLDER INTO THE SCANNER.....	23
Ejecting.....	23
APS ADAPTER AD-100 (SOLD SEPARATELY).....	24
APS Adapter – Names of Parts.....	24
Loading the Cassette.....	25
Inserting the Adapter	26
Ejecting the Adapter	27
CHANGING THE FLUORESCENT LAMP.....	28
IMPORTANT: BEFORE TRANSPORTING THE SCANNER	30
TROUBLESHOOTING	31

INDICATOR LAMP	33
TECHNICAL DETAILS.....	34
CUSTOMER SERVICE.....	35
INSTALLING THE SOFTWARE	
Windows 95/Windows NT	36
Macintosh	39
Macintosh – Plug-in	40
Macintosh – ColorSync™2.0	41
LAUNCHING THE SOFTWARE – WINDOWS	
Launching the TWAIN Driver	42
Launching the Utility Software	42
LAUNCHING THE SOFTWARE – MACINTOSH	
Launching the Plug-in.....	43
Launching the Utility Software	43
MINOLTA.....	44

PACKAGE CONTENTS

CHECK THIS PACKING LIST BEFORE YOU BEGIN. IF SOME PARTS ARE MISSING, CONTACT YOUR DEALER OR A MINOLTA SERVICE FACILITY.

- **Minolta Dimâge Scan Multi scanner**
- **35mm Film Holder FH-M1**
- **35mm Slide Mount Holder SH-M1**
- **Medium Format Film Holder MH-M1**
- **Film Masks:**
 - 6 x 4.5 Medium Format Film Mask**
 - 6 x 6 Medium Format Film Mask**
 - 6 x 7 Medium Format Film Mask**
 - 6 x 8 Medium Format Film Mask**
 - 6 x 9 Medium Format Film Mask**
 - APS Sleeve Film Mask**
 - 16mm Film Mask**
- **Power Cord PW-M2**
- **SCSI Cable SC-11**
- **Dimâge Scan Multi CD-ROM v1.0**
- **Instruction Manuals (1 software, 1 hardware)**
- **Warranty and Software Registration card**

SYSTEM REQUIREMENTS

MACINTOSH

CPU:	Power PC
Operating System:	System 7.5 to 8.5.1
Memory:	A minimum of 8MB (megabytes) free memory.
Hard Disk Space:	90 MB or more of available hard disk space. When 16bit or 16bit linear is selected from the Color Depth list box in the Preferences dialog box, 200MB or more of available hard disk space.
Monitor:	Minimum 13 inch monitor capable of displaying at least 32,000 colors. 16 inch(832 x 642) or larger is recommended.
Other:	Adobe PhotoShop 3.0.5 or Adobe PhotoShop 4.0.1 and 5.02 have been fully tested for use with the plug-in software.

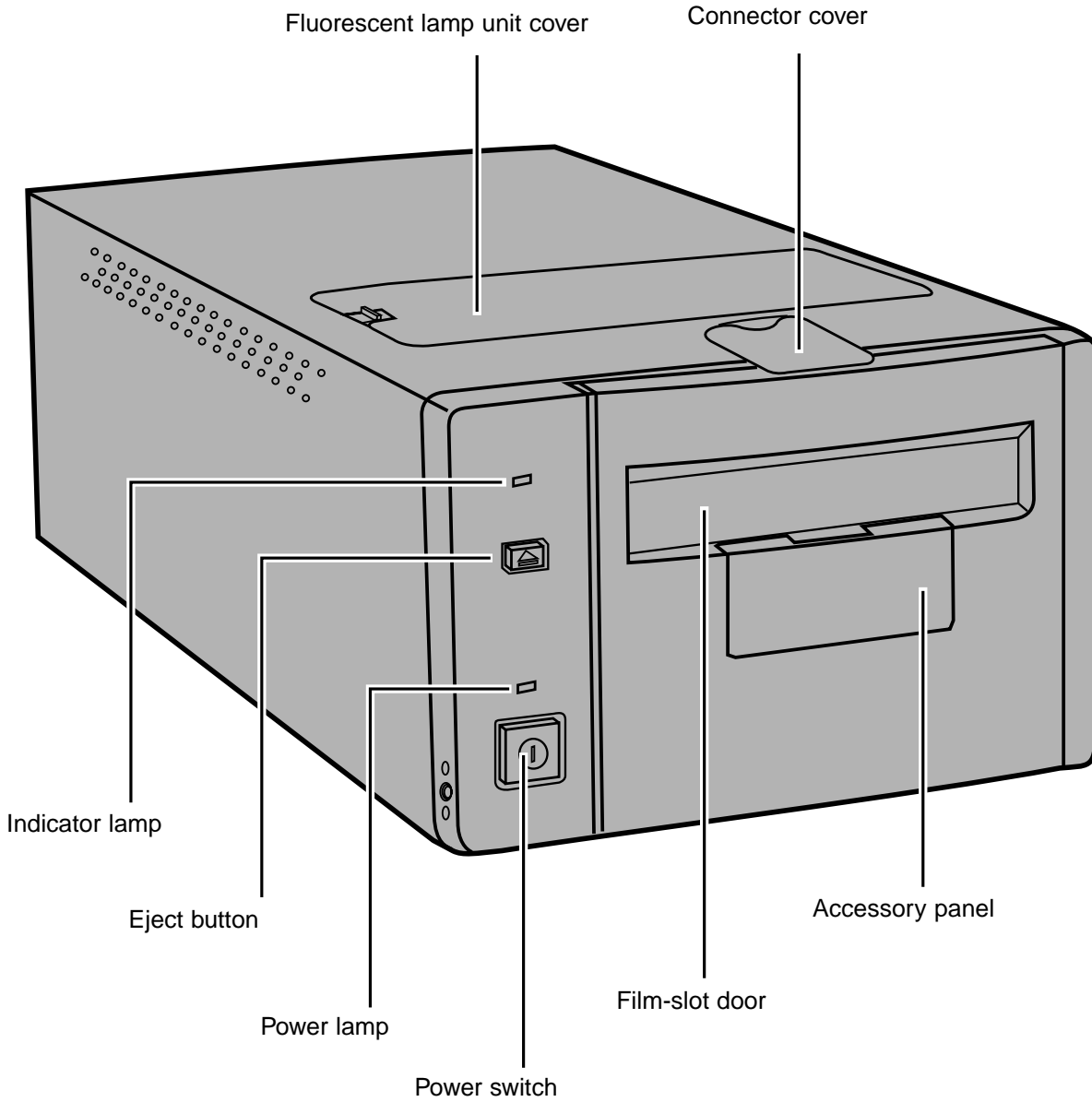
PC/AT

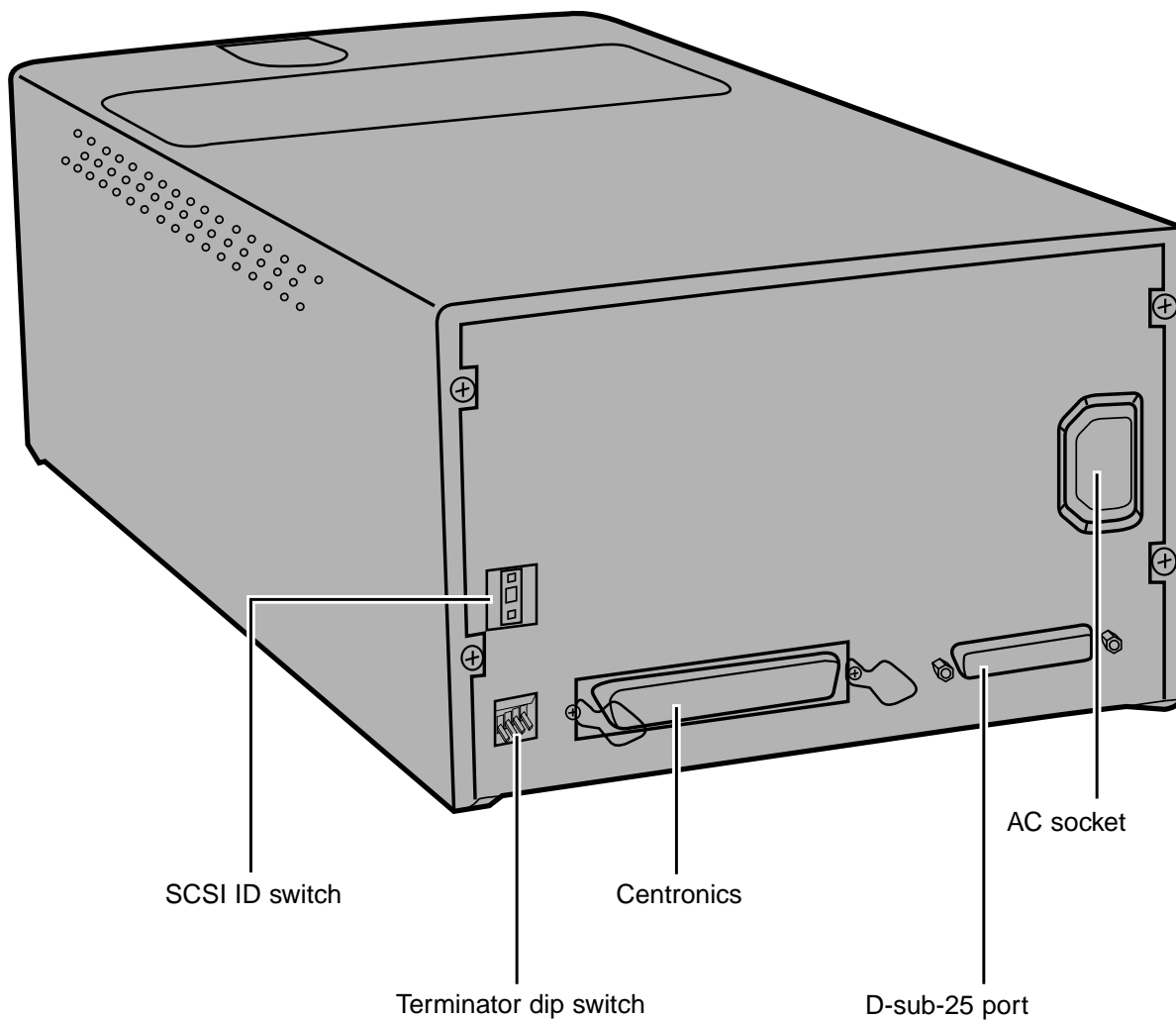
CPU:	i486DX2 66MHz or above. (Windows NT: Intel Pentium or later.
Operating System:	Windows NT 4.0, Windows 98 or Windows 95 (incl. OSR2).
Memory:	A minimum of 32MB (megabytes) of RAM.
Hard Disk Space:	90 MB or more of available hard disk space. When 16bit or 16bit linear is selected from the Color Depth list box in the Preferences dialog box, 200MB or more of available hard disk space.
Monitor:	Minimum VGA monitor capable of displaying High Color (16 bit) is required.SVGA (800 x 600) or larger is recommended.
SCSI Board:	Adaptec AVA-1505*, AVA-1505AE*, AHA-1520B, AHA-1540CP,AHA-2910B, AHA-2910C, AHA 2940, or AHA-2940U/AU/UW/W.
Other:	PhotoShop 3.0.5, PhotoShop 4.0.1 and 5.0.2, Paint Shop Pro 4.1E, and 5.0.1E Corel Draw 7, and Corel Draw 8 have been fully tested for use with the TWAIN driver software.

*Adaptec AVA-1505, AVA-1505AE are only recommended for Windows 95.

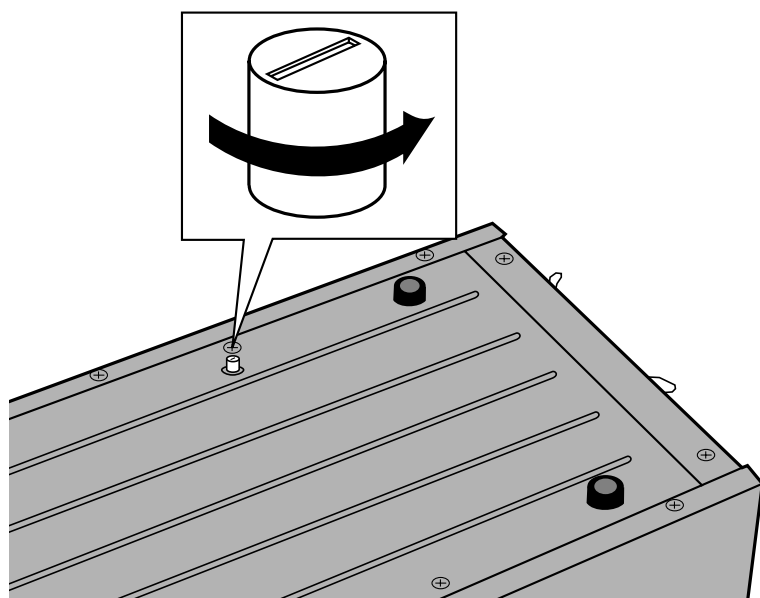
NAMES OF PARTS

FRONT





IMPORTANT: LOCKING PIN INFORMATION



UNLOCK THE OPTICS BEFORE USING THE SCANNER FOR THE FIRST TIME.

The optics inside the scanner have been parked and locked before shipment for their protection. Before using the scanner for the first time, unlock the locking pin.

- Gently turn the scanner up-side down. Using a flat-head screwdriver, turn the locking pin counter-clockwise until it pops up.

SETTING THE SCSI ID

The Dimâge Scan Multi's SCSI ID is factory preset to 5. If 5 is not being used by another operating SCSI device in the SCSI chain, it is not necessary to change the SCSI ID.

A SCSI ID is a unique address you assign to each SCSI device connected to your computer. The SCSI ID range of your computer is from 0 to 7, however some IDs are already occupied by your computer.

	Occupied SCSI ID
IBM PC/AT:	7 (SCSI host adapter)
Macintosh:	0 (internal hard drive)* 3 (internal CD-ROM drive)** 7 (system)

* IDE Macintosh systems do not use SCSI ID 0 for the hard drive.

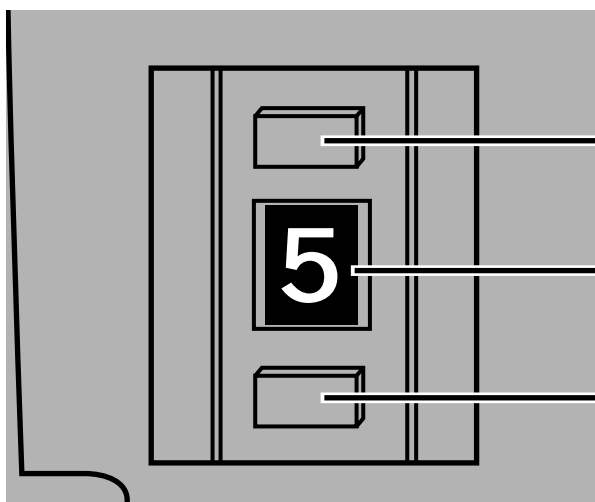
** Macintosh systems with a dual bus have SCSI ID 3 available on the external bus.



TURN OFF THE COMPUTER AND ALL THE SCSI DEVICES BEFORE CHANGING SCSI IDs, CONNECTING SCSI CABLES, OR DISCONNECTING SCSI CABLES.

TO CHANGE THE SCSI ID:

- 1. Turn off the computer and all connected SCSI devices.**
- 2. Determine which SCSI IDs are not being used.**
- 3. Change the SCSI ID using the upper or lower SCSI buttons.**



Press the upper button to select a smaller SCSI number.

The current SCSI ID number.

Press the lower button to select a higher SCSI number.

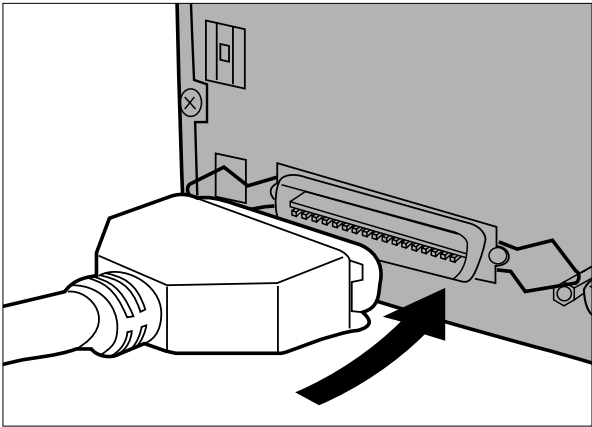
CONNECTING TO THE COMPUTER

IF THE SCANNER IS THE ONLY OR LAST DEVICE IN THE CHAIN...



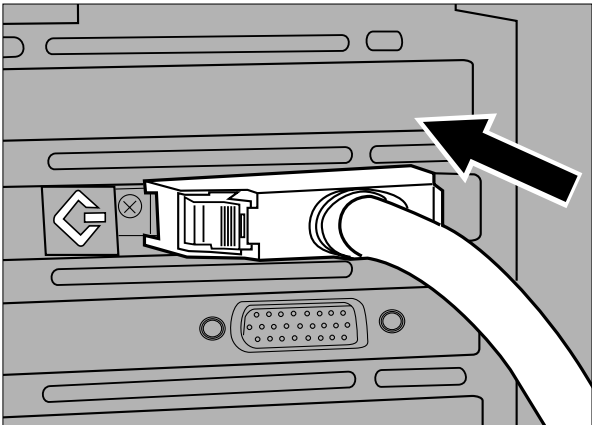
TURN OFF THE COMPUTER AND ALL THE SCSI DEVICES BEFORE CHANGING SCSI IDS, CONNECTING SCSI CABLES, OR DISCONNECTING SCSI CABLES.

One D-sub-25 to Centronics 50 cable is included with your scanner. Please see your dealer if you require a different cable.

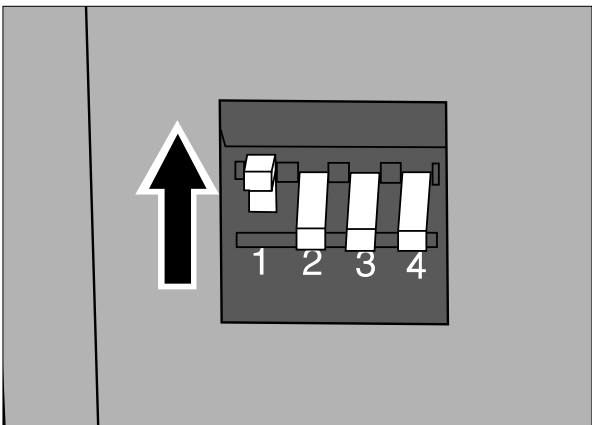


1. Connect one end of the SCSI cable to either SCSI port on the back of the scanner.

- Either SCSI port can be used, there is no dedicated in or out port.



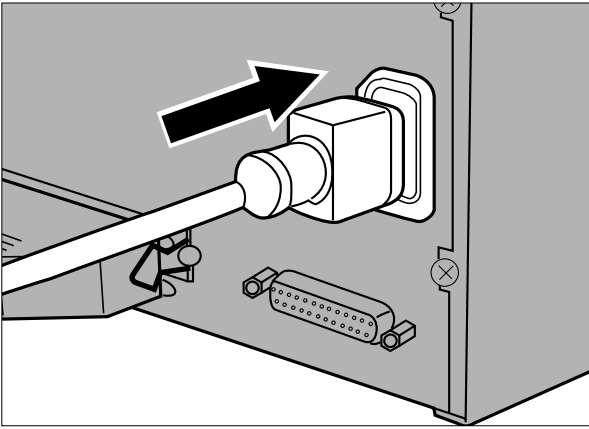
2. Connect the other end of the SCSI cable to the SCSI port on the computer or on the last SCSI device in the chain.



3. Flip the dip switch marked 1 up to turn the terminator on.

- Dip switches 2 through 4 are inactive. Their position will not affect the scanner operation.

CONNECTING TO THE COMPUTER



4. Plug the power cord into the scanner's AC socket.

5. Plug the other end of the power cord into a grounded outlet.

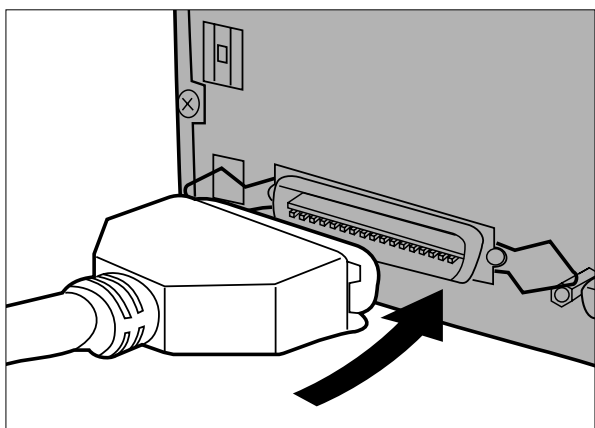
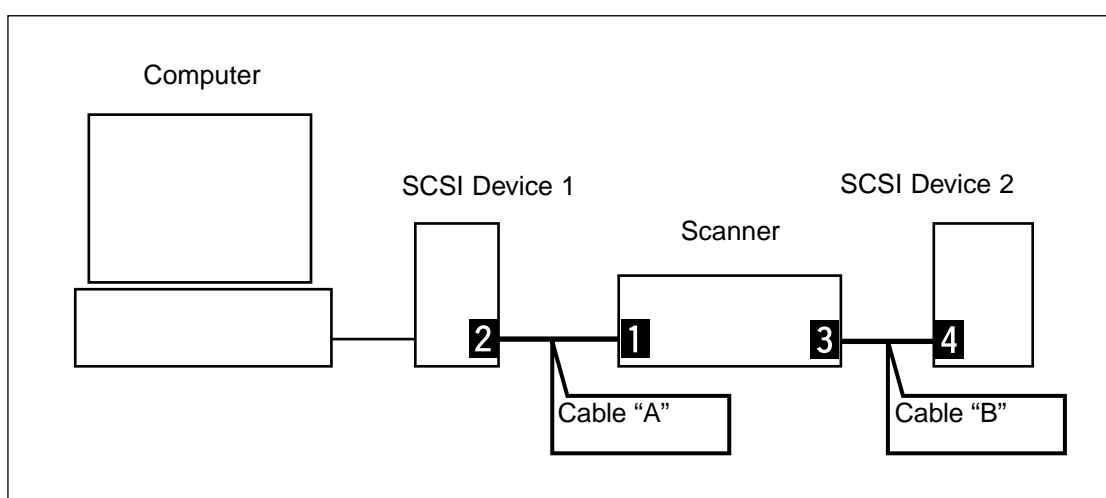
IF THE SCANNER IS INSIDE THE CHAIN...



TURN OFF THE COMPUTER AND ALL THE SCSI DEVICES BEFORE CHANGING SCSI IDS, CONNECTING SCSI CABLES, OR DISCONNECTING SCSI CABLES.

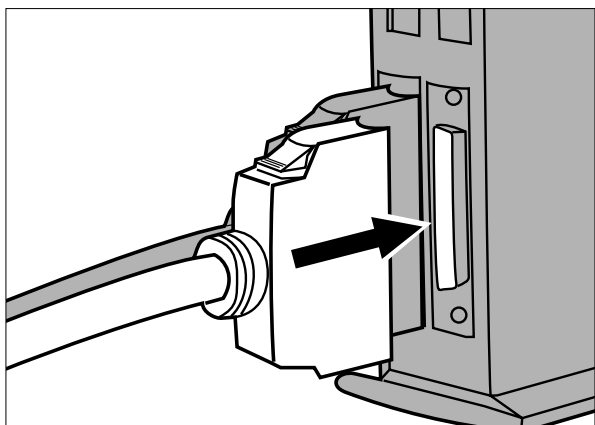
One D-sub-25 to Centronics 50 cable is included with your scanner. Please see your dealer if you require additional cables.

The following is an example of one possible SCSI chain configuration.



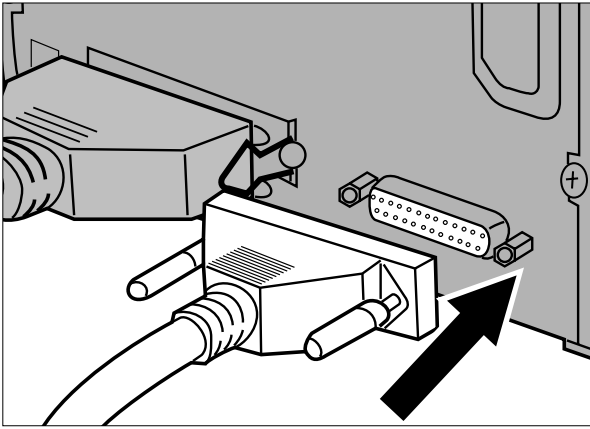
1. Connect one end of the SCSI cable A into either SCSI port on the back of the scanner.

- Either SCSI port can be used, there is no dedicated in or out port.

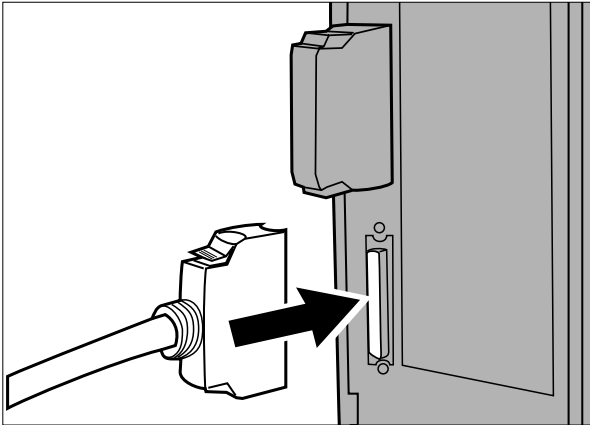


2. Plug the other end of SCSI cable A into SCSI device 1.

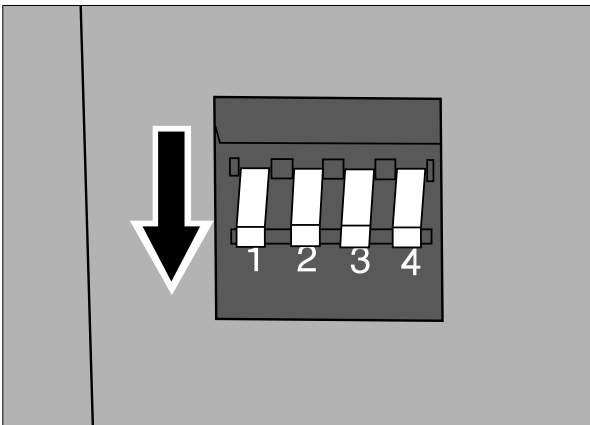
CONNECTING TO THE COMPUTER



3. Connect one end of SCSI cable B into the remaining SCSI port on the back of the scanner.

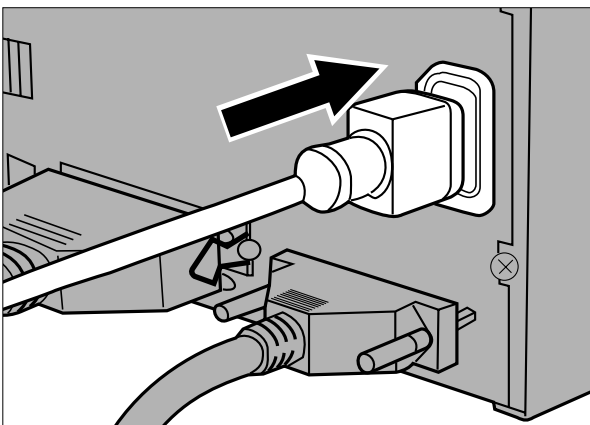


4. Connect the other end of SCSI cable B into the next device in the chain.



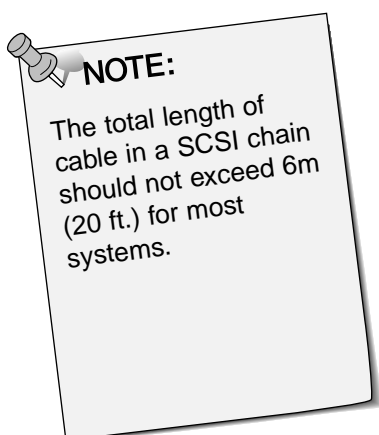
5. Flip the dip switch marked 1 down to turn the terminator off.

- Dip switches 2 through 4 are inactive. Their position will not affect the scanner operation.



6. Plug the power cord into the scanner's AC socket.

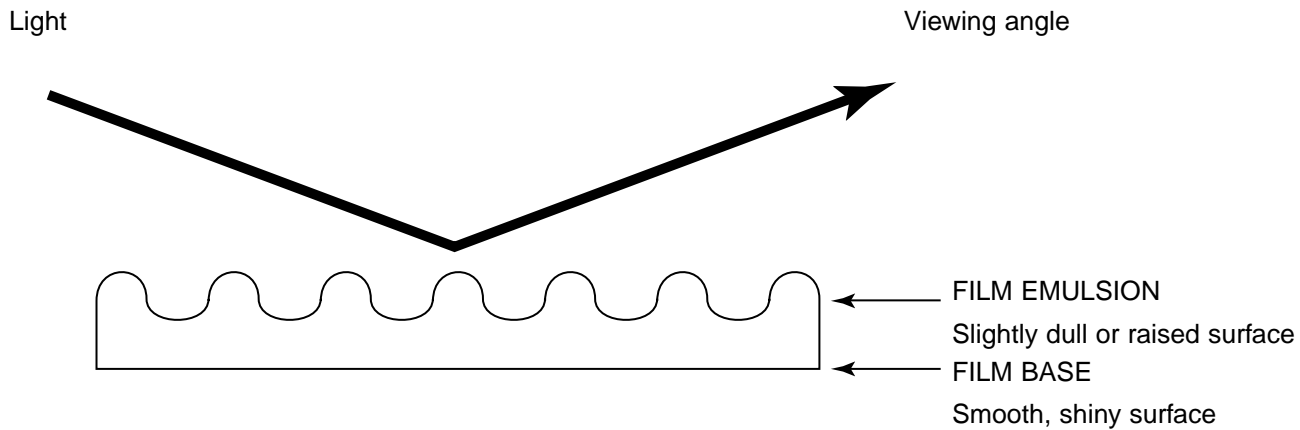
7. Plug the other end of the power cord into a grounded outlet.



GETTING STARTED

FILM EMULSION

The emulsion side of the film is the side coated with the photographic material. The base side of the film has no photographic material and its surface is smooth and shiny. The emulsion side of slide film has raised areas at subject contrast. The emulsion side of negative film is dull compared to the base side. It is easiest to determine the emulsion side when viewing the film at an angle.



The frame numbers and text are backward when the film's emulsion side is up.

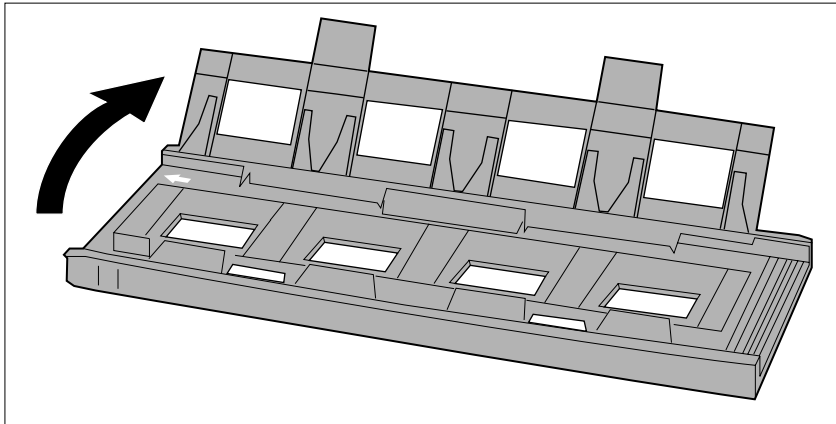
HANDLING CARE

- **Do not pull the film holder out of the scanner until the holder is properly ejected and the green indicator light is off.**
- **Do not move the scanner or touch the film holder while the transport motor is engaged (such as while scanning).**
- **Place the scanner on a stable surface.**

LOADING 35MM FILM HOLDERS

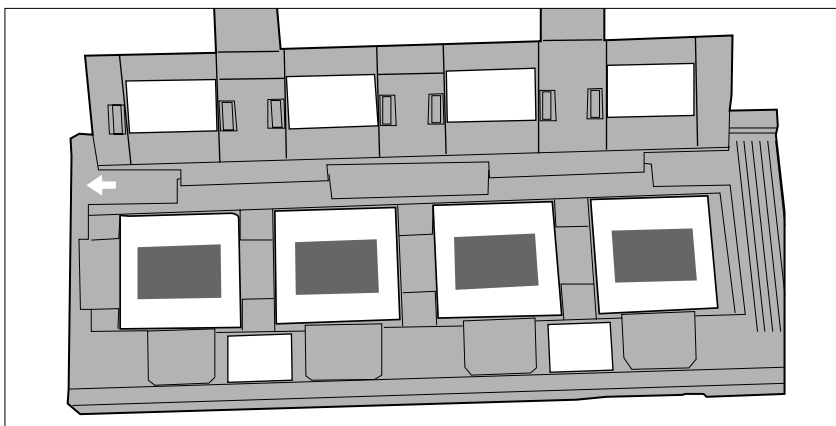
SLIDE MOUNT HOLDER SH-M1

- The slide mount holder can hold up to 4 mounted slides (35mm or APS).
- Slide mounts must be thicker than 1mm and thinner than 2mm to fit properly into the holder.
- Results of scanning glass-mounted slides can be unpredictable.
- Blow dust off the slide before placing it into the film holder.



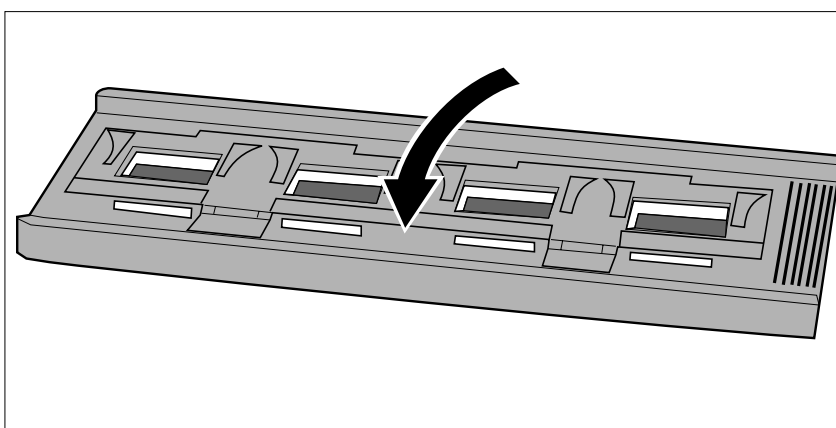
1. Position the slide mount holder so the white arrow is on the top-left side, then open the slide mount.

- Open the slide holder by pushing up on the two tabs from underneath.



2. Place the slides within the indentations, making sure they lie flat.

- Insert the slides emulsion side down.

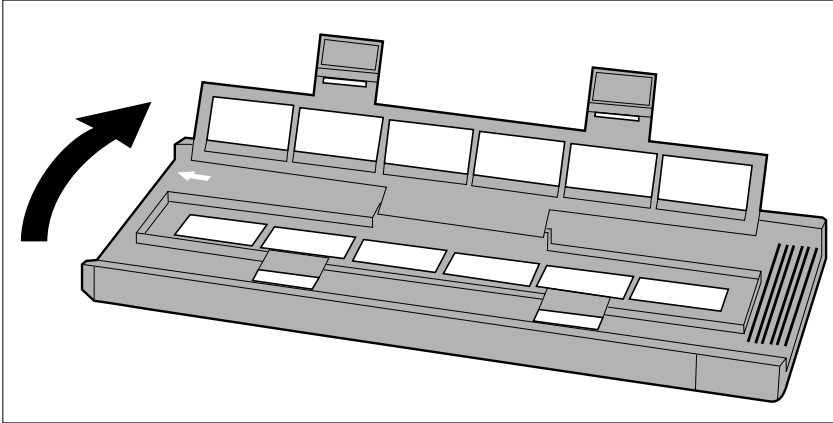


3. Press the cover firmly closed until it clicks.

35MM FILM HOLDER FH-M1

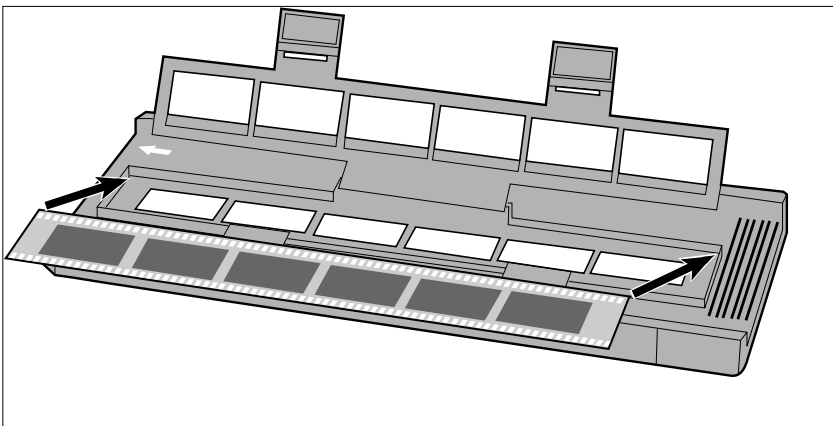
Use the FH-M1 for 35mm negatives and unmounted 35mm slide film.

- The 35mm Film Holder FH-M1 can hold film strips up to 6 frames long.
- Blow dust off the film before placing it into the film holder.

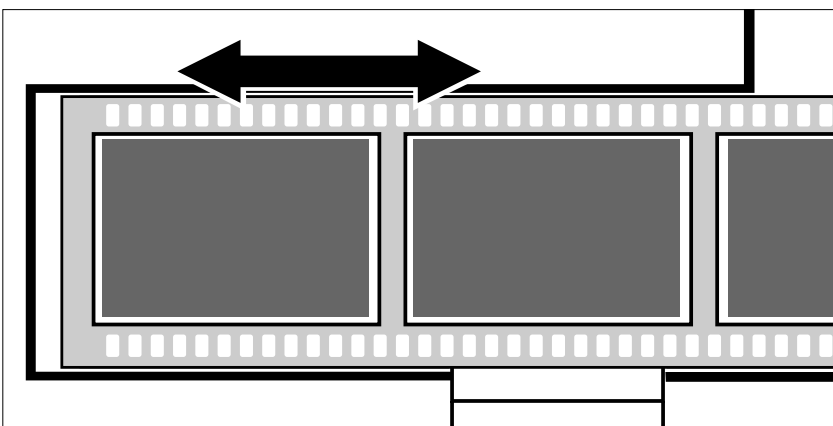


1. Position the film holder so the white arrow is on the top-left side, then open the slide mount.

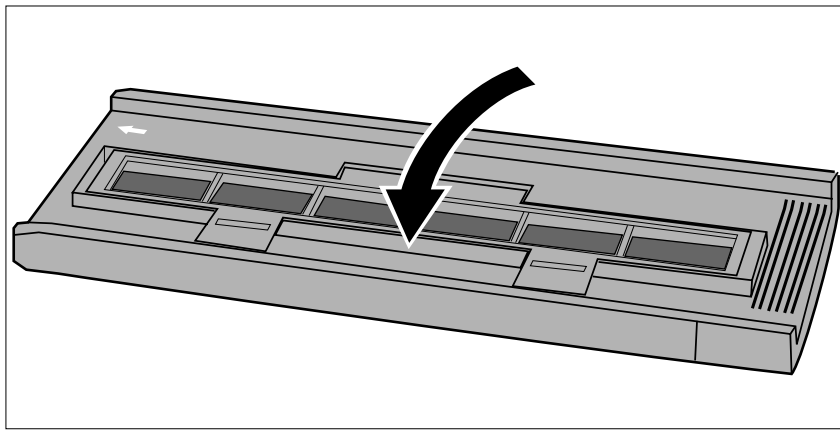
- Open the slide holder by pushing up on the two tabs from underneath.



2. Place the film in the film holder emulsion side down.



3. Align the frames within the scanning windows.



4. Press the cover firmly closed until it clicks.

LOADING THE MEDIUM FORMAT HOLDER MH-M1

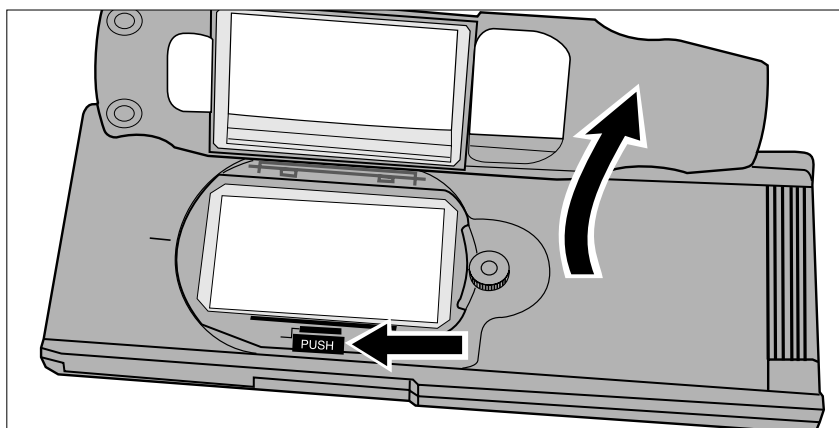
USING THE MEDIUM FORMAT HOLDER MH-M1

Use the MH-M1 for 120/220 film frames in 6x4.5, 6x6, 6x7, and 6x9 formats. The MH-M1 should also be used for sleeved APS film, 16mm film, and TEM* film. Use the appropriate film mask for each film format. The glass in the Medium Format Film Holder MH-M1 has been treated to prevent the appearance of Newton's rings (colored rings) when scanning.

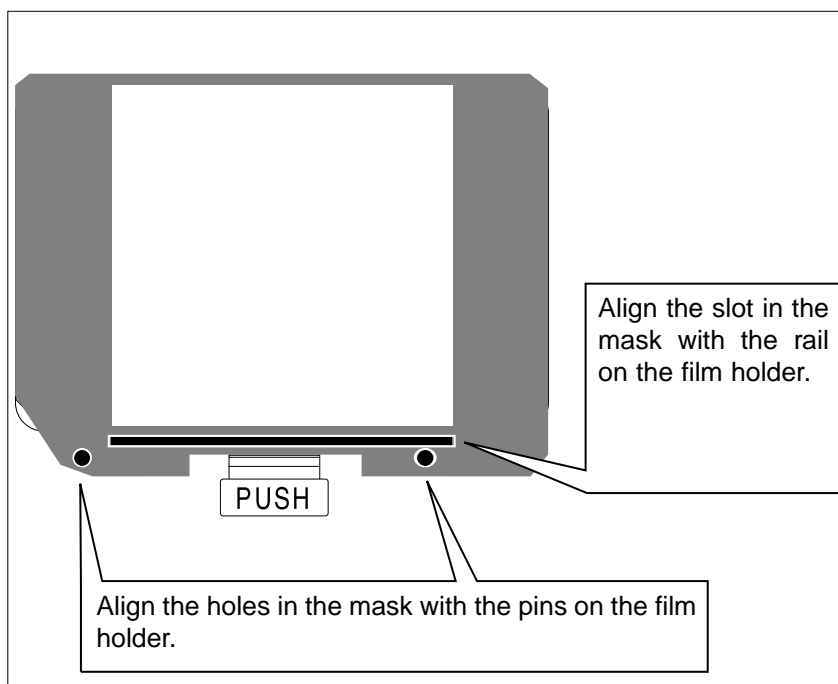
- Handle the Medium Format Film Holder MH-M1 with care. Protect the glass from impact, shock, and scratches.
- Touching the glass in the film holder may cause damage to the antineutron treatment.
- Blow away any dust from the film holder before inserting the film. If the film holder is dirty, first blow away any dust or debris, then moisten a lens cleaning tissue with lens cleaning fluid and gently wipe the surface.

* Transmission Electron Microscope

MEDIUM FORMAT AND TEM FILM



- 1. Press on the lever marked "PUSH", then lift open the holder.**

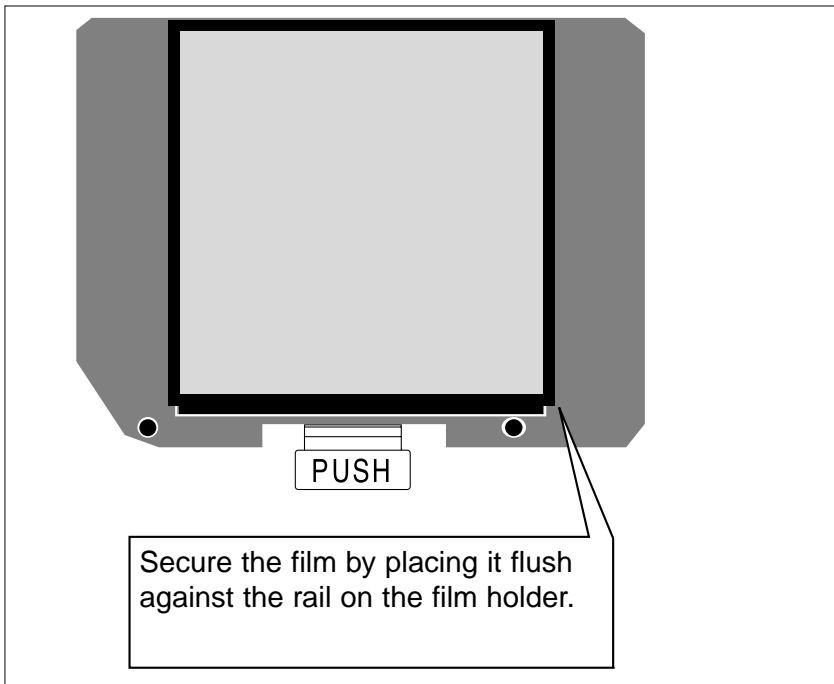


- 2. Select the appropriate mask and place it in the film holder using the guides.**

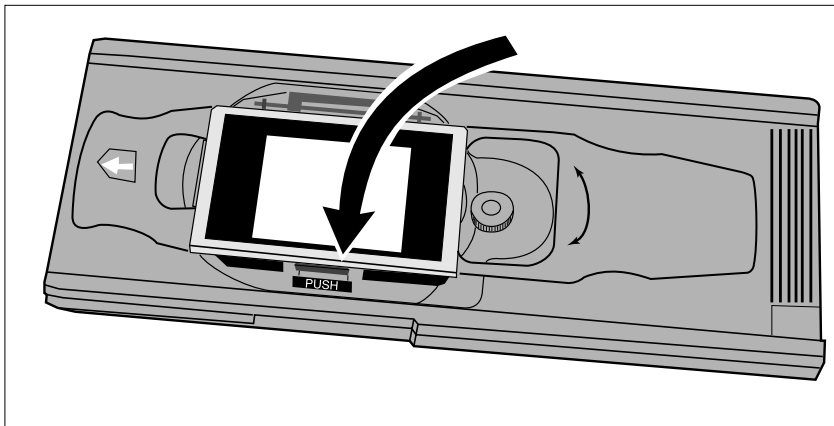
- The cut corner on the mask should be on the bottom-left side.
- Choose the appropriate size mask for TEM film.

3. Place the film in the film holder.

- Secure the film by placing it flush against the rail on the film holder.
- Place the film emulsion side down (p 14).

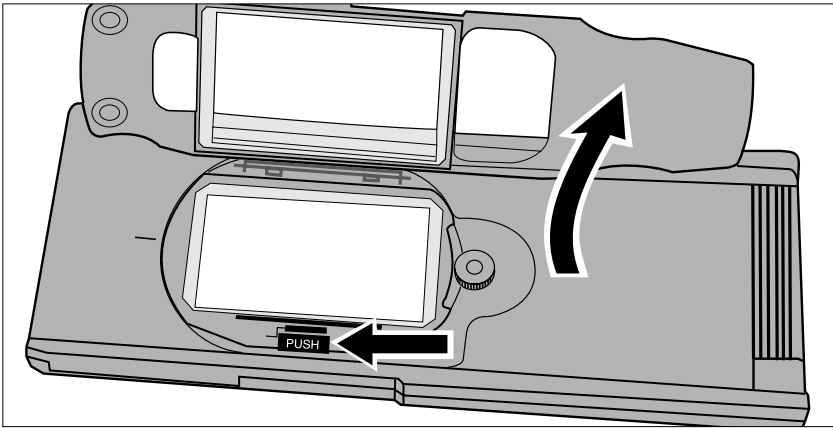


4. Press the cover firmly closed until it clicks.

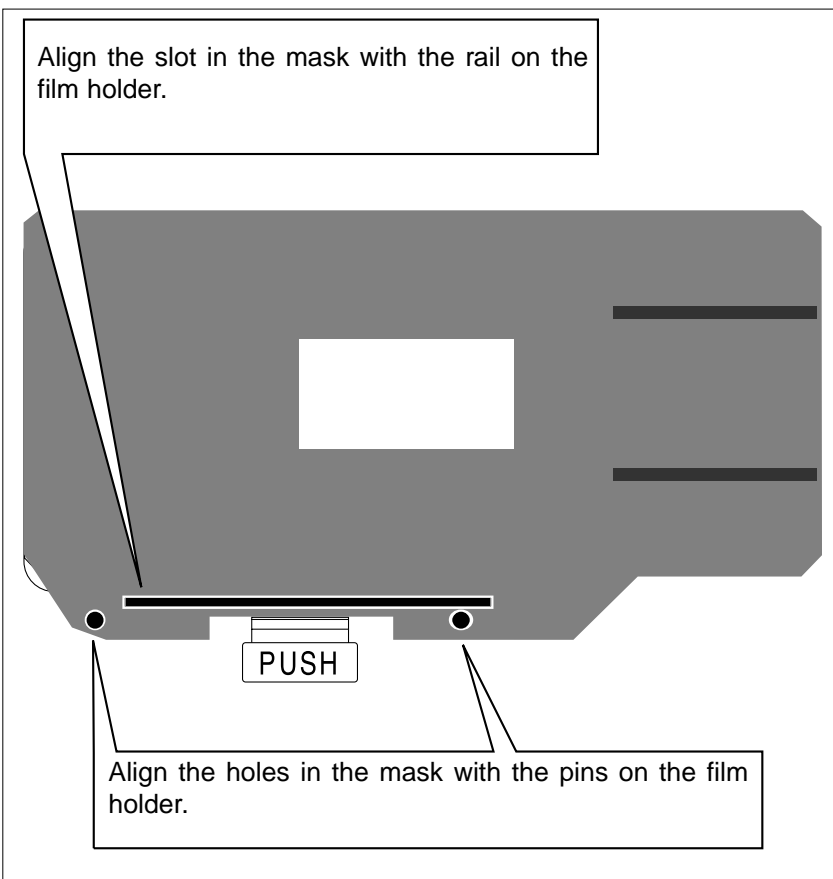


NOTE:
Always use a properly fitting mask with the medium format film holder. If no mask or a mask that is too large is used, refracting light will degrade image quality.

16mm AND APS SLEEVE FILM

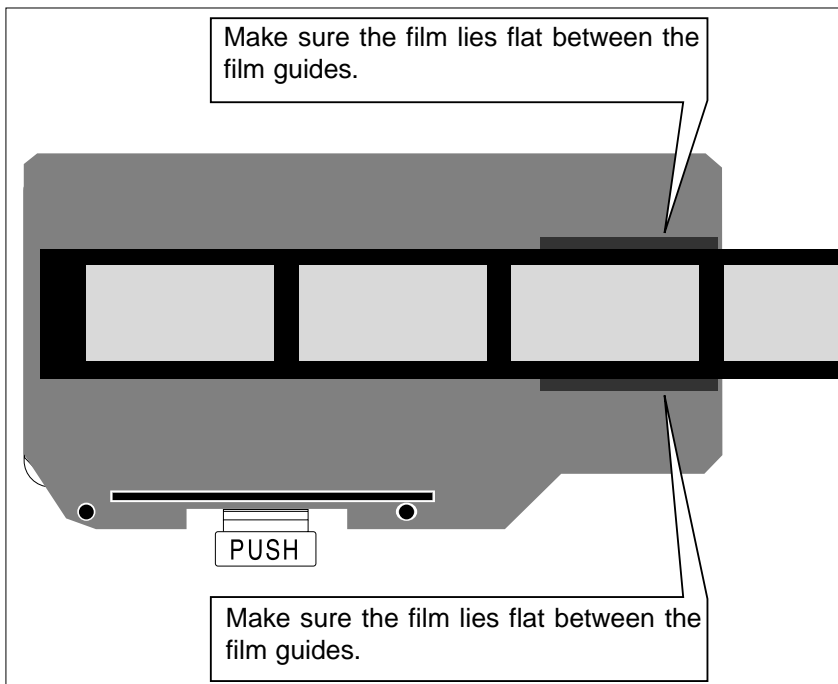


1. Press on the lever marked “PUSH”, then lift open the holder.



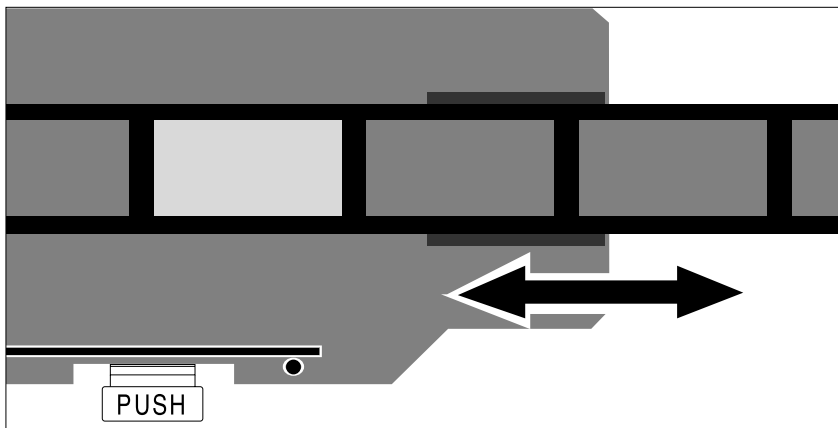
2. Place the APS Sleeve mask or 16mm mask on the film holder.

- The film guides on the mask should be on the right side.

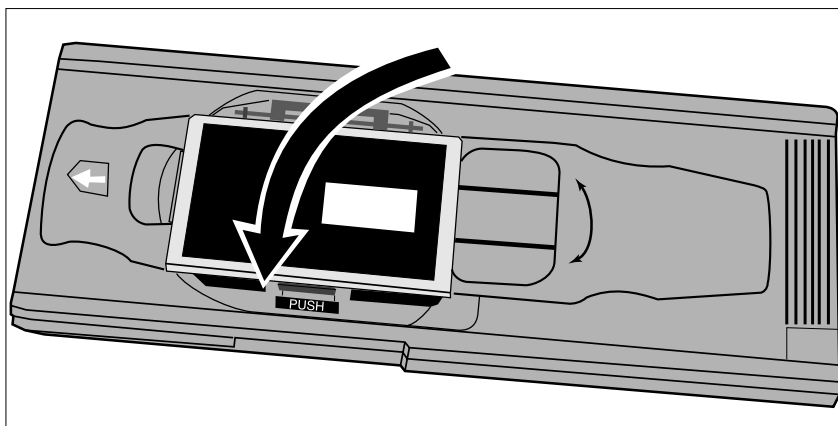


3. Place the film in the mask using the film guides.

- Place the film emulsion side down (p 14).



4. Align the desired frame within the scanning window.

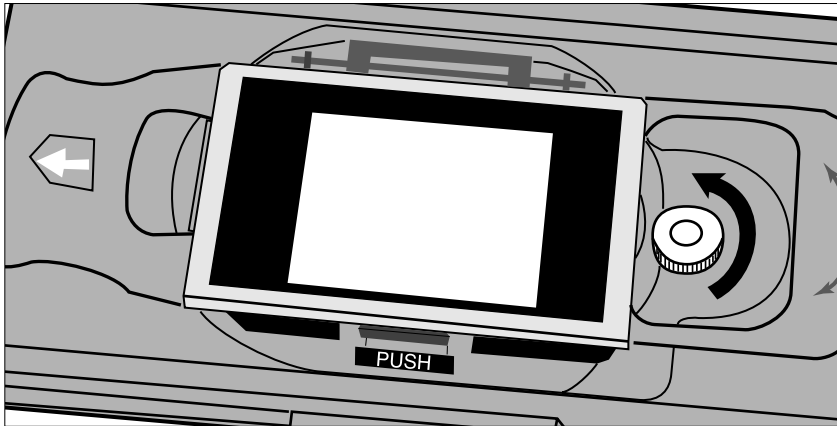


5. Press the cover firmly closed until it clicks.

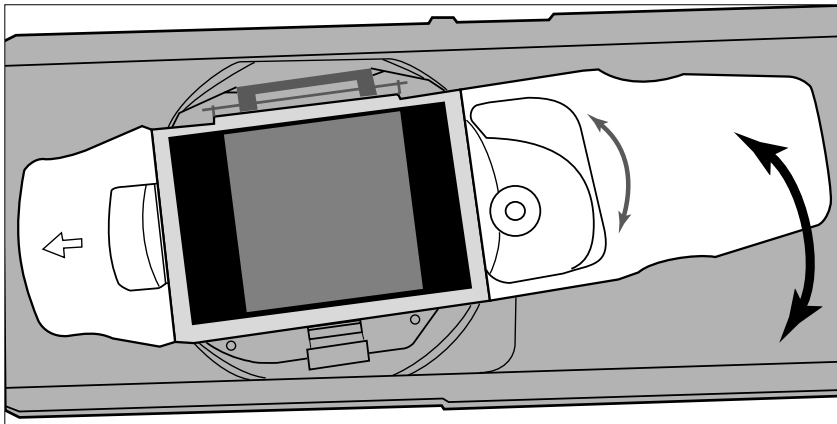
NOTE:
 Always use a properly fitting mask with the medium format film holder. If no mask or a mask that is too large is used, refracting light will degrade image quality.

ROTATING THE FRAME

The image area of the Medium Format Holder MH-M1 can rotate 10 degrees in either direction to compensate for a tilted image composition. By rotating the frame before scanning, the need to rotate the scanned image, thus resampling the pixels, is eliminated.

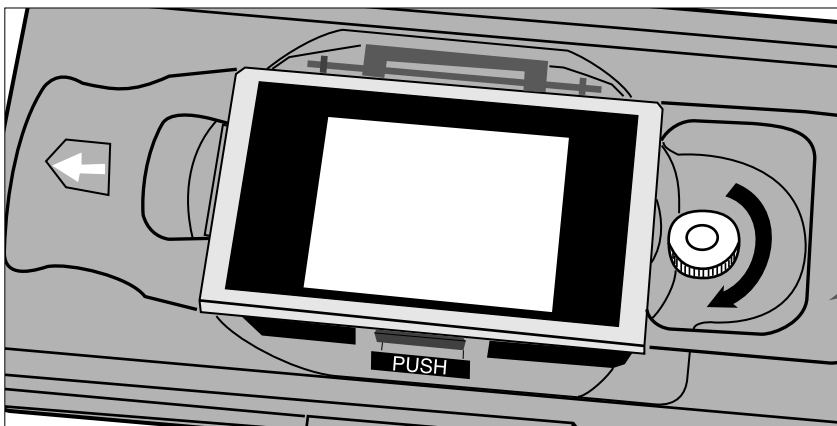


1. Turn the holding screw counter clockwise to loosen it.



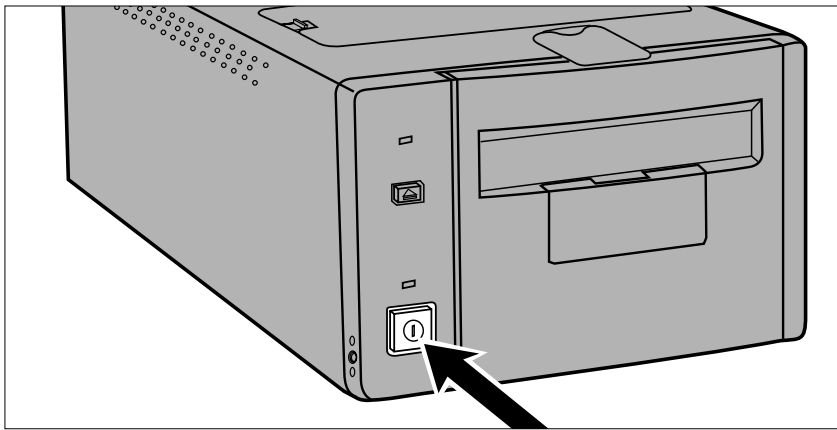
2. Rotate the carrier as desired.

- Use the angle scale on the holder for reference.
- With larger film formats, the corners of the frame may not fit in the scanning area when the carrier is rotated.



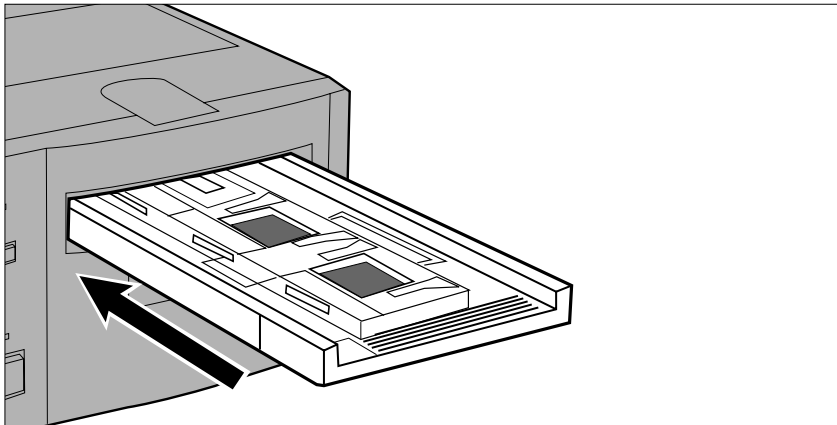
3. Turn the holding screw clockwise to secure it.

INSERTING THE HOLDER INTO THE SCANNER



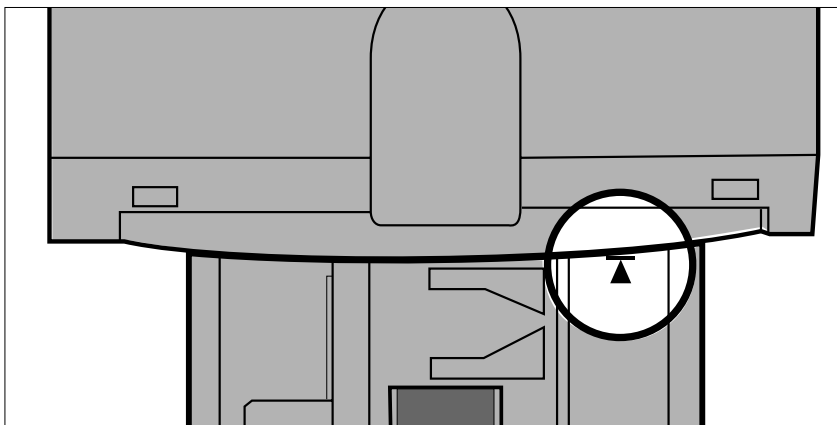
1. Press the power switch to turn the scanner on. Turn on your computer, then launch the Dimâge Scan Multi software.

- The green indicator lamp will blink slowly while the scanner is setting up.



2. Insert the holder into the scanner in the direction indicated by the white arrow on top of the holder.

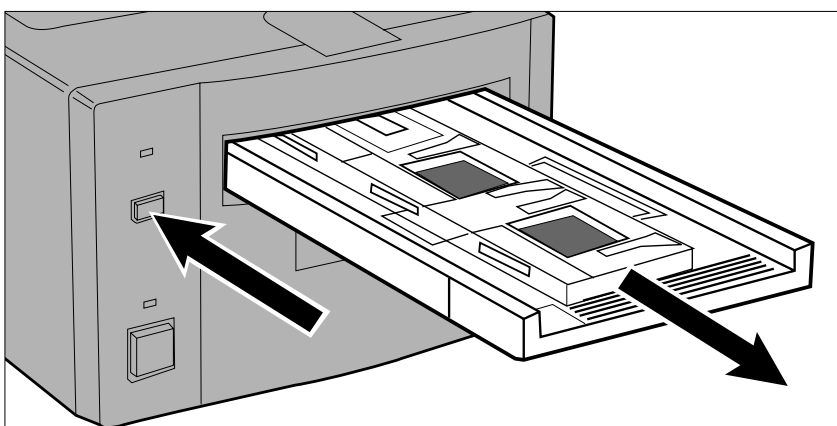
- Do not insert the holder at an angle.



3. Gently push the holder into the scanner until the raised insertion mark is aligned with the film-slot door.

- The film holder will be automatically guided in past the mark.
- If the holder is not loaded correctly, then eject and reinsert it.

EJECTING



1. Press the eject button on the front of the scanner.

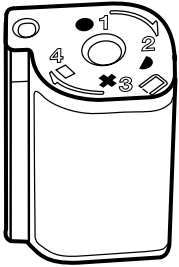
- The holder will automatically eject partway, then stop.

2. Remove the holder.

- Wait for the Indicator lamp to turn off before removing the holder.
- The holder should pull out easily.

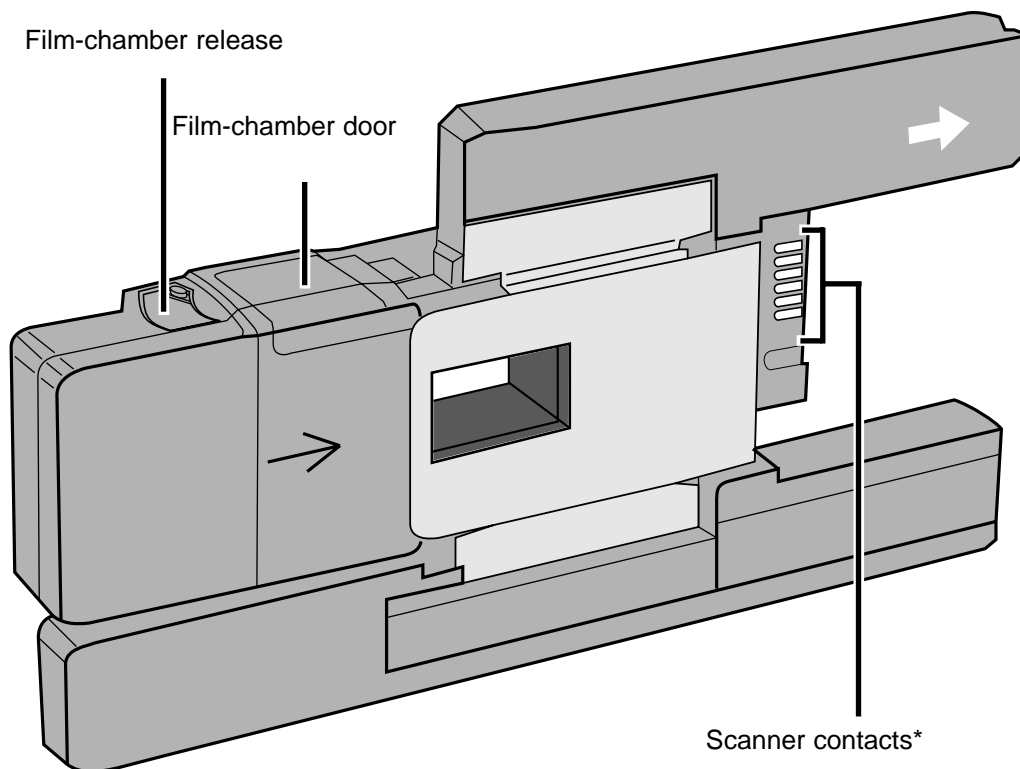
APS ADAPTER AD-100 (SOLD SEPARATELY)

- The APS Adapter AD-100 (optional accessory) is required to scan APS film in the cassette with the Dimâge Scan Multi.



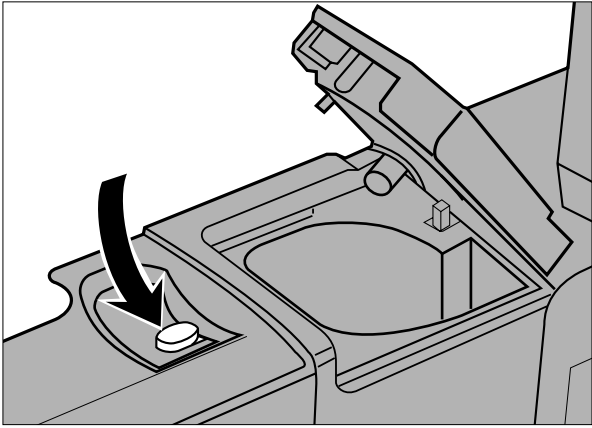
Only processed film with the VEI set to can be inserted into the APS Adapter AD-100.

APS ADAPTER – NAMES OF PARTS



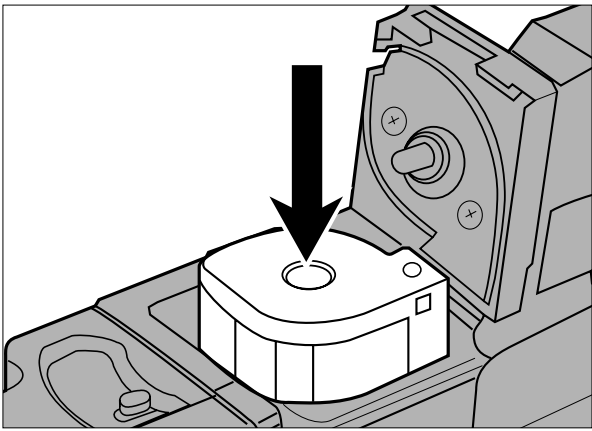
* Do not touch

LOADING THE CASSETTE




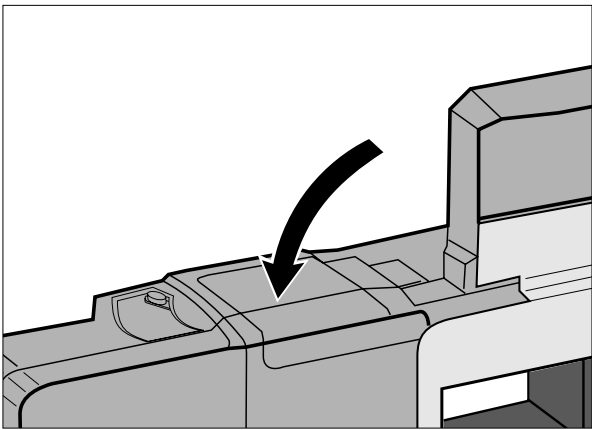
1. Slide the film-chamber release as shown.

- The film chamber door will open.



2. Insert the film cassette into the film chamber with the VEI on top.

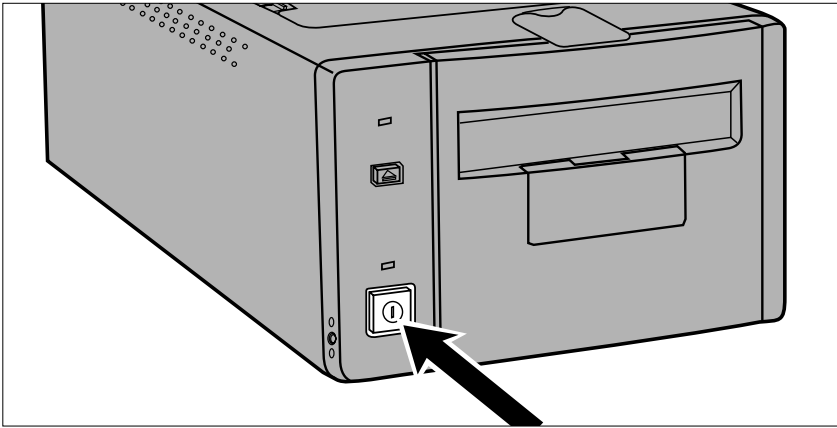
- Only load cassettes displaying the  mark.



3. Close the film-chamber door.

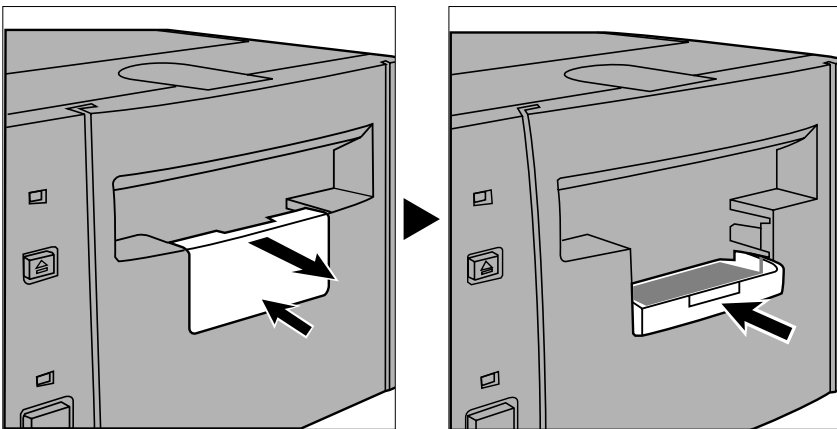
- The film-chamber release will return to its start position when the door is closed properly.

INSERTING THE ADAPTER



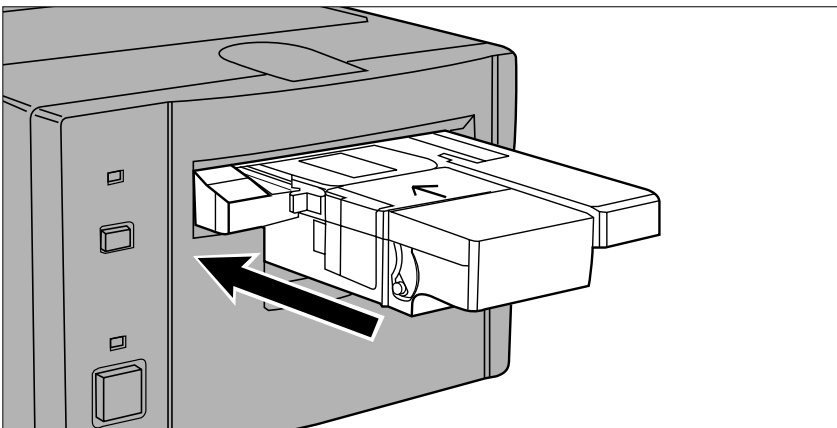
1. Press the power switch to turn the scanner on. Turn on your computer, then launch the Dimâge Scan Multi software.

- The green indicator lamp will blink slowly while the scanner is setting up.



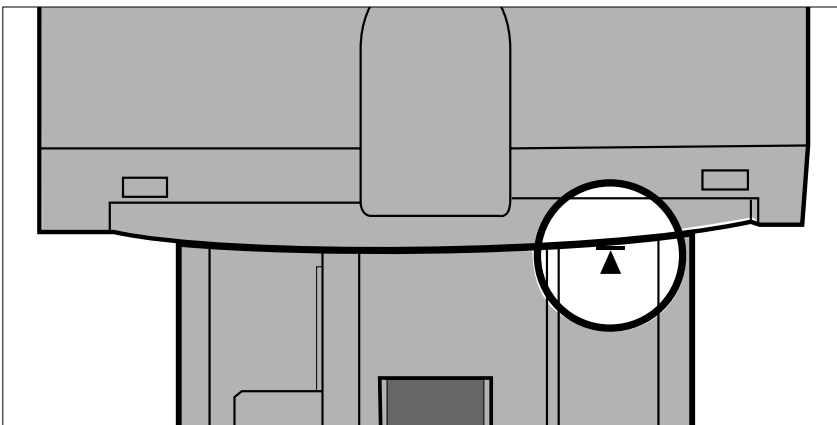
2. Pull the accessory panel on the scanner straight out, then open it all the way pushing it until it clicks.

- Do not force the accessory panel.
- Do not open the accessory panel during the set-up process. Wait until set-up is complete and the indicator lamp is off.



3. Insert the holder into the scanner in the direction indicated by the white arrow on top of the adapter.

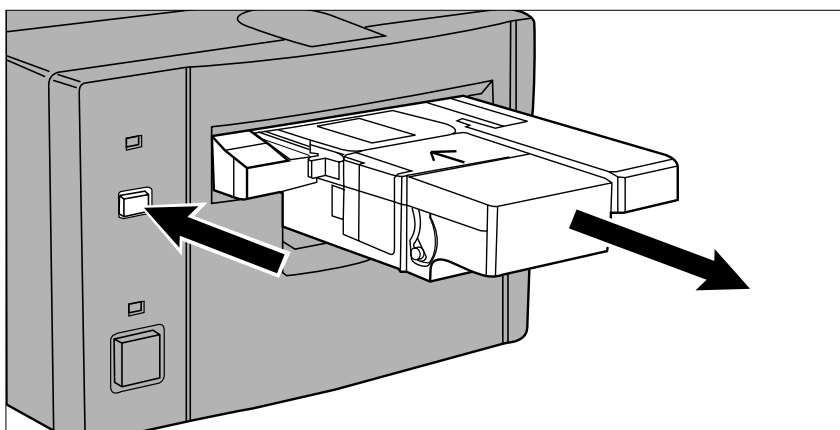
- Do not insert the adapter at an angle.



4. Gently push the adapter into the scanner until the raised insertion mark ◀ is aligned with the film-slot door.

- The adapter will be automatically guided in past the ◀ mark.
- If the adapter is not loaded correctly, then eject and reinsert it.

EJECTING THE ADAPTER



1. Press the eject button on the front of the scanner.

- The adapter will automatically eject partway, then stop.

2. Remove the adapter.

- Wait for the Indicator lamp to turn off before removing the adapter.
- The adapter should pull out easily.

- When the Eject button on the front of the scanner is used, the film will rewind into the cassette before the adapter is ejected, regardless of the software Preference settings. Please refer to the Preferences section in the software manual.

- If a film transport error occurs, do not use that cassette in the adapter. Contact a Minolta Service Facility.
- Minolta is not responsible for damage to the cassette.
- With some camera models the images will appear up-side-down. Use the Rotate All Frames 180° option in the Preferences. Please refer to the Preferences section in the software manual.

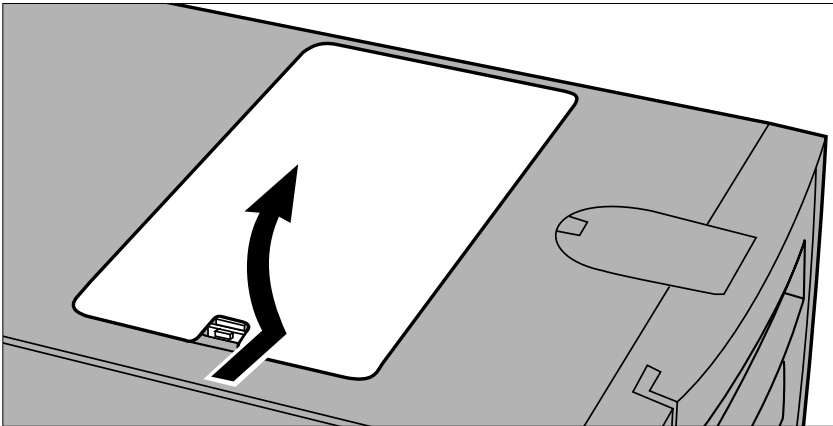
CHANGING THE FLUORESCENT LAMP

When the indicator light is red and blinks rapidly, check to see if the fluorescent lamp is operational. Replace the fluorescent lamp when it burns out. See your dealer to purchase a replacement lamp unit.

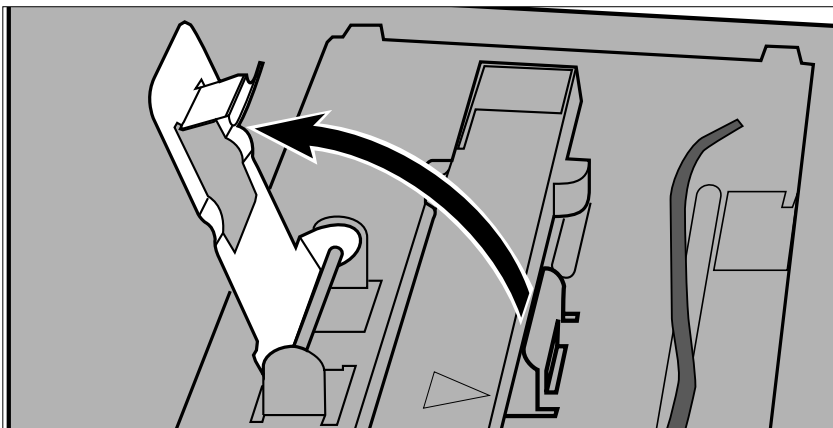


CAUTION:

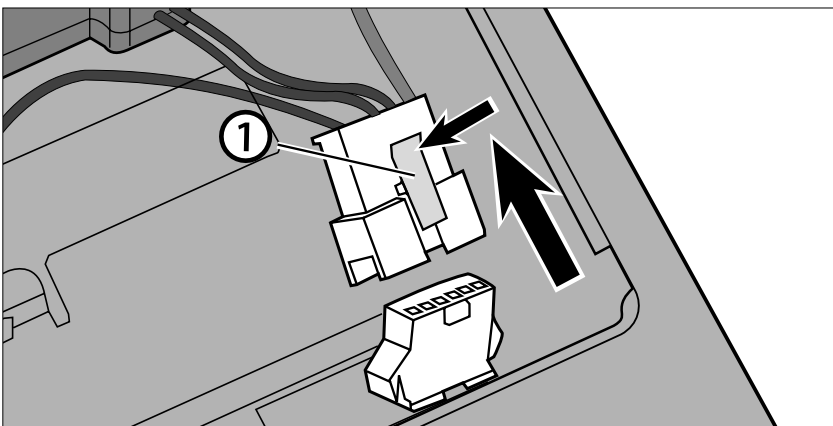
Turn off the scanner and allow the unit to cool for 10 minutes before removing the fluorescent lamp.



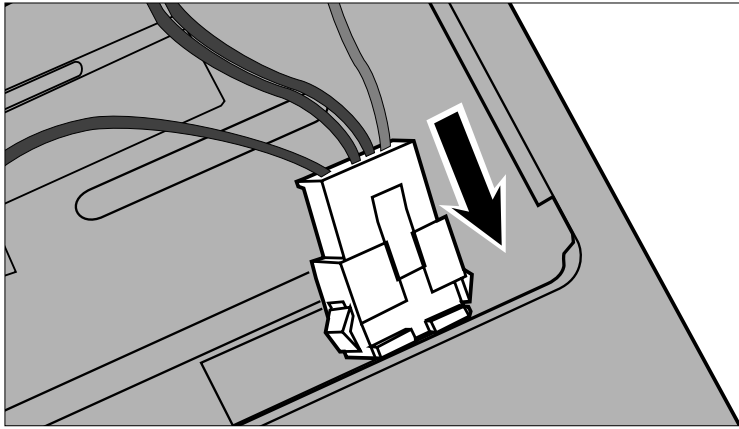
1. Remove the fluorescent lamp unit cover.



2. Pull up the locking bar.

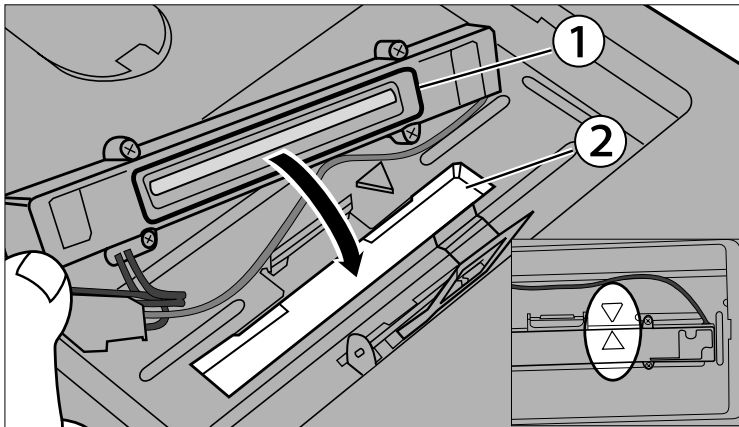


3. Press on the release tab on the plug and disconnect the old lamp.



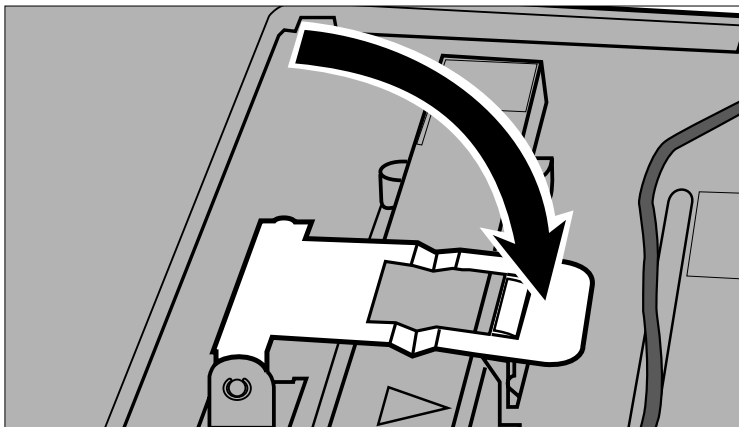
4. Connect the new lamp.

- Snap the connectors together until they click.

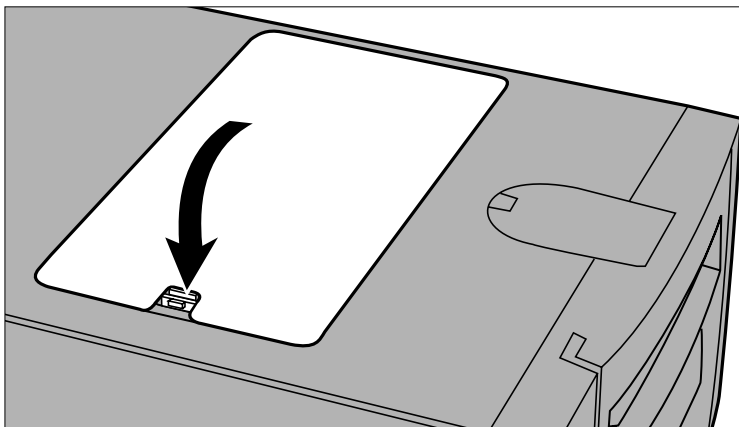


5. Place the lamp unit in the scanner by aligning the raised edge of the lamp unit 1 with the rectangular notch 2 on the scanner.

- The arrows on the lamp and scanner should be lined up.
- The lamp unit will not slide from side to side if it is inserted correctly.



6. Hold the lamp unit in place and replace the locking bar.

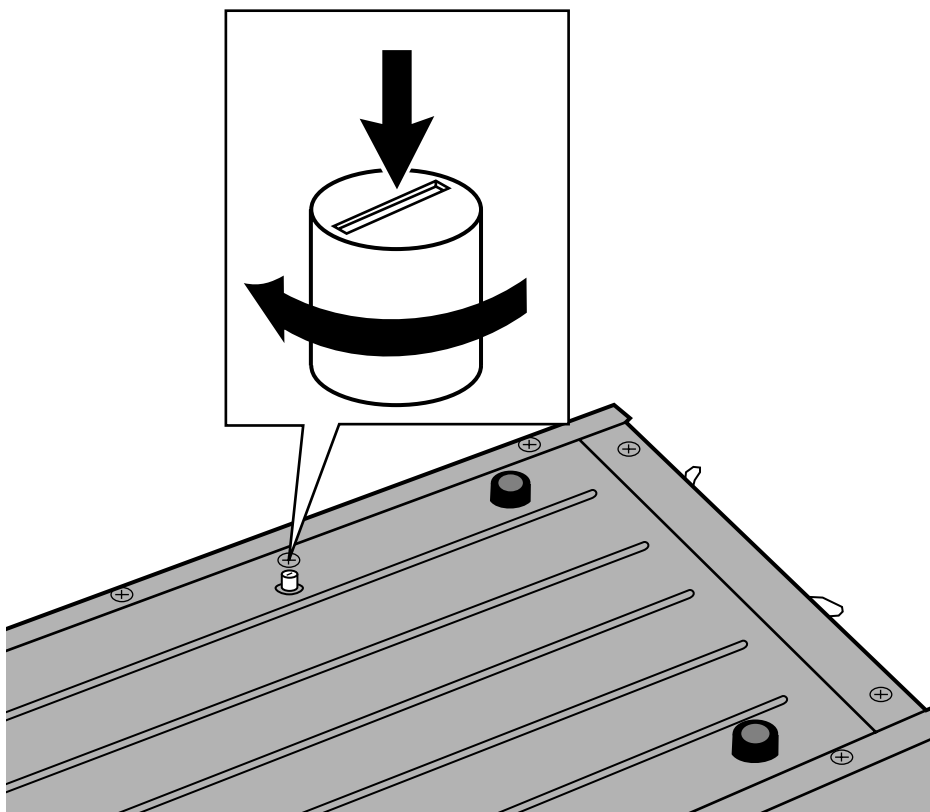


7. Replace the fluorescent lamp unit cover.

IMPORTANT: BEFORE TRANSPORTING THE SCANNER

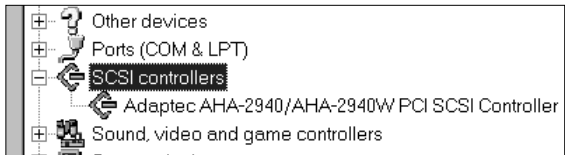
Before transporting the scanner the optics must be parked and locked into place to prevent damage.

1. **With the Dimâge Scan Multi software active (utility, TWAIN driver, or plug-in):**
Windows: press Ctrl + Shift + L.
Macintosh: press Command + Shift + L.
2. **The message informing you the optics will be moved will appear. Click on OK.**
3. **After the optics have been moved, a message will appear asking you to turn the scanner off. Click on OK.**
 - The utility software will quit.
4. **Turn off the computer.**
5. **Turn off the scanner and other SCSI devices.**
6. **Gently turn the scanner up-side down. Using a flat-head screwdriver, push down and turn the locking pin clockwise until it locks down.**



- Once the optics have been moved to the locking position through the software, the scanner must perform the set-up operation to return to normal. The scanner automatically performs set-up when it is first turned on. Set-up can also be initiated by pressing the following keys simultaneously while the software is active:
Windows95/NT: Control + Shift + i
Macintosh: Command + Shift + i

TROUBLESHOOTING

Symptom	Cause/Action	Reference
The computer will not start after connecting the scanner.	<p>Check that all the SCSI cables are secure.</p> <p>Check that two SCSI devices are not sharing the same address.</p>	Page 8
The computer does not recognize the scanner.	<p>Was the scanner turned on before the computer was turned on?</p> <p>Check that all the SCSI cables are secure.</p> <p>Windows 95/NT: Check that the SCSI device driver been installed correctly.</p> <ol style="list-style-type: none"> 1. Select Start ' Settings ' Control Panel. • The Control Panel window will appear. 2. Double-click on the System Icon, then click on the Device Manager tab. 3. Click on the plus (+) next to "SCSI controllers". • A sub-menu of SCSI controllers should appear. 4. Confirm the appropriate SCSI Controller for your board is listed in the sub-menu. 	
The scanner does not pull in the film holder when loading	<p>Eject, then reinsert the holder.</p> <p>The film holder must be inserted to the ◀ marks for it to be engaged by the scanner's motor</p>	
The scanned image is very green or blown-out white when using the Medium-format holder.	The mask does not fit the image properly. Be sure to use a proper fitting mask that is not too big for the image. There should be no uncovered space between the film and the mask.	Pages 18 -21.
The indicator lamp glows red.	<p>If using a film holder:</p> <p style="padding-left: 40px;">The accessory panel is open. Close the accessory panel.</p> <p>If using the APS adapter:</p> <p style="padding-left: 40px;">The accessory panel is not fully open. Open it all the way and push it until it clicks.</p>	Page 26.

TROUBLESHOOTING

Symptom	Cause/Action	Reference
<p>The indicator lamp is red and blinks rapidly or The scanned image is black.</p>	<ol style="list-style-type: none"> 1. Turn off the computer, then the scanner. Check that the fluorescent lamp cover is closed. 2. Turn on the scanner. If the fluorescent lamp does not glow, replace the lamp. 3. If the cover was closed, the fluorescent lamp works, and the red lamp continues to blink rapidly, there is a hardware problem. Turn off and unplug the scanner, then call a Minolta Service Facility. 	<p style="text-align: center;">Page 28.</p>
<p>The scanned image color is strange.</p>	<p>Check that there is no dust on the film or film holder.</p> <p>Check that the color palette (START – SETTINGS – CONTROL PANEL – DISPLAY – SETTINGS) is on High Color (16 bit) or higher. Different or additional steps may be necessary depending on your graphics board. Refer to your graphics board's documentation.</p> <p>If using the Medium-format holder, be sure to use a proper fitting mask. If the holder is dirty, clean it as directed.</p> <p>Reinitialize the scanner.</p> <p>Windows 95/NT: Press Control, Shift, and i keys simultaneously.</p> <p>Macintosh: Press Command, Shift, and i keys simultaneously.</p> <p>Reinitializing while using the APS adapter:</p> <ol style="list-style-type: none"> 1. Press the initialization key combination. 2. The adapter will eject automatically. 3. Initialization (set-up) will stop. 4. Remove the adapter. 5. Close the accessory panel. <ul style="list-style-type: none"> • Initialization (set-up) will resume. 	

INDICATOR LAMP

The indicator lamp on the front of the scanner reveals the status of the scanner.

Indicator Lamp	Scanner Status
Off	Set up is complete and there is no holder inserted in the scanner.
Green – blinking slowly	Scanner is busy: <ul style="list-style-type: none"> • setting up (initializing). • index scanning, prescanning, or scanning. • autofocus, point AF, manual focus.
Green – blinking quickly	If using a film holder, the scanner is busy: <ul style="list-style-type: none"> • loading the film holder. • transporting the film holder. • ejecting the film holder. If using the APS Adapter, the scanner is busy: <ul style="list-style-type: none"> • rewinding the film in the APS adapter. • transporting the adapter.
Green – glows steadily	There is a film holder in the scanner. The scanner is not busy.
Red – glows steadily	There is a problem with the accessory panel. If using a film holder: The accessory panel is open. Close the accessory panel. If using the APS adapter: The accessory panel is not fully open. Open it all the way and push it until it clicks.
Red – blinks quickly	The fluorescent lamp unit cover is not fully closed. or The fluorescent lamp is burnt out. or There is a hardware malfunction. Contact a Minolta Service facility.

TECHNICAL DETAILS

Type: Film transport, fixed sensor, 1 pass scan film scanner

Usable Film: Medium format film (6x4.5, 6x6, 6x7, 6x9) – positive/negative, color/B&W;
 35mm film - positive/negative, color/B&W;
 Transmission Electron Microscope film – (5.9 x 8.2cm) positive/negative, color/B&W;
 16mm film – positive/negative, color/B&W;
 APS sleeve film – positive/negative, color/B&W
 APS Cassette (with optional adapter) – positive/negative, color;

Scanning Dimensions:

35mm	24.20 x 36.30mm	2688 x 4032 pixels
6 x 4.5	56.16 x 41.76mm	2496 x 1856 pixels
6 x 6	56.16 x 56.16mm	2496 x 2496 pixels
6 x 7	56.16 x 64.80mm	2496 x 2880 pixels
6 x 9	56.16 x 83.52mm	2496 x 3712 pixels
TEM	56.16 x 82.00mm	2496 x 3712 pixels
APS	17.28 x 29.95mm	1920 x 3328 pixels
16mm	13.00 x 19.50mm	2688 x 4032 pixels

Optical Input Resolution: 2820dpi: 35mm, APS, and 16mm film
 1128dpi: Medium format and TEM film

A/D Conversion: 12-bit

Image Sensor: RGB 3-line CCD (2700 pixels)

Continuous Scan Max.: 35mm Sleeved: 6 frames
 35mm Mounted: 4 frames
 APS Cassette (requires optional accessory): 40 frames
 35mm Mounted with optional Slide Feeder: 50 frames

Approximate Scan Times:

		IBM PC/AT	Macintosh OS
35mm Film	Prescan	6 sec. approx.	6 sec. approx.
	Final Scan	42 sec. approx.	44 sec. approx.
Medium Format (6x9)	Prescan	9 sec. approx.	9 sec. approx.
	Final Scan	48 sec. approx.	51 sec. approx.

TESTING CONDITIONS:

IBM PC/AT: CPU: Pentium II 333MHz; RAM: 192MB; OS: Windows 98; Software: TWAIN_32 driver software; Host Application: Adobe Photoshop 4.0.1J; ASPI version: 4.57; SCSI Board: AHA-1520B

Macintosh OS: CPU: PowerPC G3 333MHz; RAM: 256MB; OS: Mac OS 8.1; Host Application: Adobe Photoshop 4.0.1J; Driver Software: Dimage Scan Multi Photoshop Plug-in; Application Memory Allocation: 100MB; Virtual Memory: Off

Interface: SCSI-2

SCSI Ports: D-Sub 25 pin, Centronics 50

Light Source: Hot cathode fluorescent lamp, 3 wavelength, user replaceable.

Power/Frequency: AC 100 – 240V, 50/60Hz

Dimensions: (w)200 x (d)410 x (h)124mm (7.9 x 16.1 x 4.9 in.)

Weight: Approximately 6kg (211.8 oz)

Specifications are based on the latest information available at the time of printing and are subject to change without notice.

Please contact your dealer regarding installation, SCSI interface recommendations, or application compatibility. If your dealer is unable to help you, contact us toll free.

Technical Support
1-800-808-4888
Monday – Friday 8:30-5:00 (EST)
Minolta Corporation
101 Williams Dr.
Ramsey, NJ 07446
(201) 825-4000i
<http://www.minolta.com>
<http://www.minolta.de/europe>

Please have the following information ready when calling Minolta Technical Support:

Make and model of your computer:

Available application RAM:

Operating system and version:

Other connected SCSI devices and their SCSI ID numbers:

DS Multi software version number:

Symptoms:

Messages that appear on the screen when the problem occurs:

Frequency of occurrence:

To determine the version number of your driver software:

Place the pointer over the Status Bar in the Command window. The version number will be displayed in the status window.

WINDOWS 95/WINDOWS NT

- These installation instructions assume drive D is the CD-ROM drive.

1. Turn on the Dimâge Scan Multi, then turn on your PC.

2. Start Windows 95 or Windows NT.

3. This step varies with your specific operating software...

Windows 95

- The New Hardware Found dialog box will appear.



3. Click on Cancel.

- This dialog box may appear several times. Repeat step 3 until the dialog box no longer appears.

Windows NT

3. Select START – SETTINGS – CONTROL PANEL, then double-click on the SCSI Adapters icon. Confirm that Minolta #2883 appears as a connected device for your SCSI board.

- If Minolta #2883 does not appear, turn the system off and check all the connections. Repeat the procedure.

4. Insert the Dimâge Scan Multi CD-ROM into the CD-ROM drive.

5 From the START button, select RUN...

- The Run dialog box will appear.



Windows 95 Release 2 (OSR2)

- The appearance and/or wording of some dialog boxes may vary.
- The following dialog box will appear.



3a. Click on Next.

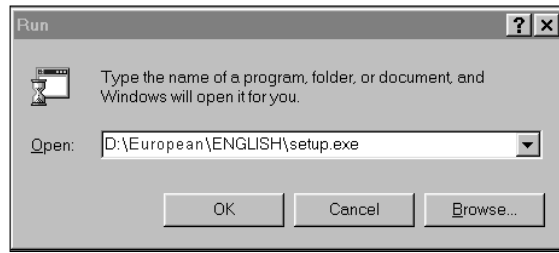
- A similar dialog box will appear.

3b. Click on Finish.

- This dialog box may appear several times. Repeat step 3 until the dialog box no longer appears.

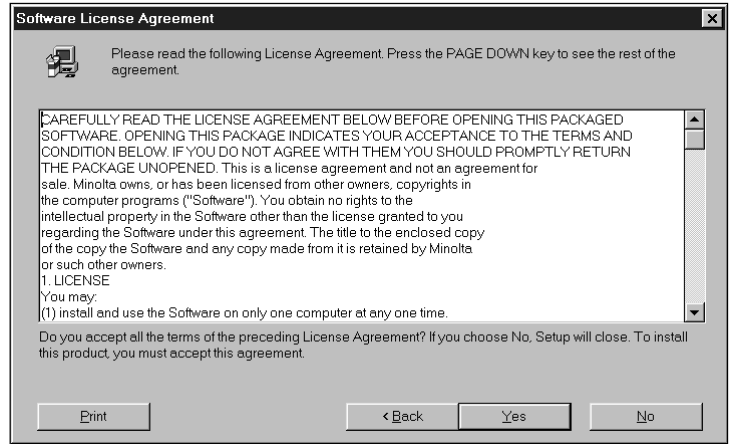
6. Select D:\European\ENGLISH\Setup.exe from the Open drop-down list, then click on OK.

- If your CD-ROM drive is not the D drive, replace the D with the appropriate letter for your CD-ROM drive.
- The Software License Agreement will appear.



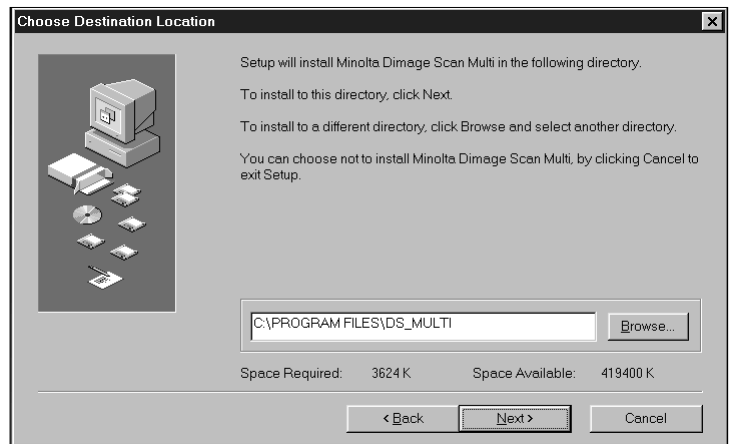
7. After reading the agreement, click on Yes.

- The Choose Destination Location dialog box will appear.



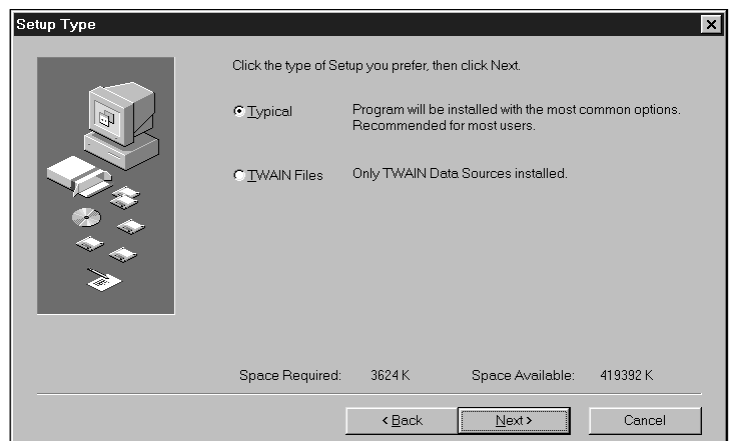
8. To select another destination directory, click on Browse... and select the directory. Click on Next.

- The Setup Type dialog box will appear.



9. Choose either Typical or Twain Files Only install, then click on Next.

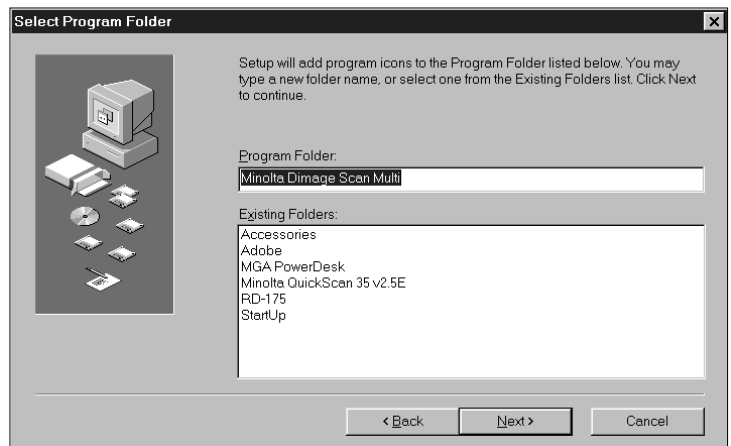
- The Select Program Folder dialog box will appear.



INSTALLING THE SOFTWARE

10. Click on Next.

- Setup will begin.
- When setup is complete a message will appear informing you installation was successful.

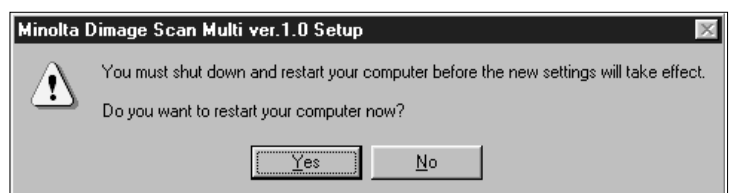


11. Click on Close.

- A message will appear asking if you want to restart the computer.



12. Click on Yes.



The Dimage Scan Multi setup will have placed the following files on your computer:

ds_multi.exe
Readme.txt
Job
twain.dll
twain32.dll
twunk_16.exe
twunk_32.exe
dsm_tw.ini
Dsmulti.hlp
Dsmultij.hlp
ds_multi.dll
dsm_resj.dll
DS_multi.ds

MACINTOSH

1. Insert the Dimâge Scan Multi CD-ROM into the CD-ROM drive.

- The Dimâge Scan Multi CD-ROM icon will appear on the desktop.

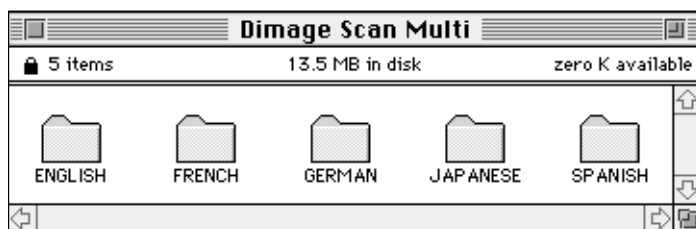
2. Double-click on the Dimâge Scan Multi CD-ROM icon.

- The language folders will appear.



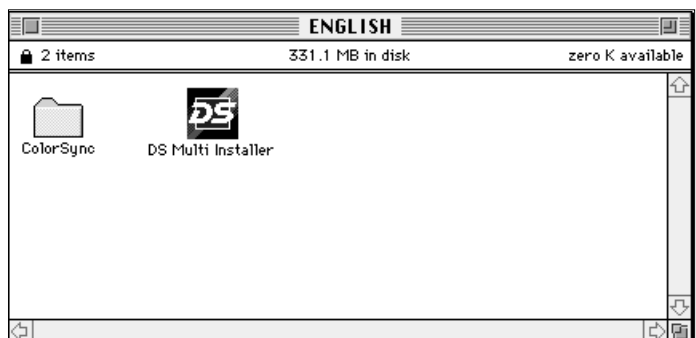
3. Double-click on the European/English language folder.

- The Dimâge Scan Multi Installer icon will appear.



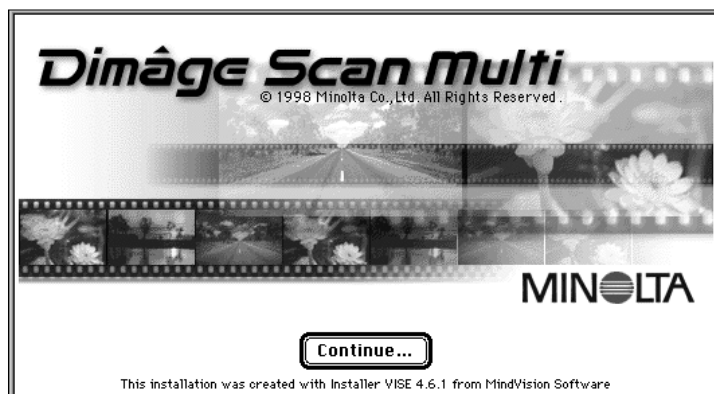
4. Double-click on the Dimâge Scan Multi Installer icon.

- The installer screen will appear.



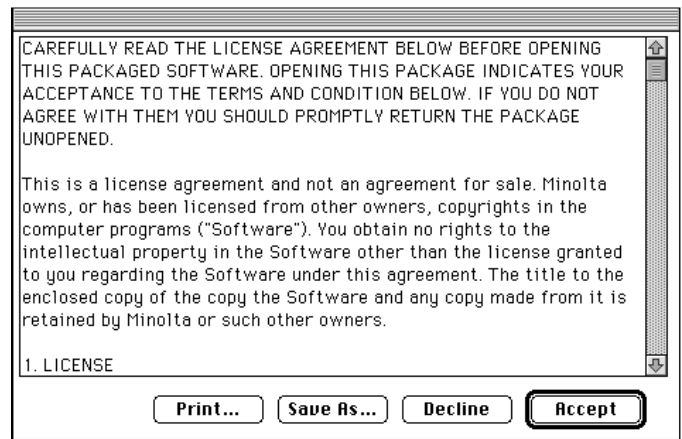
5. Click on Continue...

- The User License Agreement will appear.



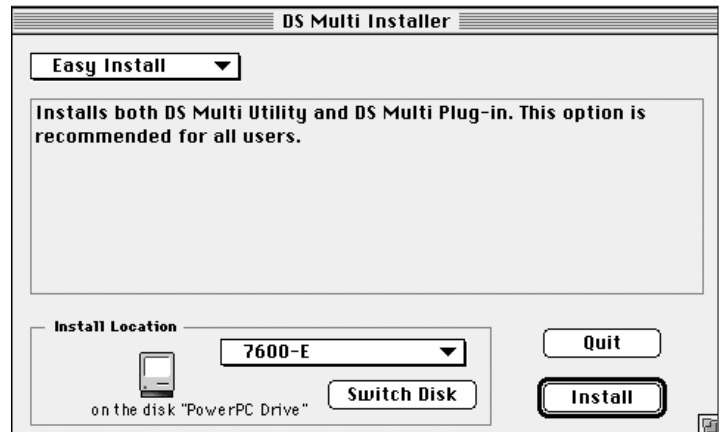
6. Click on Accept.

- The Dimâge Scan Multi Installer will appear.



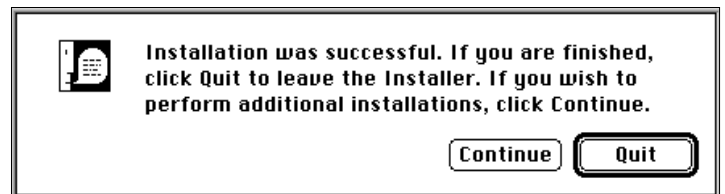
7. Choose the Install Type and confirm the Install Location of the software, then click on Install.

- Installation will begin. When installation is complete, a message will appear informing you installation was successful.



8. Click on Quit.

- The software will be installed in a new folder titled Dimâge Scan Multi.
- If Easy Install was chosen, the Dimâge Scan Multi folder will contain the following items: the DS Multi Utility, DS Multi Plug-in, and Read Me file.



MACINTOSH – PLUG-IN

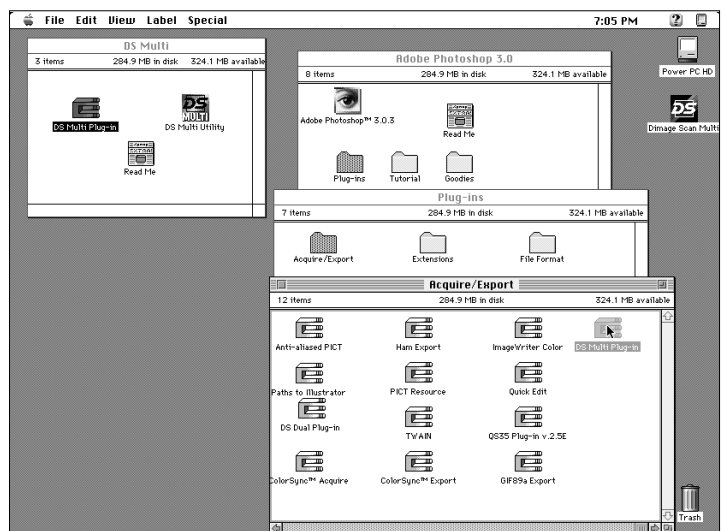
Once the installation procedure is complete, move the DS Multi Plug-in from the Dimâge Scan Multi folder to the appropriate folder for the host application.

Adobe Photoshop 3.0.5

- Open Photoshop's Plug-ins folder then drag and drop the DS Multi Plug-in into the Plug-ins' Acquire/Export folder.

Adobe Photoshop 4.0.1

- Open Photoshop's Plug-ins folder then drag and drop the DS Multi Plug-in into the Plug-ins' Import/Export folder.



ColorSync helps your colour devices (monitor, scanner, printer etc.) match their colours. This makes it faster and easier to obtain the correct colours in the final image.

The Dimâge Scan Multi driver software is compatible with ColorSync 2.0, which is included with the software. If ColorSync 1.0 is already installed on your computer, please remove it before installing ColorSync 2.0.

Removing ColorSync 1.0:

To remove ColorSync 1.0 from your system, drag the following items into the trash:

ColorSync™ system extension from the Extensions folder.

ColorSync™ System Profile control panel from the Control Panels folder.

ColorSync™ Profiles folder from the Preferences folder.

Installing ColorSync 2.0

The included ColorSync software can be installed directly from the Dimâge Scan Multi CD-ROM

- For Mac OS 7.5 and 7.5.2 or later, follow steps 1, 2, 6, and 7 only.
- If using Adobe Photoshop 4.0 or higher in any Mac OS, do not perform step 7.

1. Insert the Dimâge Scan Multi CD-ROM into the CD-ROM drive, then double click on the Dimâge Scan Multi icon.

- The language folders will appear.

2. Double-click on the English folder to open it, then double click on the ColorSync folder.

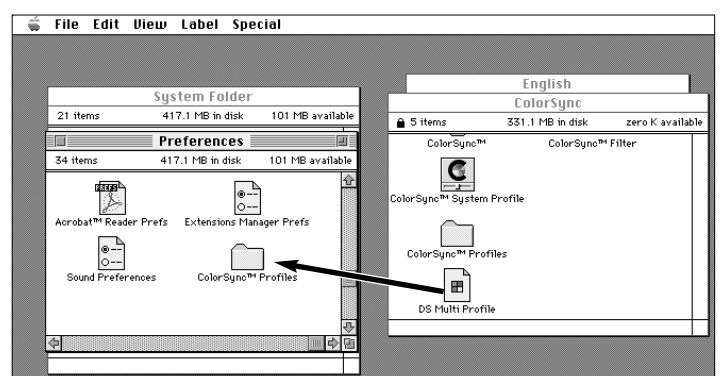
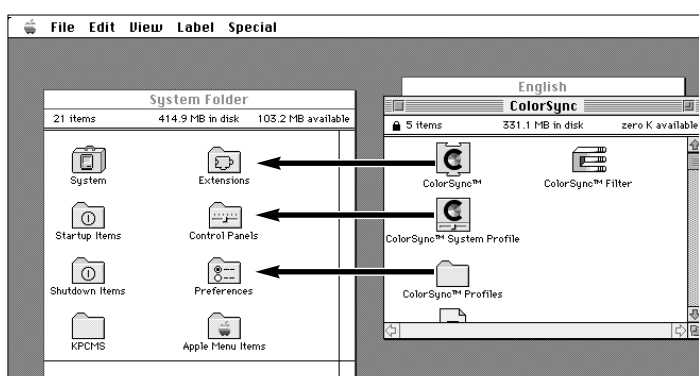
3. Drag the ColorSync™ system extension to the Extensions folder.

4. Drag the ColorSync™ System Profile to the Control Panels folder.

5. Drag the ColorSync™ System Profiles folder to the Preferences folder.

6. Drag the DS Multi Profiles into the ColorSync™ System Profile folder now in the Preferences folder.

7. Drag the ColorSync filter to Adobe Photoshop's Filters folder located inside the Plug-ins folder.



LAUNCHING THE SOFTWARE – WINDOWS

The utility software is a stand alone application used to control the scanner. The TWAIN driver lets you control the software through another application, such as your image editing software.

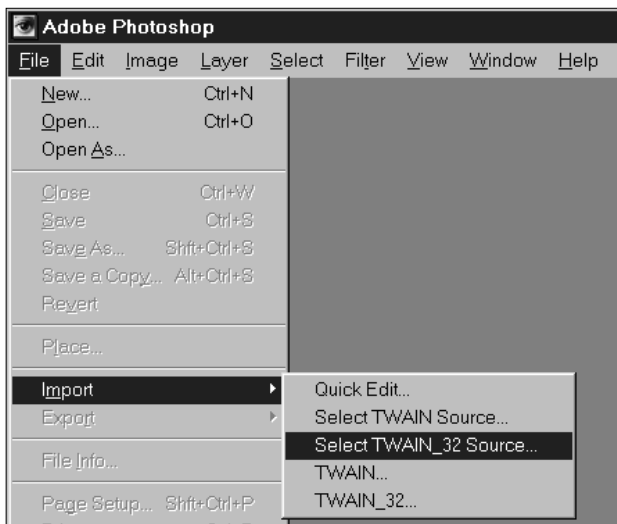
LAUNCHING THE TWAIN DRIVER

This uses Adobe Photoshop 4.0.1 as the example. Commands may vary among applications.

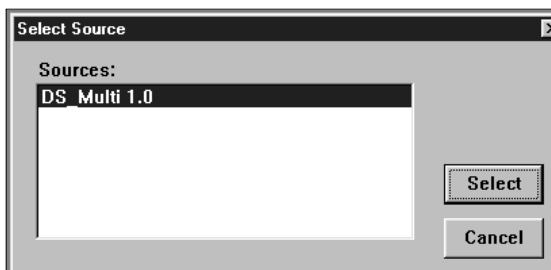
1. Open the host application.

2. Select File – Import – Select TWAIN_32 Source...

- The Select Source dialog box appears.

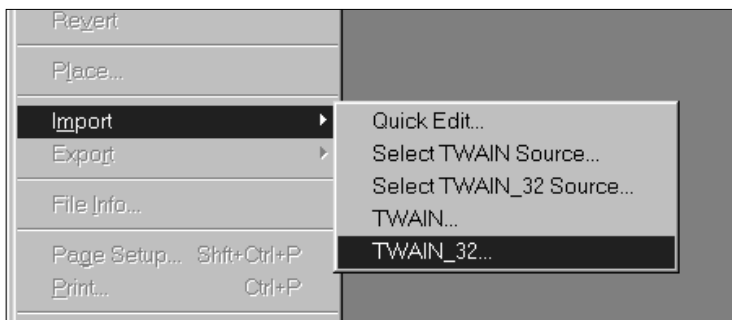


3. Select DS_Multi 1.0, then click on Select.



4. Select File – Import – TWAIN_32.

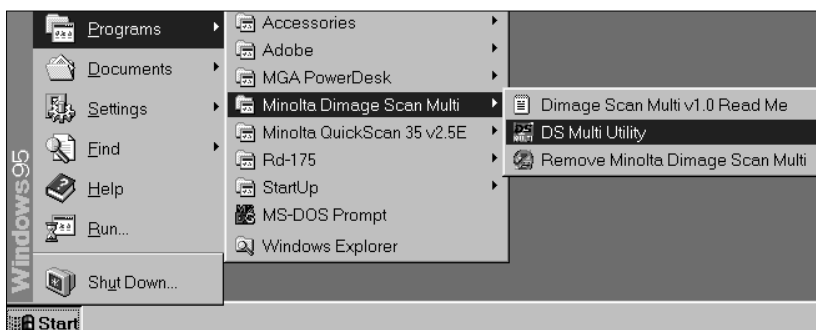
- The start-up screen will briefly appear. The software is ready for use when the Command window appears.



LAUNCHING THE UTILITY SOFTWARE

Select Start – Programs – Minolta Dimâge Scan Multi ‘ DS Multi Utility.

- The start-up screen will briefly appear. The software is ready for use when the Command window appears.



LAUNCHING THE SOFTWARE – MACINTOSH

The utility software is a stand alone application used to control the scanner. The plug in lets you control the software through Adobe Photoshop.

LAUNCHING THE PLUG-IN

1. Launch Adobe Photoshop.

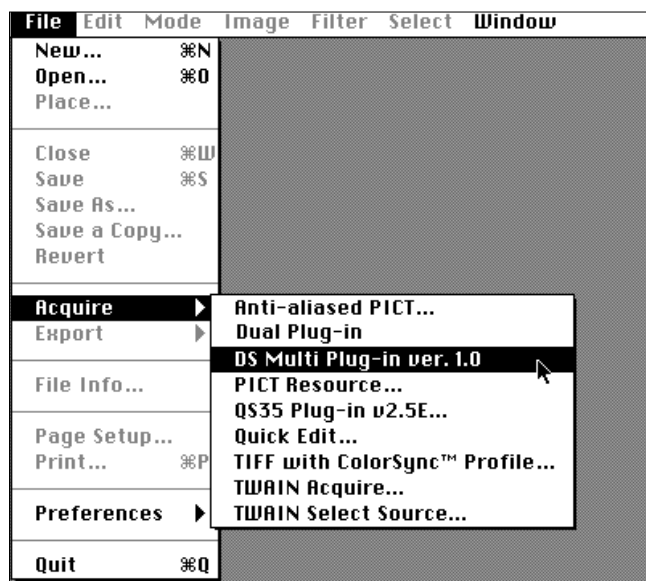
2. Photoshop 3.0.5:

- Select File – Acquire – DS Multi plug-in ver. 1.0.

Photoshop 4.0.1:

- Select File – Import – DS Multi plug-in ver. 1.0.

3. The start-up screen will briefly appear. The software is ready for use when the Command window appears.



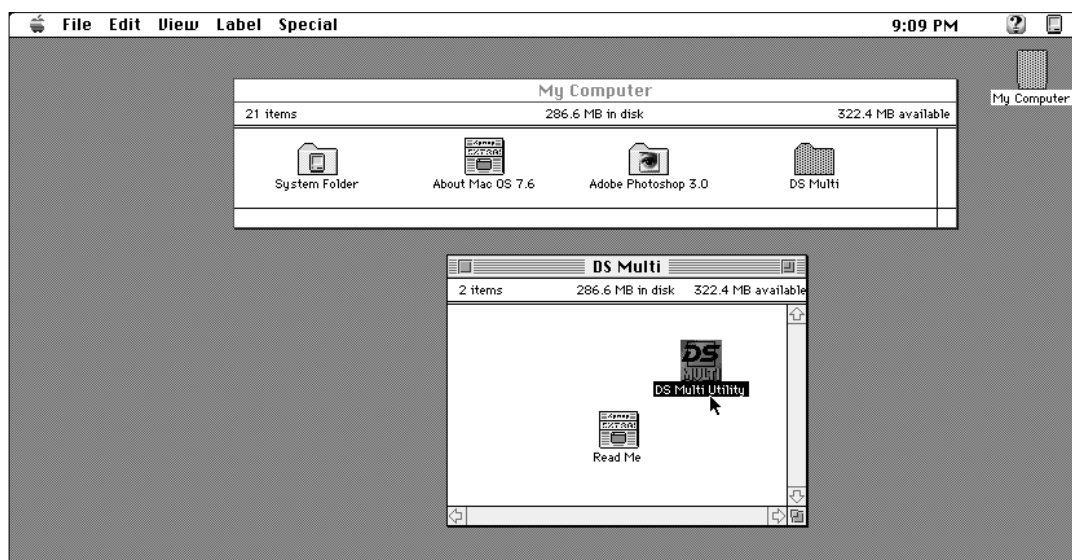
LAUNCHING THE UTILITY SOFTWARE

1. Open the DS Multi folder.

- This folder will be in the location selected during installation.

2. Double click on the DS Multi Utility icon.

- The start-up screen will briefly appear. The software is ready for use when the Command window appears.



A	Minolta Austria Ges.m.b.H Amalienstr. 59-61, A-1131 Wien, Österreich Tel: 01 87868 176 Fax: 01 87868 153	http://www.minoltaeurope.com
B	Minolta Belgium Branch Kontichsesteenweg 38, B-2630 Aartselaar, Belgique Tel: 03 877 04 30 Fax: 03 877 00 49	http://www.minolta.be
CAN	Minolta Canada Inc., Head office 369 Britannia Road East, Missussauga, Ontario L4Z 2H5, Canada Tel. 0905 890 66 00 Fax: 0905 890 71 99	http://www.minolta.com
CH	Minolta (Schweiz) AG Riedstr. 6, CH-8953 Dietikon, Schweiz Tel: 157 57 11 (sFr 2.15/min) Fax: 01 741 33 12	http://www.minolta.ch
D	Minolta GmbH Kurt-Fischer-Str. 50, D-22923 Ahrensburg, Deutschland Tel: 0221 93 76 71 50 Fax: 0221 93 76 71 77 Mo – Fr, 10.00 – 19.00	http://www.minolta.de
DK	Paul Westheimer A/S Erhvervsvej 30, DK-2610 Rødovre, Danmark Tel: 44 85 34 00 Fax: 44 85 34 01	http://www.minoltaeurope.com
E	Videosonic S.A. c/Valportillo II, 8, Pol. Ind. de Alcobendas, E-28108 Alcobendas/Madrid, Spain Tel: 91 4840077 Fax: 91 4840079	http://www.minoltaeurope.com
F	Minolta France S. A. 365, Route de Saint-Germain, F-78420 Carrières-Sur-Seine, France Tel: 0130 86 62 02 Fax: 0130 86 62 82	http://www.minolta.fr
FIN	Minolta Finland Branch Niittykatu 6, PL 37 SF-02201 Espoo, Finland Tel: 09 423 499 Fax: 09 423 116	http://www.minolta.fi
GB	Minolta (UK) LTD. Photographic Division Precedent Drive, Rooksley, Milton Keynes, MK13 8HF, England Tel: 01 908 208 349 Fax: 01 908 208 334	http://www.minoltaeurope.com
IRL	Photopak Sales 241 Western Industrial Estate, Naas Road, Dublin 12, Ireland Tel: 01 45 66 400 Fax: 01 45 00 452	http://www.minoltaeurope.com
I	Rossi & C. S.p.A. Via Ticino, 40 , I-50019 Osmannoro Sesto Fiorentino (Fi), Italy Tel: 055 323141 Fax: 055 32314252	http://www.minoltafoto.it
N	Scandiafilm AS Enebakkveien 304, N-1188 Oslo 11, Norge Tel: 022 28 00 00 Fax: 022 28 17 42	http://www.minoltaeurope.com
NL	Minolta Camera Benelux B. V. Zonnebaan 39, P. O. Box 6000, NL-3600 HA, Maarssen, Nederland Tel: 030 241 14 11 Fax: 030 241 41 65	http://www.minolta.nl
P	Minolta Portugal Lda Av. do Brasil 33-a, P-1700 Lisboa, Portugal Tel: 01 793 00 16 Fax: 01 793 10 64	http://www.minoltaeurope.com
S	Minolta Svenska AB P. O. Box 9058, Albygatan 114, S-17109 Solna, Sverige Tel: 08 627 76 50 Fax: 08 627 76 21	http://www.minoltaeurope.com
Sin	Minolta Singapore (Pte) Limited 10 Teban Gardens Crescent, Singapore 2260 Tel: 56 35 533 Fax: 56 10 217	http://www.minolta.com

