

Founded in 1939, Pilatus Aircraft Ltd is the only Swiss company to develop, produce and sell aircraft to customers around the world: from the legendary Pilatus Porter PC-6 to the best-selling PC-12, a single-engine turboprop, and the PC-21, the training system of the future. Pilatus' newest aircraft is the PC-24 – the world's first ever business jet that can be operated from short unprepared runways. Domiciled in Stans, the company is certified to ISO 14001 in recognition of its efforts for the environment. The Pilatus Group includes two independent subsidiaries in Broomfield (Colorado, USA) and Adelaide (Australia) as well as a joint venture company in Chongqing (China). With over 1800 employees at its headquarters, Pilatus is one of the largest employers in Central Switzerland. Pilatus provides training for over 110 apprentices in eleven different professions – job training for young people has always been a very high priority at Pilatus.

STA1016E

 **Crafted in Switzerland**

## THE SUPER VERSATILE JET



**PC-24**  
THE CRYSTAL CLASS



**Pilatus Aircraft Ltd**

P.O. Box 992  
6371 Stans, Switzerland  
Phone +41 41 619 61 11  
info@pilatus-aircraft.com

**Pilatus Business Aircraft Ltd**

Rocky Mountain Metropolitan Airport  
11755 Airport Way  
Broomfield, CO 80021, USA  
Phone +1 800 745 2887  
info@pilbal.com

**Pilatus Australia Pty Ltd**

17 James Schofield Drive  
Adelaide Airport SA 5950, Australia  
Phone +61 8 8234 4433  
info@pilatus.com.au

[www.pilatus-aircraft.com](http://www.pilatus-aircraft.com)

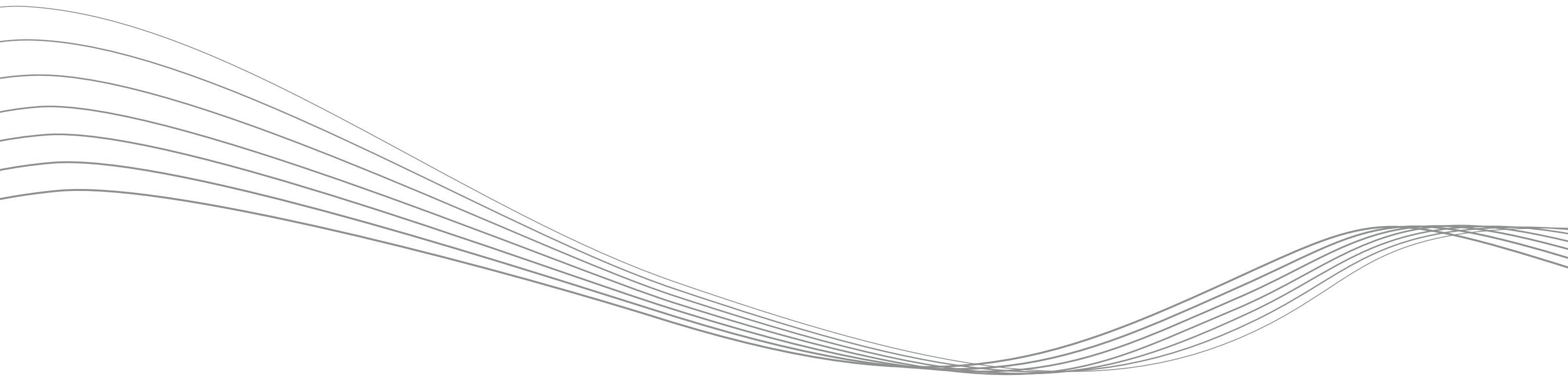
 **PILATUS**

 **PILATUS**

YOUR OWN PILATUS JET



**PC-24**  
THE CRYSTAL CLASS





---

A CLASS OF ITS OWN  
7

---

WELCOME ON BOARD  
14

---

AVIONICS AND POWERPLANT  
24

---

CUSTOMER SUPPORT  
32

---

SWISS CRAFTSMANSHIP  
34

---

WHY OWN A PC-24?  
38

---

FACTS AND FIGURES  
40

---

CONTACT US  
50



## A CLASS OF ITS OWN

# THE CRYSTAL CLASS

People become enchanted when they experience something as unique and out of reach as a Swiss mountain crystal.

Its elegance expresses something words cannot describe. The diverse and unmistakable shape of the crystal has always fascinated. Perhaps it's the hardness that conveys a sense of durability. Or because it is created deep within the mountain, emerging only after a long and arduous journey. Or maybe it's because the details of its origin and formation will forever remain a secret. Either way, one thing is for sure: its beauty sparks the imagination.

For some, Swiss mountain crystals are a symbol of strength and power. For others, their countless facets make them a symbol of variety and uniqueness.

Crystal seekers from the Swiss Alps – called “Strahler” – discover the crystals only after tremendous effort and endurance. Working high in the mountains, they must withstand every type of weather and bear any temperature before they can hold a crystal in their hands.

Our latest aircraft is just as versatile, powerful, and extraordinary as a Swiss mountain crystal: the Pilatus PC-24.

A CLASS OF ITS OWN

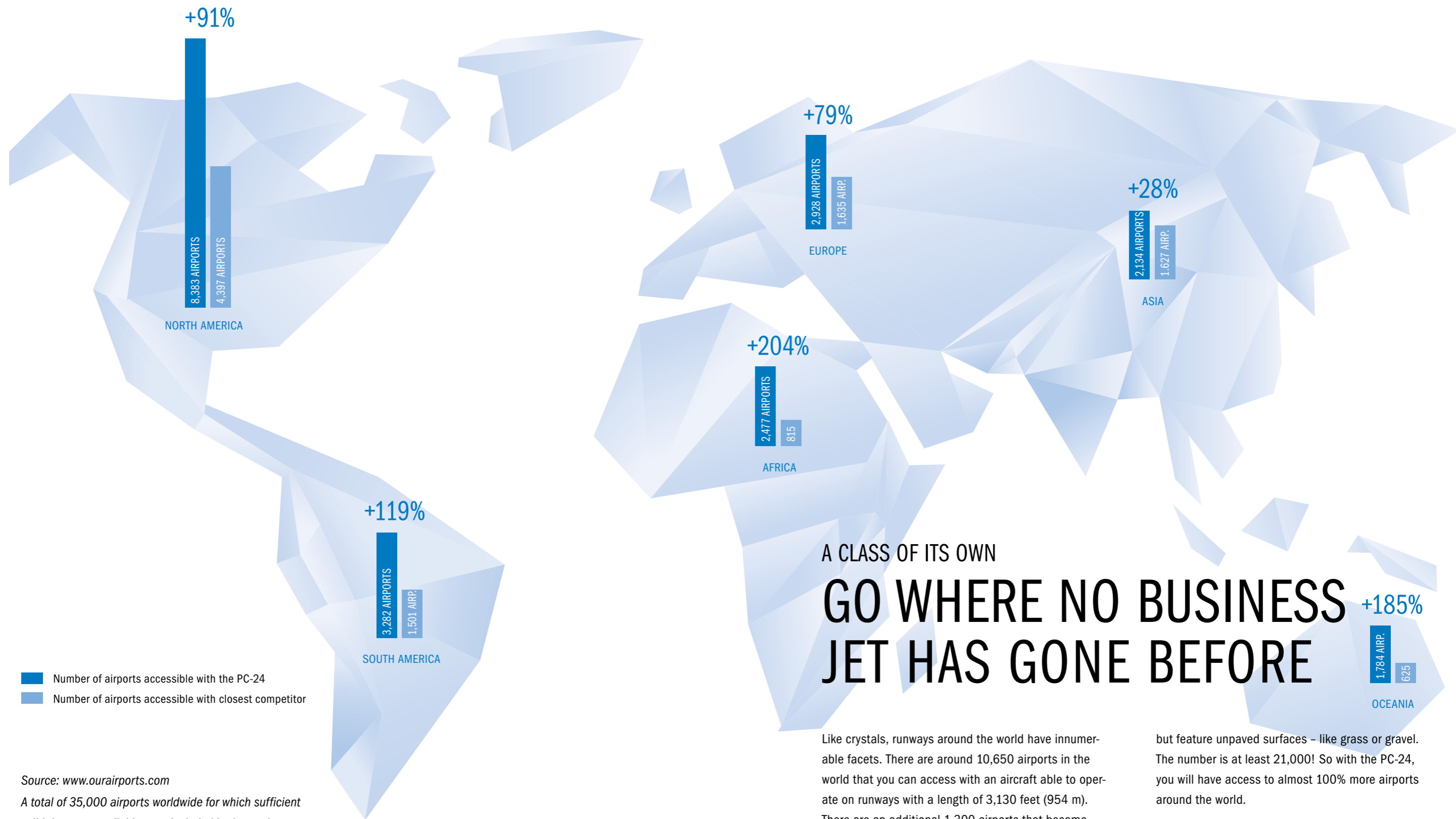
# THE WORLD'S FIRST AND ONLY SVJ

Every crystal found in the mountains of Switzerland is entirely unique. Just as unique is the PC-24, the only aircraft combining the versatility of a turboprop with the cabin size of a medium-light jet, and the performance of a light jet.

It's a plane that simply doesn't fit into any of the existing business jet categories. That's why we had to create a new one: the Super Versatile Jet category.

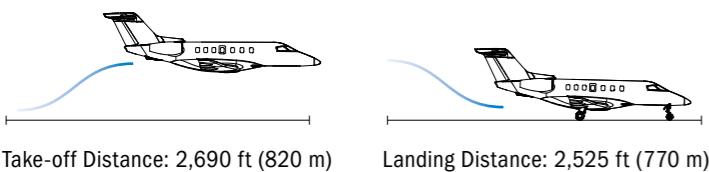
Pilatus is proud to present the world's first and only Super Versatile Jet: the Pilatus PC-24.





■ Number of airports accessible with the PC-24  
■ Number of airports accessible with closest competitor

Source: [www.ourairports.com](http://www.ourairports.com)  
 A total of 35,000 airports worldwide for which sufficient valid data was available were included in the study.



A CLASS OF ITS OWN

# GO WHERE NO BUSINESS JET HAS GONE BEFORE

Like crystals, runways around the world have innumerable facets. There are around 10,650 airports in the world that you can access with an aircraft able to operate on runways with a length of 3,130 feet (954 m). There are an additional 1,300 airports that become available when your aircraft needs only 2,690 feet (820 m). Of course, in both cases these runways will have to be paved.

Now let's look at the number of runways around the world that offer a length of at least 2,690 feet (820 m)

but feature unpaved surfaces – like grass or gravel. The number is at least 21,000! So with the PC-24, you will have access to almost 100% more airports around the world.

That means you can fly closer to your final destination than with any other business jet. You'll be able to use smaller airports and avoid massive administrative procedures, and reduce ground transfer time to an absolute minimum.



A CLASS OF ITS OWN

# AT HOME ON RUNWAYS EVEN WHERE THERE ISN'T ONE

“No one will ever operate a multi-million-dollar aircraft on dirt strips.” Oh yes, we’ve heard that one over the years. In the meantime, a growing fleet of over 1,400 PC-12s has proven that statement false. This fleet has accumulated over 5 million flight hours, including countless take-offs and landings in locations where “dirt strip” is a generous description of the available ground infrastructure. We listened carefully to the feedback

of PC-12 owners operating under challenging conditions, and everything we learned from their previous experiences is now woven into the DNA of the PC-24. Its outstanding short-field performance opens up an incredible level of mobility. PC-12 owners know why rough and short-field capability is such an advantage. And soon PC-24 owners will know it too.



WELCOME ON BOARD

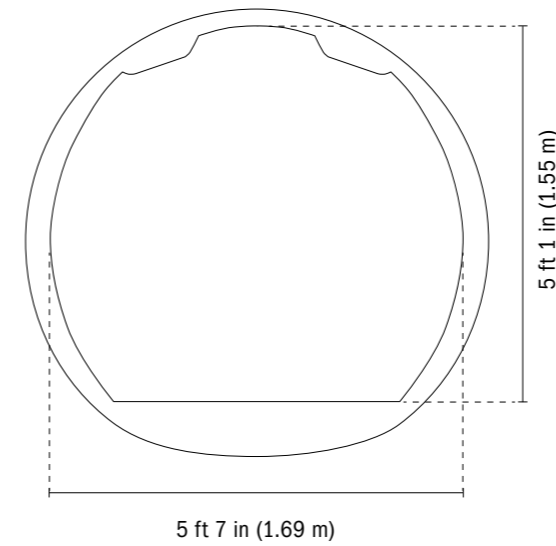
# GREAT MINDS NEED PLENTY OF HEADROOM

The PC-24's cabin volume tops business jets costing almost twice as much. But while offering space is one thing, making intelligent use of it is quite another.

The interior of the PC-24 has been designed from the outset for quick and easy reconfiguration – an option not found in many other business jets. Each passenger seat features quick-change capability enabling its addition or removal in just a few minutes. The aft partition

is movable so you can easily enlarge the passenger cabin or increase the baggage compartment volume for each and every flight. The PC-24 features a fully enclosed, externally serviceable private lavatory that is highly discreet and seamlessly integrated into the forward area of the cabin. Being a Super Versatile Jet, the PC-24 will find popularity in a number of other roles – like cargo, medevac, commuter, or governmental special-mission applications, just to name a few.





WELCOME ON BOARD

# LIKE A PENTHOUSE ON THE 5,000<sup>TH</sup> FLOOR

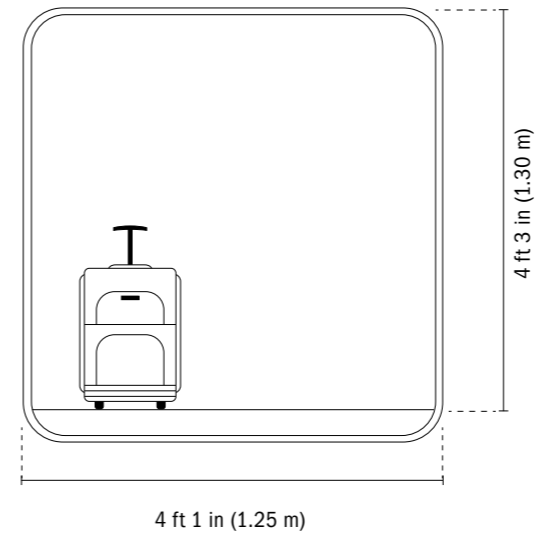
The PC-24 saves you time by bringing you closer to where you want to be. And you won't have to make any compromises on your way.

Long before settling into your seat, you'll find yourself impressed by the generous space and striking elegance of the PC-24's cabin. Ergonomics and comfort are both at premium levels.

Only the finest-quality materials have been used to create an interior that fits in perfectly with the latest standards of comfort and functionality.

Every component is chosen to enhance the passenger experience: soft leathers and rare hardwood cabinetry full of exquisite details create a bespoke interior that reflects the meticulous purpose of the aircraft.

Thirteen extra large cabin windows flood the interior of the PC-24 with bright, natural light. The generously sized cabin, with its continuous flat floor, allows for an exceptional amount of headroom for both passengers and crew. It's not first class traveling - it's Crystal Class.



WELCOME ON BOARD

# A JET SO PRIVATE, EVEN THE BAGGAGE HAS ITS OWN DOOR

Every iconic product incorporates at least one hallmark feature that dramatically differentiates it from the competition. Introducing the world's first business jet with a standard pallet-sized cargo door. Its dimensions are simply outstanding, and its advantages are equally impressive. It's how a business jet becomes a Super Versatile Jet.

Whether you're carrying spare parts or baggage for all your passengers, loading even the bulkiest of items has never been easier.

Some of our PC-12 customers have been known to take their motorbike with them. Now they can do that at jet speed.

The image shows the interior of a private jet cabin. The seats are upholstered in light-colored leather with a subtle geometric logo embossed on the backrest. A dark brown pillow with the same logo is placed on each seat. In the aisle, several silver hard-shell suitcases are stacked. The cabin features recessed lighting in the ceiling and a clean, modern design.

WELCOME ON BOARD

# ENOUGH SPACE FOR YOUR BAGGAGE AND YOUR MATES'

The biggest door is useless when there is no space behind it. That's why we've designed the PC-24 so that there is ample space behind the cargo door. The volume of the baggage compartment surpasses what is available on aircraft costing millions more to buy and operate. Or if you'd prefer to travel light and would like more room for you and your fellow passengers, simply move the aft

partition back. You'll enjoy even more space to stretch out, and still have plenty of baggage space.

And on top of all that, your valuable belongings will always be carried in a heated and fully pressurized cabin section, which is accessible at any time during the flight.

# IMPRESSIVE ON PAPER – REMARKABLE IN THE AIR



- Operate with a balanced field length as short as 2,690 feet (820 m)
  - Take off and land on paved and unpaved runways
  - Stretch out in the spacious cabin with a continuous flat floor
  - Create exactly the right amount of space with multiple quick-change interior configurations
  - Load quickly and easily with a standard pallet-sized cargo door
  - Keep everything close by in the in-cabin baggage compartment
  - Enjoy superior versatility
- How many more reasons do you need?



# AVIONICS AND POWERPLANT DESIGNED FOR 45,000 FEET AND TWO HANDS

All Pilatus aircraft are certified for single-pilot operation. And the PC-24 is no exception to this rule.

The cockpit layout is efficient and intuitive. From the comfort of his seat, the pilot finds an environment that has been designed specifically to reduce workload and improve safety while providing full situational awareness

under all circumstances. Simply put, the PC-24 is the perfect combination of single-pilot operational know-how, and state-of-the-art avionics technology.

And of course the PC-24 can also be flown by two pilots.



## AVIONICS AND POWERPLANT

# FIRST FASTEN YOUR EXCITEMENT THEN YOUR SEATBELT

The PC-24's Advanced Cockpit Environment (ACE™) sets the standard for high-tech simplicity.

Pilatus ACE™ is so capable and offers such a wealth of functionality that in its most basic configuration it boasts the most intuitive and user-friendly cockpit concepts ever seen in business aviation.

Four 12-inch screens ensure that all relevant information is displayed in the right place and with no delay.

The Inertial Reference System (IRS) guarantees excellent reliability and accuracy of altitude and navigation data. As standard equipment, the Pilatus ACE™ also includes a Synthetic Vision System, Autothrottle, Graphical Flight Planning, Traffic Collision Avoidance System (TCAS II), and Localizer Performance with Vertical (LPV) guidance capability.



## AVIONICS AND POWERPLANT

# CONSUMPTION, EMISSIONS, NOISE: ALL MINIMIZED

At Pilatus, our legacy of innovative and efficient technology is driven by the world around us. To power the PC-24, we chose the Williams International FJ44-4A, a world-renowned power unit. It delivers ample power to support the PC-24's excellent field performance and enables a direct climb to the PC-24's operational ceiling. But we wouldn't be Pilatus if we simply settled there – we wanted to go further.

Here's another world premiere: the PC-24's unique Quiet Power Mode™ provides quiet, economical energy to power electrical systems – including heating and air-conditioning – independent of any source of ground power.

These innovations offer more operational flexibility and higher fuel efficiency. Or to put it simply: maximum versatility.



Maximum cruise speed: minimum of 425 knots (787 km/h)  
Maximum Range: 6 passengers 1,800 nm (3,300 km)  
4 passengers 1,950 nm (3,610 km)

# BUILT FOR THE YEEEEEEHA!

Just imagine: You've worked so hard for so long, and now it's time for a well-deserved rest. Gather your family and friends together to enjoy a weekend. Carry all their belongings and just take off.

With the PC-24's speed and range, you'll reach all your destinations in a breeze. Its incredibly slow approach speed and sophisticated braking/lift dump system

reduce the landing distance to an absolute minimum, and keep every landing safe. The PC-24's superior runway performance enables you to operate from thousands of airstrips that the competition can only fly over.

That's why we call the PC-24 a Super Versatile Jet: more runways, more space, more possibilities.





**PC-24**  
THE CRYSTAL CLASS  
SUPPORT

CUSTOMER SUPPORT

# AT PILATUS, WE SUCCEED WHEN OUR CUSTOMERS SUCCEED

We've gained a deep understanding of the needs and expectations of our customers. How do we know this? In survey after survey, PC-12 owners and operators rank Pilatus customer service the highest in the industry.

As an owner of an aircraft made by Pilatus, you will receive personal attention through our global service network. Training, spare parts and customer programmes

are just a mouse click or phone call away. In addition, each Pilatus aircraft comes with one of the strongest new-aircraft warranties in the industry.

Pilatus makes every effort to ensure maximum uptime for your aircraft. In short, we worry about the airplane so you don't have to. As you can see, our customer service is more than first class – it's Crystal Class.





SWISS CRAFTSMANSHIP  
**OVER-ENGINEERED –  
AND PROUD OF IT**

Switzerland is known for several things - watches, mountains, cheese, chocolate and, of course, mountain crystals.

To the general public, aircraft aren't on that list. But aviation enthusiasts know that Switzerland is home to a world-famous aircraft innovator.

A team of over 300 highly skilled engineers was tasked with the development of the PC-24, the next great aircraft from Pilatus. True to our heritage, the PC-24 is

brilliant not only in performance and beauty - it's also brilliantly practical. And that's why we've labeled it a Super Versatile Jet.

The numerous components of each aircraft are brought together by experienced technicians who take pride in their work. Every PC-24 that leaves our production line is uniquely tailored to meet the owner's individual needs and requirements.



St. Gotthard, Switzerland | 46°33'33"N | 8°33'42"E

## SWISS CRAFTSMANSHIP

# THE PILATUS STORY

We're not as old as a Swiss mountain crystal, but our history is just as rich. Since 1939, Pilatus has built a reputation for constructing aircraft that excel in demanding conditions without compromising speed, safety or comfort.

The Pilatus Porter PC-6 has been heralded as one of the most extraordinary bush planes ever built. In continuous production since 1959, it's still the world's leading STOL aircraft.

Our military training aircraft, the PC-7 MkII, the PC-9 M, and the PC-21 make up a product family with which thousands of air-force pilots around the world have

earned their wings. The PC-12 is the benchmark for outstanding versatility, performance, reliability and operational flexibility. As such, it is one of the most popular turbine-powered business aircraft on the market today. Over 1,400 aircraft have been delivered so far.

From our proud heritage comes knowledge: the PC-24 embodies all of this experience and represents the pinnacle of over 75 years of precision aircraft manufacturing.



WHY OWN A PC-24?

# TEN REASONS

## 1. MORE AIRPORTS

No other business jet can operate from paved and even unpaved surfaces as short as 2,690 feet (820 m) – this gives you access to more than 21,000 airports worldwide.

## 2. CABIN SPACE

No other business jet offers this much cabin space with an entirely flat floor at this price level in its category. The interior configuration can quickly be adapted to your needs.

## 3. ADVANCED COCKPIT

No other business jet features a more capable standard cockpit environment at this price level.

## 4. CARGO DOOR

No other business jet includes as standard a generous cargo door that makes loading quick and easy.

## 5. BAGGAGE COMPARTMENT

No other business jet in this class features a comparable all-internal, pressurized and in-flight-accessible baggage compartment.

## 6. IMPROVED SAFETY

No other business jet at this price level offers such a combination of high-tech and simplicity that helps improve situational awareness and safety.

## 7. QUIET POWER MODE™

No other business jet has the possibility to cool or heat the aircraft on the ground under its own power with the revolutionary Quiet Power Mode™.

## 8. OPERATIONAL FLEXIBILITY

No other business jet is a Super Versatile Jet giving you the most operational flexibility possible.

## 9. CRYSTAL CLASS SUPPORT

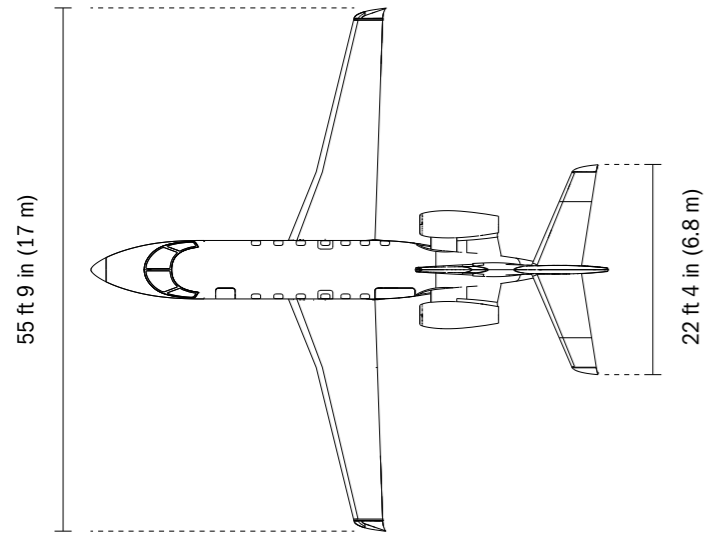
No other business jet offers Crystal Class Support – business aviation's most comprehensive warranty and service package, provided by a global network ranked number 1 in the industry for 15 consecutive years.

## 10. SWISS QUALITY

No other business jet is made in Switzerland by a manufacturer with an unmatched reputation for precision such as ours – we're proud to be called over-engineered.

FACTS AND FIGURES

# DIMENSIONS AND WEIGHTS



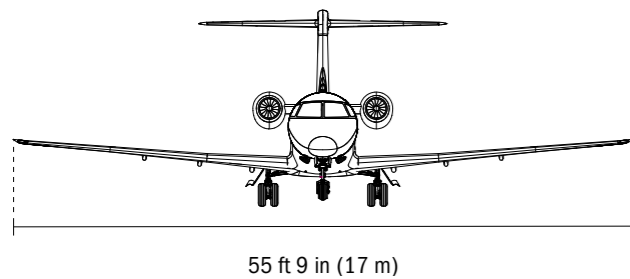
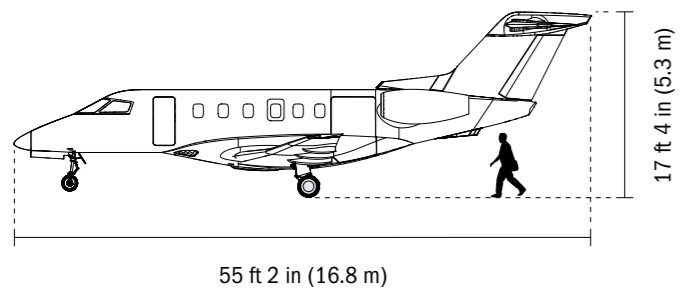
## DIMENSIONS (EXTERIOR)

Wing Span	55 ft 9 in	17.00 m
Length	55 ft 2 in	16.80 m
Height	17 ft 4 in	5.30 m
Horizontal Tail Span	22 ft 4 in	6.80 m

## DIMENSIONS (INTERIOR)

Cabin Length (Cockpit / Cabin Partition to Aft Pressure Bulkhead)	23 ft 0 in	7.01 m
Cabin Width	5 ft 7 in	1.69 m
Cabin Floor Width	3 ft 10 in	1.16 m
Cabin Height (Continuous Flat Floor)	5 ft 1 in	1.55 m
Cabin Volume (Cockpit / Cabin Partition to Aft Pressure Bulkhead)	501 ft <sup>3</sup>	14.20 m <sup>3</sup>
Baggage Compartment Volume (Aft Partition In Fwd Position)	90 ft <sup>3</sup>	2.50 m <sup>3</sup>
Baggage Compartment Volume (Aft Partition In Aft Position)	51 ft <sup>3</sup>	1.40 m <sup>3</sup>

Passenger Door Height	4 ft 5 in	1.34 m
Passenger Door Width	2 ft 0 in	0.60 m
Cargo Door Height	4 ft 3 in	1.30 m
Cargo Door Usable Width	4 ft 1 in	1.25 m



## WEIGHTS

Maximum Ramp	17,750 lb	8,050 kg
Maximum Takeoff	17,650 lb	8,005 kg
Maximum Landing	16,250 lb	7,370 kg
Maximum Zero Fuel	13,450 lb	6,100 kg
Usable Fuel (888.5 U.S. gal)	5,965 lb	2,705 kg
Maximum Payload	2,500 lb	1,135 kg
Maximum Payload With Full Fuel	915 lb	415 kg

## POWERPLANT

Manufacturer	Williams International
Model	FJ44-4A
Max Takeoff Thrust (Per Engine)	3,400 lbf
Automatic Thrust Reserve allowing thrust increase to	3,600 lbf
Engine Control through Dual-Channel FADEC	
Possibility to cool or heat the aircraft on the ground under its own power (Quiet Power Mode™)	
TBO / HSI / Inspection	5,000 / 2,500 / 300 hrs

All PC-24 data is preliminary and subject to change without notice.

FACTS AND FIGURES

# PERFORMANCE

## TAKE-OFF DISTANCE

Balanced Field Length <i>(MTOW, ISA, sea level, dry paved runway)</i>	2,690 ft	820 m
Balanced Field Length <i>(MTOW, ISA+20°C, 5,000ft, dry paved runway)</i>	4,430 ft	1,350 m

## RATE OF CLIMB

Sea Level	4,070 fpm	20.67 m/s
FL 300	1,850 fpm	9.4 m/s
Time to climb Sea Level to FL 450 <i>(direct climb)</i>	30 min	

## CRUISE

Maximum Cruise Speed <i>(FL 300)</i>	Min. 425 KTAS	787 km/h
--------------------------------------	---------------	----------

## PAYLOAD / RANGE

(NBAA IFR reserves of 100 nm  
+ 30 min VFR, LRC, Single Pilot Ops)

Max Payload <i>(2,500 lb)</i>	1,190 nm	2,200 km
6 passengers <i>(1,200 lb payload)</i>	1,800 nm	3,330 km
4 passengers <i>(800 lb payload)</i>	1,950 nm	3,610 km

## ALTITUDE

Max Certified Altitude	45,000 ft	13,716m
Max Altitude		
Single Engine Operation	26,000 ft	7,925 m

## LANDING DISTANCE

Over 50 ft obstacle	2,525 ft	770 m
---------------------	----------	-------

*(MLW, ISA, sea level, dry paved runway)*

## STALL SPEED

Landing configuration	81 KIAS	150 km/h
-----------------------	---------	----------

*(MLW, ISA, sea level)*

## WING AREA AND LOADING

Wing Area	332.6 ft <sup>2</sup>	30.91 m <sup>2</sup>
Wing Loading	53 lb /ft <sup>2</sup>	259 kg /m <sup>2</sup>

*All PC-24 data is preliminary and subject to change without notice.*

FACTS AND FIGURES

# AVIONICS AND MISCELLANEOUS

## PILATUS ACE™ AVIONICS SYSTEM

ACE™ stands for “Advanced Cockpit Environment” System specifically developed for the Pilatus PC-24

Key Features:

- 4 screen layout with 12 in screens
- 1 x IRS / 1 x AHRS
- SmartView™ Synthetic Vision System
- TCAS II, Graphical Flight Planning, Autothrottle and LPV are all part of Standard Equipment
- Optional Equipment will include Enhanced Vision System and RNP < 0.3 capability

Systems management providing control and monitor functions ON/OFF switching of systems through Electronic Power Distribution Units *(EPDU)*  
Display of system status and synoptics

## PRESSURIZATION

(8.78 PSI cabin pressure differential)	
Cabin Altitude at 23,500 ft <i>(7,163 m)</i>	Sea Level
Cabin Altitude at 45,000 ft <i>(13,716 m)</i>	8,000 ft 2,438 m

## KINDS OF OPERATIONS

VFR/IFR Day/Night  
Private *(FAR Part 91, EASA Part-NCC)* and  
Commercial *(FAR Part 135, EASA Part-CAT)* Operations  
Flight Into Known Icing Conditions  
Single and Dual Pilot Operations  
Operations from paved and unpaved surfaces

## MISCELLANEOUS

Airframe Maintenance Schedule	600 hrs/Annual
Design Service Life	30,000 hrs/30,000 landings
Certification	EASA CS 23; FAA FAR 23, Commuter Category

Dual Wheel Main Landing Gear; Low Pressure Tires *(72 psi)*  
Single-point Pressure Refueling Port

## PROGRAM MILESTONES

Roll-out	1 August 2014
First Flight	11 May 2015
EASA and FAA Type Certification	Q3 2017
First Deliveries	Q4 2017

*All PC-24 data is preliminary and subject to change without notice.*

FACTS AND FIGURES

# RANGE



Range 1,950 nm (3,610 km).  
Calculations are based on the following assumptions:  
4 passengers, NBAA IFR reserves of 100 nm + 30 min. VFR,  
LRC, single-pilot-operation.

# INTERIOR CONFIGURATIONS



1

## 1 EXECUTIVE (SIX-SEAT)

Make the most out of the PC-24 cabin with ample space for passengers, baggage and equipment.



2

## 2 EXECUTIVE (SIX- SEAT + TWO QUICK CHANGE)

Whenever the need arises, simply add or remove up to two seats, allowing flexible accommodations for six to eight passengers.



3

## 3 EXECUTIVE (EIGHT-SEAT)

Fill every seat of the plane and still take advantage of an impressive baggage compartment and comfortable seating.



4

## 4 COMMUTER

A true workhorse, it will transport passengers and their gear to the most remote locations – quickly and safely.



5

## 5 COMBI

Whether it's a critical spare part or simply your motorbikes – travel in style and leave nothing behind.



6

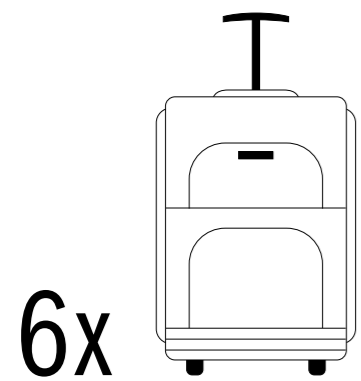
## 6 CARGO

So many options: ambulance operations, special missions, cargo – let us know how you plan to use the PC-24's cabin.

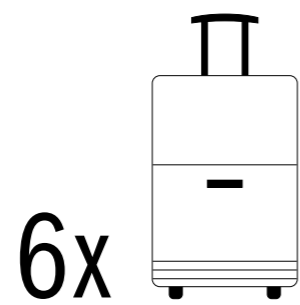


FACTS AND FIGURES

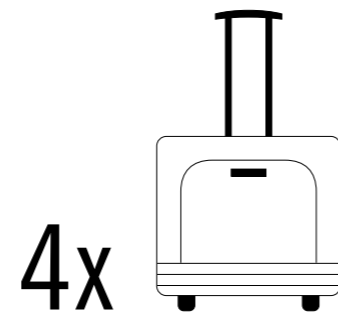
# NUMBERS ARE ESSENTIAL, THEIR MEANING EVEN MORE



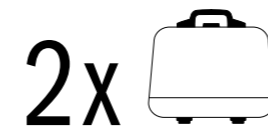
BIG SUITCASE



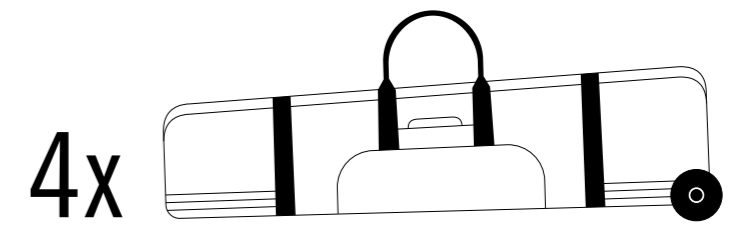
MEDIUM SUITCASE



CABIN BAGGAGE



BEAUTY CASE



GOLFBAG

**PACK YOUR BAGS AND LET'S FLY.**

*Number of luggage pieces (illustrative) that fit into the baggage compartment.*

CONTACT US

# FLY CRYSTAL CLASS

PLEASE CONTACT US FOR  
MORE INFORMATION.

Phone +41 41 619 67 00  
[pc-24sales@pilatus-aircraft.com](mailto:pc-24sales@pilatus-aircraft.com)  
[www.pilatus-aircraft.com](http://www.pilatus-aircraft.com)

